

IAME

Parilla

X30 125cc RL - TaG



**ASSEMBLY INSTRUCTIONS
&
USER MANUAL**

I N D E X

| | Page | |
|------------------|---|-----------|
| Section 1 | <u>DESCRIPTION OF THE “Parilla X30 125cc RL - TaG” ENGINE</u> | 1 |
| 1.1. | Main features | 1 |
| 1.2. | Engine characteristics / Operational limits | 2 |
| 1.3. | Contents of packing | 3 |
| 1.4. | Accessories | 4 |
| 1.5. | Motor identification number | 5 |
| Section 2 | <u>PREPARATION & INSTALLATION OF THE ENGINE ON THE CHASSIS</u> | 6 |
| 2.1. | Installation sketch of the engine on the chassis | 6 |
| 2.2. | Install the water-cooling system | 7 |
| 2.3. | Exhaust header assembly | 11 |
| 2.4. | Preparation and installation of the motor-mount | 11 |
| 2.5. | Install the carburetor | 12 |
| 2.6. | Install the engine on the chassis | 13 |
| 2.7. | Install the clutch cover with H.T. coil | 14 |
| 2.8. | Electrical connections on the engine | 15 |
| 2.9. | Install the intake silencer | 20 |
| 2.10. | Install the exhaust | 21 |
| Section 3 | <u>ENGINE USE</u> | 22 |
| 3.1. | Charging of the oil in the gear box | 22 |
| 3.2. | Gasoline and oil | 22 |
| 3.3. | Carburetor adjustment guide | 23 |
| 3.4. | Starting and stopping the engine | 24 |
| 3.5. | Engine break-in | 25 |
| 3.6. | RPM limitation | 25 |
| 3.7. | Inlet silencer | 25 |
| 3.8. | Recommendations on the exhaust system | 26 |
| 3.9. | Recommendations on the battery | 27 |
| 3.10. | Warnings on the electrical system | 28 |
| 3.11. | Spark plug and thermal degree | 29 |
| 3.12. | Choice of the sprocket ratio | 30 |
| Section 4 | <u>ENGINE BASIC MAINTENANCE</u> | 32 |
| 4.1. | Recommendations on the clutch | 32 |
| 4.2. | Instructions for the clutch assembly/disassembly | 33 |
| 4.3. | Gear timing schematic | 34 |
| 4.4. | Replacement of the starter brushes | 35 |
| 4.5. | Scheduled maintenance | 41 |
| 4.6. | Troubleshooting | 42 |
| 4.7. | Engine and accessories preservation | 43 |
| 4.8. | Fastener Torque Table | 43 |
| | Wiring diagram | 44 |

Section 1 - DESCRIPTION OF THE “Parilla X30 125cc RL - TaG” ENGINE

1.1 MAIN FEATURES

The “Parilla X30” has been expressly designed and tuned for powering the karts for hobby racing on closed tracks destined for this specific purpose.

When designing this new engine, we have considered the technical solutions already adopted for the high performance engines, and the experience acquired with the TaG engines (Touch and Go). This in order to guarantee the highest reliability of components, when the operating limits are respected.

This engine is a 2 stroke single cylinder.

The cylinder and the crankcase are in aluminium alloy.

The pressed liner is made of centrifugated cast iron, fully machined to guarantee the best possible stability and sliding surface.

The head is separated from the cylinder and secured by 4 studs.

The crankshaft is built and supported by two ball-bearings. The crankshaft is of steel alloy, hardened and tempered, as the connecting rod, machined from the full, which runs on roller bearings.

The crankcase houses a balance shaft, driven by two gears, which rotates opposite to the crankshaft thus reducing the engine vibrations.

The digital ignition with capacitive discharge is fed by a magneto which generates the spark energy for the starting of the engine, supplies the advance timing through an integrated pick-up and recharges the battery.

The ignition includes a digital electronic unit (power-pack), the stator-rotor, the starter relay, the H.T. coil, a switch key assembly, and the wiring harness (with a 5A fuse) which connects the whole system.

The electronic box which controls the advance, the rev. limitation and the engine start/stop logic , integrates the voltage regulator and the ignition circuit.

The starter relay (Solid type SSR), protected from short-circuits, supplies the power for the electric starter and is controlled by the power pack.

An RPM limiter, integrated in the power pack, prevents the engine from exceeding 15500 RPM during use.

The spark is generated also without a battery; it is therefore possible, in case of emergency, to start the engine with an external starter unit.

With the starter key in “RUN” position, the starter activates a Bendix type gear which engages the starter ring assembled on the clutch.

The engine is provided with an automatic dry centrifugal clutch with low maintenance and with interchangeable sprocket.

The carburetor is a diaphragm carburetor, specially designed for this engine and includes an integral fuel pump filter and an all position mounting capability.

The battery (12 V- 7.2Ah) is a sealed, no maintenance battery and is supplied already preassembled, in the power-pack support box which can be easily adapted to all existing chassis.

The exhaust, included in the supply, is already tuned for the best possible performance.

The engine is supplied with a kit which includes the radiator, the pump, water hoses and whatever necessary for the assembly on the kart.

1.2 CHARACTERISTICS OF THE ENGINE – OPERATIONAL LIMITS

The characteristics of the engine are the following :

- Cycle : OTTO / 2 stroke
- Original cubic capacity: 123.67 cc (125cc max.)
- Original bore: 54.00 mm
- Max. theoretical bore: 54.28 mm
- Stroke: 54.00 mm
- Lubrication : Fuel / oil mix 4% (25:1)
- Induction: Reed valve in the crankcase
- Carburetor: Membrane (TRYTON HOBBY Ø27)
- Cooling : Water , forced
- Ignition : Digital / with integrated rev. limiter
- Battery charge: With integral generator
- Electric start: 12V/0.30 Kw
- Clutch: Automatic, dry, centrifugal

Operational limits:

- **Max. RPM:** 15500 RPM (with rev. limiter)
- **Min. water temperature:** 45°C
- **Temperatura max. acqua:** 65°C



ATTENTION:

Never exceed the above limits; no obligation of IAME exists in case the above limits are exceeded.

1.3 CONTENTS OF THE PACKING

Each "Parilla X30" engine is supplied with the accessories under shown:

| EXHAUST SYSTEM | QuantitY |
|--------------------------------|-----------------|
| • Flexible | 1 |
| • Spring for flexible | 3 |
| • Exhaust fiber strip | 1 |
| • Exhaust manifold | 1 |
| • Exhaust muffler | 1 |
| INDUCTION | |
| • TRYTON HOBBY Ø27 carburetor | 1 |
| • Intake silencer | 1 |
| ELECTRICAL PLANT | |
| • Battery 12 V | 1 |
| • Battery support | 1 |
| • Battery strip | 1 |
| • Battery fixing clamps | 2 |
| • Electronic box (power-pack) | 1 |
| • Starter relay | 1 |
| • H.T. coil | 1 |
| • Starting key assembly | 1 |
| • Fixing clamps | 8 |
| • NGK BR 10 EG spark plug | 1 |
| • Spark plug cap | 1 |
| MISCELLANEOUS | |
| • Clutch cover | 1 |
| • Starter brushes kit (refill) | 1 |
| • Dual-Lock fixing strap | 1 |
| WATER COOLING SYSTEM | |
| • Radiator | 1 |
| • Radiator support kit | 1 |
| • Water hose kit | 1 |
| • Complete pump group | 1 |
| • Thermostat | 1 |

1.4 ACCESSORIES



EXHAUST SYSTEM



BATTERY WITH SUPPORT



NGK SPARK PLUG



STARTER BRUSHES KIT



COMPLETE ELECTRIC ASSEMBLY



CLUTCH COVER / H.T. COIL



THERMOSTAT



TRYTON HOBBY CARBURETOR



INTAKE SILENCER



RADIATOR SUPPORT KIT



COMPLETE PUMP ASSEMBLY



WATER HOSE KIT



RADIATOR

1.5 MOTOR IDENTIFICATION NUMBER

The official motor identification number can be found stamped on the lower left part of the crankcase, next to the electric starter (see fig.). The number normally includes a letter followed by 4 digits (there can be exceptions in some special cases). Other numbers stamped on the crankcase or other surfaces of the motor refer to various manufacturing processes and do not identify the motor.

NOTE:

In case of need for spares and when contacting the IAME Support Centers, please always refer to the Motor Identification Number and to the motor model.



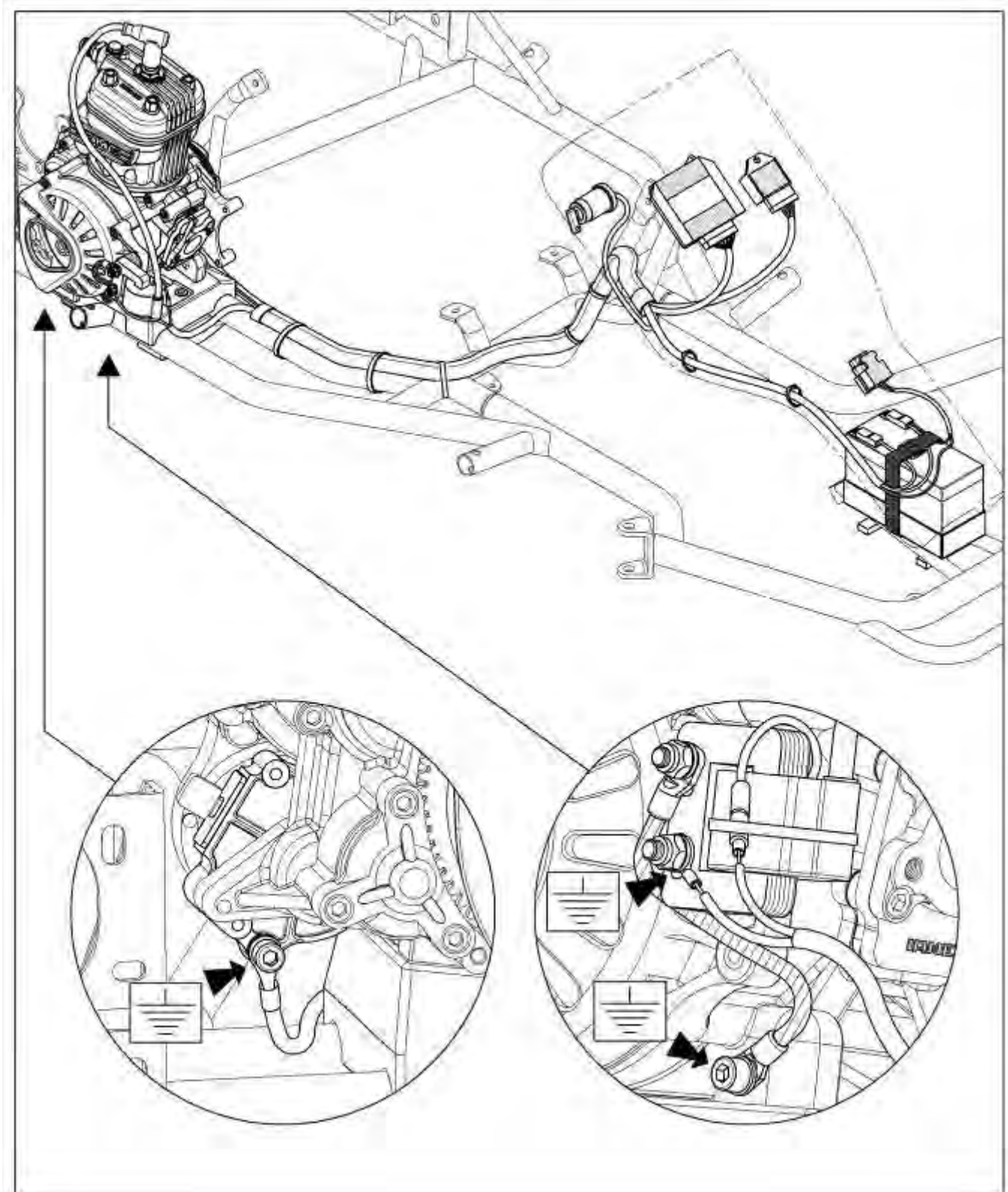
Section 2 - PREPARATION AND INSTALLATION OF THE ENGINE ON THE CHASSIS

NOTE:

In case the engine is supplied already assembled on the chassis, it is at care of the assembler to follow these instructions. The final customer, in this case, can skip this section and can start reading from section 3.

Whenever the engine or a component is disassembled, it is necessary to always follow the under shown instructions for proper reassembly.


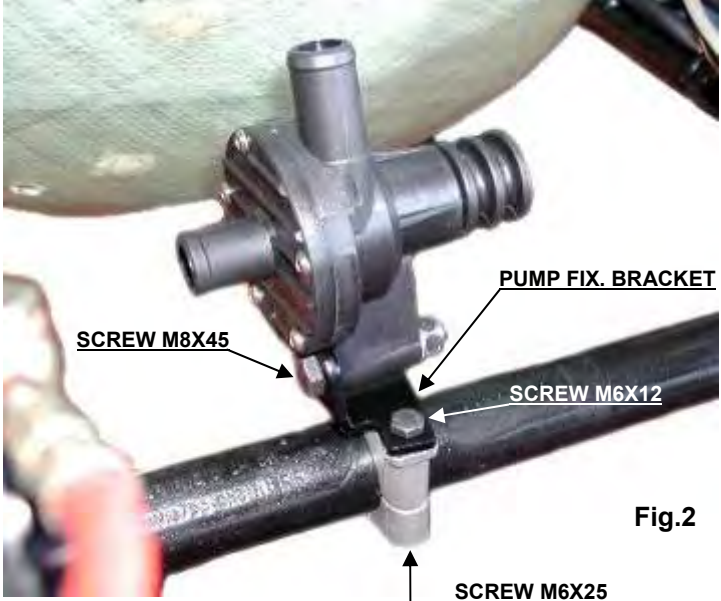

2.1 INSTALLATION SKETCH OF THE ENGINE ON THE CHASSIS




2.2 INSTALL THE WATER COOLING SYSTEM


NOTE:


To install the water pump belts it is necessary to remove the rear axle.

| | | |
|-----------------|---|--|
| <p>1</p> | <p>REINSTALL THE REAR AXLE AFTER HAVING INSERTED TWO BELTS.</p> <p>SUGGESTION: INSTALL OTHER TWO BELTS AS SPARES AND FIX THEM WITH TAPE TO THE AXLE.</p> | <p>Fig.1</p>  |
| <p>2</p> | <p>INSTALL THE WATER PUMP (1 SCREW M8x45 WITH WASHER AND NUT) ON THE PUMP BRACKET ON THE REAR CROSS RAIL (SEE FIG. 1). TORQUE AT 18÷22 Nm (160 ÷190 in-lb).</p> <p>IN CASE THERE IS NO BRACKET FOR THIS PURPOSE, IT IS NECESSARY TO INSTALL THE PUMP ON REMOVABLE CLAMPS AVAILABLE IN DIFFERENT DIAMETERS (Ø28/30/32mm).</p> <p>ASSEMBLE THE PUMP FIXING BRACKET ON THE CLAMP (N°2 SCREWS M6x12) AND PLACE THE CLAMPS ON THE REAR CROSS RAIL (N°2 SCREWS M6x25). INSTALL THE PUMP ON THE BRACKET (N°1 SCREW M8x45 WITH WASHER AND NUT – SEE FIG. 2). TIGHTEN BY HAND THE SCREW ON THE PUMP LETTING IT FREE TO ROTATE, FOR THE ALIGNMENT AND TENSIONING OF THE BELTS.</p> |  <p>Fig.2</p> |
| <p>3</p> | <p>INSTALL ON THE AXLE THE DRIVING PULLEY (2 CLAMPS AVAILABLE IN DIFFERENT DIAMETERS Ø30/35/40/50mm) ALIGNING ITS RACE WITH THE DRIVEN PULLEY ON THE PUMP (SEE FIG.3). FIX THE TWO CLAMPS WITH 2 SCREWS M5x22 (TIGHTEN AT 6÷8 Nm) (50 ÷ 70 in-lb). TIGHTEN THE TWO SCREWS M6x25 ON THE PUMP FIXING CLAMPS AND THE SCREWS M6x12 ON THE PUMP FIXING BRACKET. TIGHTEN AT 8÷10 Nm (70 ÷ 90 in-lb)</p> |  <p>Fig.3</p> |

| | | |
|-----------------|---|--|
| <p>4</p> | <p>INSTALL THE BELTS AND TENSION (SEE FIG. 4). TIGHTEN THE SCREW M8x45. TORQUE AT 18±22 Nm (160 ±190 in-lb)</p> |  <p>Fig.4</p> |
|-----------------|---|--|

BEFORE INSTALLING THE RADIATOR PREASSEMBLE THE FOLLOWING COMPONENTS

| | | |
|-----------------|--|---|
| <p>5</p> | <p>INSERT THE 4 RUBBER DAMPENERS INTO THE FIXING HOLES ON THE RADIATOR (SEE FIG. 5).</p> |  <p>RUBBER DAMPENER</p> <p>Fig.5</p> |
|-----------------|--|---|

| | |
|---|---|
| <p>6</p> <p>- PLACE THE RADIATOR SUPPORT BRACKET BETWEEN THE RADIATOR FIXINGS BY TILTING ONE END AND INSERTING IT THROUGH THE RUBBER DAMPENERS (SEE FIG. 6).</p> <p>NOTE: OIL THE BRACKET ENDS AND THE DAMPENERS HOLES.</p> |  <p>RADIATOR SUPPORT BRACKET</p> <p>Fig.6</p> |
|---|---|

- COMPLETE INSERTION OF THE RADIATOR SUPPORT BRACKET IN THE RUBBER DAMPENERS (SEE FIG. 7 AND 8).

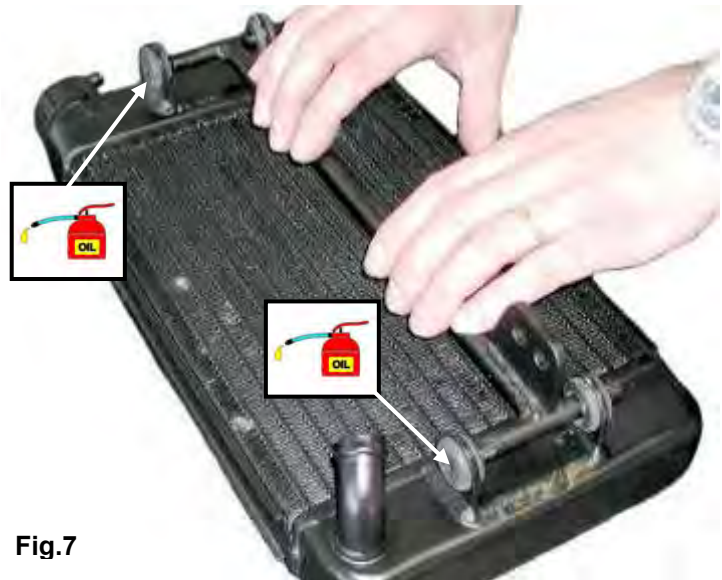


Fig.7



Fig.8

7

FIX THE RADIATOR SUPPORT BRACKET INSERTING ALSO THE RADIATOR FIXING BRACKET (RADIATOR CAP SIDE - N°1 SCREW M6x90 AND N°1 SCREW M6x85 WITH NUT).
 INSTALL THE "L" SHAPE BRACKET ON THE LOWER RADIATOR CLAMP (AVAILABLE IN DIFFERENT DIAMETERS Ø28/30/32mm - 2 SCREWS M6x12) AND FIX IT TO THE TONGUE ON THE RADIATOR SUPPORT BRACKET (N°1 SCREW M8x20 WITH NUT - SEE FIG. 9).

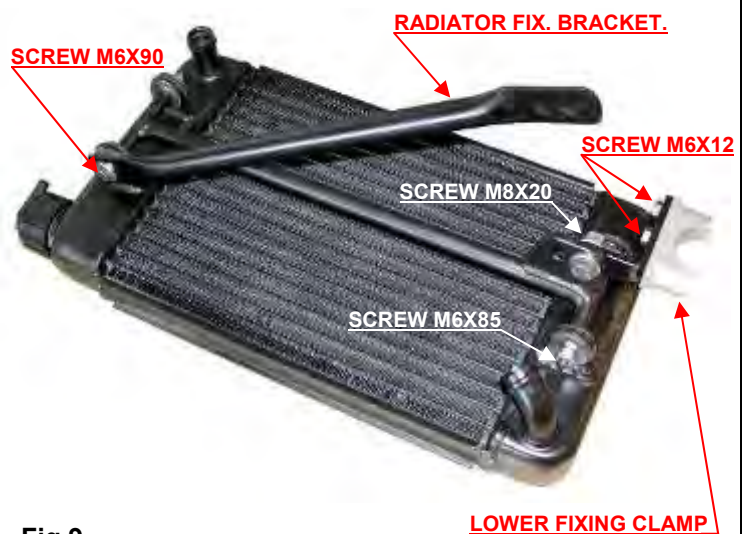



Fig.9

| | | |
|------------------|--|---|
| <p>8</p> | <p>PLACE THE RADIATOR FIXING CLAMP ON THE CHASSIS SIDE RAIL (BRAKE SIDE) (N°2 SCREWS M6x25). TIGHTEN THE BOLTS BY HAND (SEE FIG. 10).</p> <p>PLACE THE RADIATOR SO THAT THE HOLE ON THE RADIATOR BRACKET AND ONE OF THE UPPER HOLES ON THE BEARING SUPPORT BOX , MATCH (N°1 SCREW M8) ONCE YOU FIND THE CORRECT POSITION TIGHTEN THE M6x25 SCREWS ON THE LOWER CLAMP FIXING THE RADIATOR. TIGHTEN AT 8÷10 Nm (70 ÷90 in-lb).</p> |  <p>Fig.10</p> |
| <p>9</p> | <p>THE KIT INCLUDES THREE RUBBER HOSES</p> <p>- CONNECT THE FIRST HOSE TO THE FITTING ON THE RADIATOR INLET AND THE FITTING ON THE ENGINE OUTLET, <u>TIGHTEN WITH STEEL CLAMPS ON BOTH SIDES.</u></p> <p>- CONNECT THE SECOND HOSE TO THE FITTINGS ON THE RADIATOR OUTLET AND THE PUMP INLET, <u>TIGHTEN WITH STEEL CLAMPS ON BOTH SIDES.</u></p> <p>- CONNECT THE THIRD HOSE TO THE FITTINGS ON THE PUMP OUTLET AND THE ENGINE INLET. <u>TIGHTEN WITH STEEL CLAMPS ON BOTH SIDES.</u> (SEE FIG. 11).</p> |  <p>Fig.11</p> |
| <p>10</p> | <p>TO INSTALL THE THERMOSTAT REGULATING THE WATER TEMPERATURE CUT THE HOSE CONNECTING THE FITTING ON THE RADIATOR INLET AND THE FITTING ON THE ENGINE OUTLET. INSTALL THE THERMOSTAT SO THAT THE ARROW IS TURNED TOWARDS THE RADIATOR (SEE FIG. 12). <u>TIGHTEN WITH STEEL CLAMPS ON BOTH SIDES.</u></p> |  <p>Fig.12</p> |

BEFORE STARTING THE ENGINE, FOLLOW THESE RECOMMENDATIONS:

- Unscrew the cap on the radiator and loosen the breather plug on the engine head.
- Fill the radiator until the water comes out from the plug (there is no air in the system now) and the radiator is completely filled. Tighten the cap (the system contains appr. 1 lt. of water).
- **It is advisable to put a small cup to recover water from the breather on the cap in case of boiling water.**
- **After the engine run-in, check the water level in the radiator and top up if necessary.**

2.3

EXHAUST HEADER ASSEMBLY

NOTE:

THE ENGINE IS SUPPLIED WITH THE EXHAUST GASKET AND NUTS ALREADY INSERTED. WHEN THE SHIPMENT IS MADE THE INTERNAL PARTS OF THE ENGINE ARE PROTECTED BY A BLIND GASKET. (SEE FIG. 1).

2.3.1 REMOVE THE NUTS AND THE EXHAUST COVER.

Fig.1



2.3.2 MAKE SURE THE EXHAUST GASKET IS IN SEAT AND INSTALL THE EXHAUST HEADER (SEE FIG 2).



2.3.3 INSTALL THE TWO WASHERS 8mm.

2.3.4 INSTALL THE TWO 2 NUTS M8.
TORQUE AT 18 ÷ 22 Nm (160 ÷ 190 in-lb)

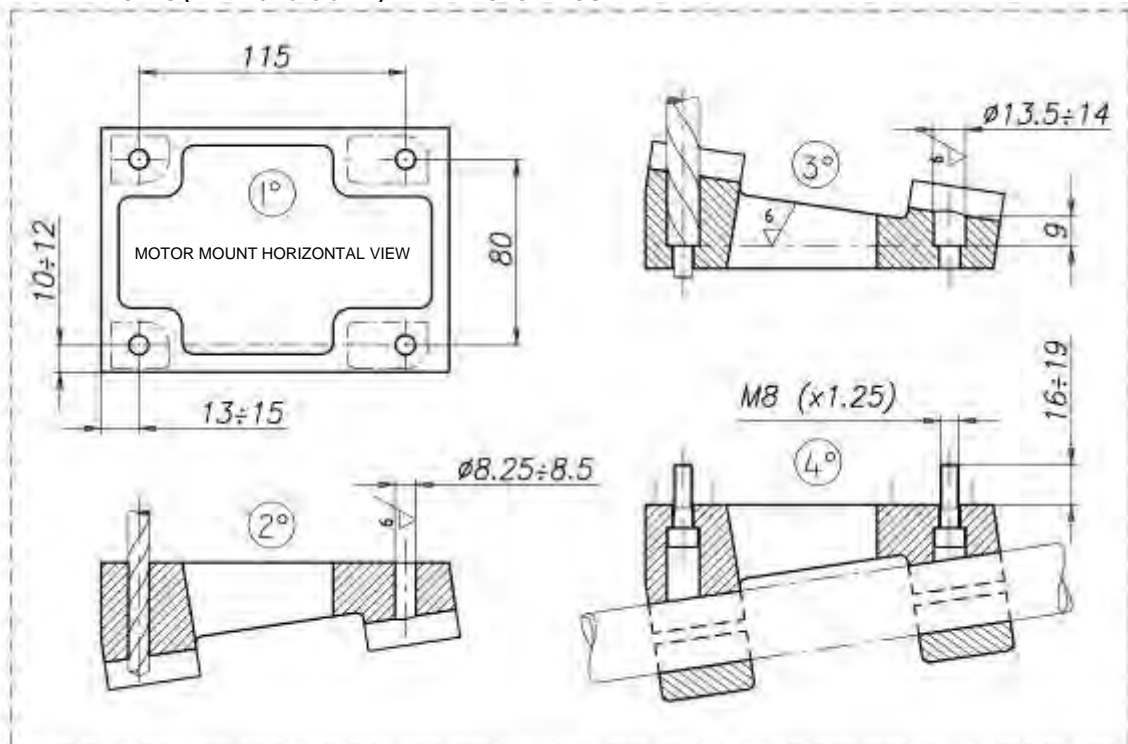
13mm SOCKET WRENCH OR (13 mm OPEN WRENCH)

2.4

PREPARATION AND INSTALLATION OF THE MOTOR-MOUNT

NOTE: ALL THE DIMENSIONS ARE IN MILLIMETERS

2.4.1 DRILL 4 HOLES (DIAM. 8.25÷8.5mm) IN THE MOTOR-MOUNT .



2.4.2 INSTALL THE MOTOR-MOUNT, MAKE SURE TO USE THE M8 ALLEN SCREWS, WITH A LENGTH SUCH AS TO ENGAGE, IN THE CRANKCASE, A THREADED LENGTH OF 16÷19mm (THE SCREW MUST PROTRUDE FROM THE PLATE FOR 16÷19mm) (SEE FIG. 3 AND DRAW. PAG. 11)

4 ALLEN SCREWS M8–TORQUE AT 22÷24 Nm (190 ÷ 210 in-lb)

6 mm ALLEN WRENCH

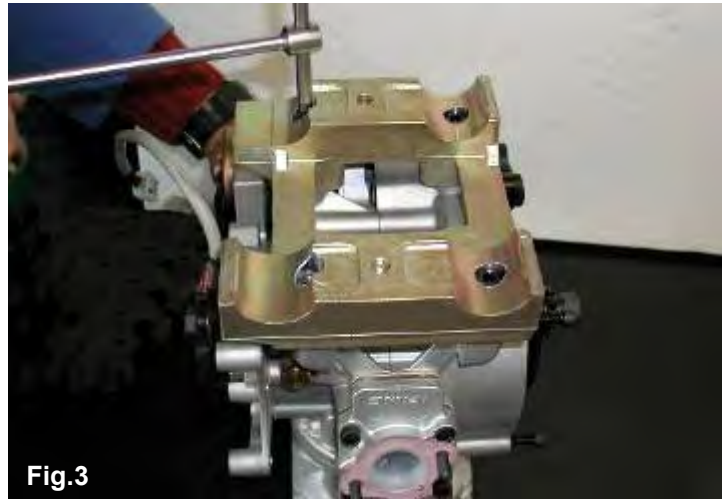


Fig.3

2.5 INSTALL THE CARBURETOR

2.5.1 REMOVE THE PLASTIC PLUG FROM THE INLET MANIFOLD (SEE FIG. 4).



ATTENTION:
MAKE SURE THAT THE PRESSURE HOLE ON THE GASKET IS NOT PLUGGED.

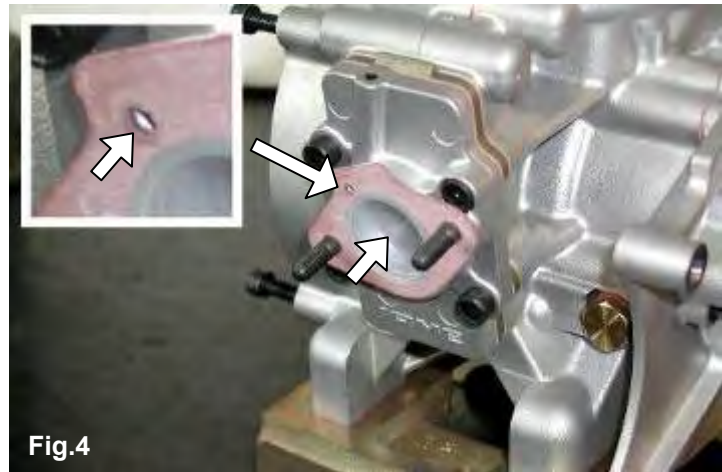


Fig.4

2.5.2 INSTALL THE CARBURETOR.
TWO 2 NUTS M6 AND TWO WASHERS
(SEE FIG. 5).
TORQUE AT 6 ÷ 10 Nm (50÷ 90 in-lb)

5 mm ALLEN



ATTENTION:
WHEN REPLACING THE CARB GASKET ALWAYS MAKE SURE THAT THE GASKET IS INSTALLED SO THAT THE HOLE IN THE GASKET MATCHES WITH THE TWO PRESSURE HOLES IN THE CARB. AND IN THE CRANKCASE. OTHERWISE THE ENGINE WON'T START.



Fig.5

2.6 INSTALL THE ENGINE ON THE CHASSIS

2.6.1 POSITION THE ENGINE ON THE TWO OUTSIDE MAIN RAILS AND FIX THE MOTOR-MOUNT WITH TWO CLAMPS (SEE FIG. 6)

SUGGESTION:
NEVER TORQUE COMPLETELY THE CLAMPS UNTIL THE CHAIN IS INSTALLED AND PROPERLY ALIGNED.



Fig.6

2.6.2 CHECK THE ALIGNMENT OF THE ENGINE SPROCKET AND THE AXLE SPROCKET WITH A STRAIGHT EDGE (SEE FIG. 7).




Fig.7

2.6.3 INSTALL THE CHAIN (PITCH: 7.775) (SEE FIG. 8).



Fig.8

2.6.4 MOVE THE ENGINE ON THE RAILS AND OPTIMIZE THE CHAIN TENSION .

** ATTENTION:
THE PLAY OF THE CHAIN MUST BE APPR. 15mm (1/2+3/4), MEASURED IN THE SHOWN POINT (SEE FIG. 9).**

2.6.5 TORQUE THE CLAMP SCREWS

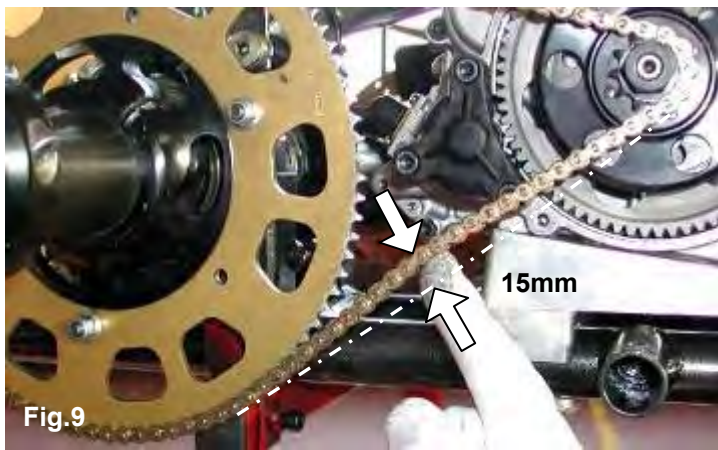


Fig.9

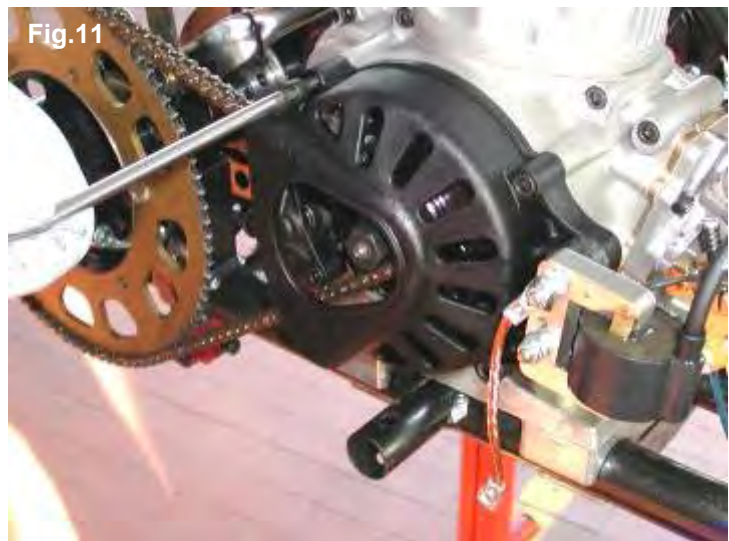
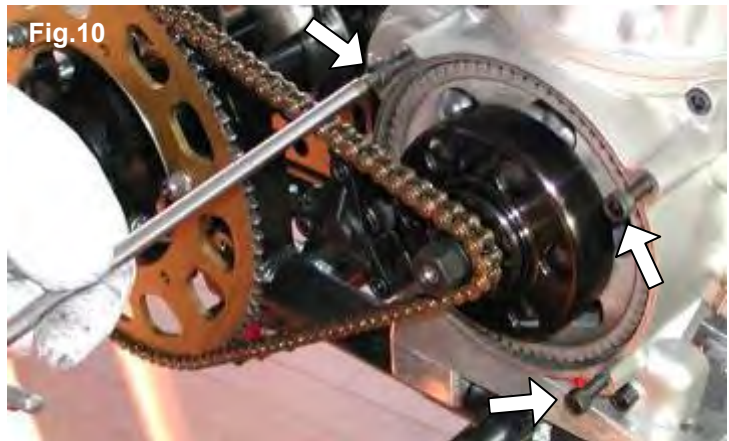
2.7 INSTALL THE CLUTCH COVER WITH H.T. COIL

2.7.1 REMOVE THE 3 SCREWS M6x25 ON THE CRANKCASE (SEE FIG.10) AND INSTALL THE CLUTCH COVER WITH H.T. COIL. (SEE FIG.11).

TORQUE THE 3 SCREWS AT 8 ÷ 10 Nm (70÷ 90 in-lb).

NOTE:
IF AN HORIZONTAL MOTOR-MOUNT IS USED CHECK AND SEE IF THERE IS SUFFICIENT SPACE BETWEEN THE CHAIN AND THE UPPER PART OF THE CLUTCH COVER. IF THIS IS LOWER THAN 6÷7 mm WIDEN THE CHAIN OPENING WITH A FILE . TO CHECK THIS WE SUGGEST TO INSTALL THE SPROCKET WITH THE HIGHEST AVAILABLE TOOTH NUMBER

5 mm ALLEN



2.7.2 CONNECT THE COIL COPPER CABLE ON THE HOLE ON THE CRANKCASE (SCREW M6x12 - SEE FIG. 12). TORQUE AT 8 ÷ 10 Nm (70 ÷ 90 in-lb)

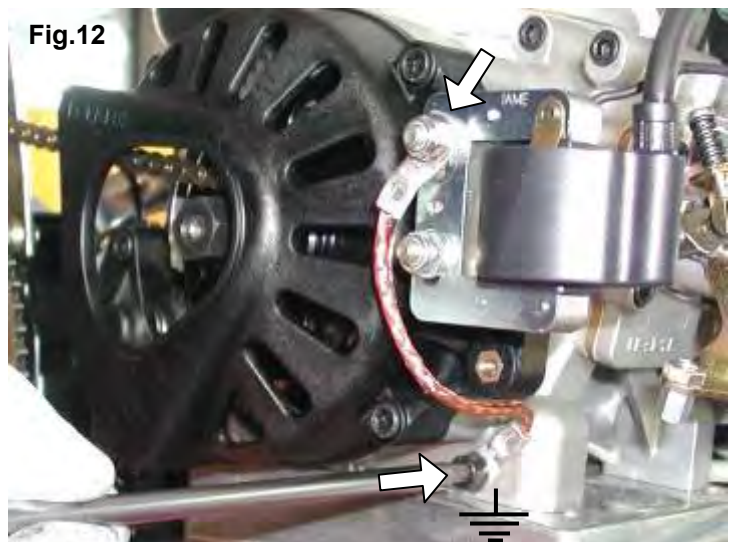


ATTENTION:

ALWAYS MAKE SURE THAT THE GROUND CABLE ALWAYS CONNECTS THE COIL WITH THE ENGINE. AN INADEQUATE GROUNDING COULD DAMAGE THE IGNITION BEYOND REPAIR.

THE POSITION OF THE H.T. COIL HAS BEEN CHOSEN TO BE AS FAR AS POSSIBLE FROM THE EXHAUST AS THE EXCESSIVE HEAT COULD DAMAGE THE COIL BEYOND REPAIR.

5 mm ALLEN



2.8

ELECTRICAL CONNECTIONS
(Refer to the attached electrical schematic).

NOTE:
For a correct installation follow the under shown instructions.

Fig.13



2.8.1 INSERT THE BATTERY STRAP IN THE BATTERY SUPPORT (SEE FIG. 13).

2.8.2 PLACE THE BATTERY SUPPORT BOX IN THE FRONT OF THE CHASSIS (UNDER THE FRONT FAIRING) AND FIX IT WITH THE CLAMPS TO THE LOWER STEERING COLUMN SUPPORT TUBES (M6x25 SCREWS- SEE FIG. 14).
TORQUE AT 8 ÷ 10 Nm (70÷ 90 in-lb)
THE SUPPORT BOX MUST BE FIXED WITH AT LEAST ONE BOLT FOR EACH CLAMP. FIX THE BOX WITH MORE THAN ONE BOLT DEPENDING ON THE TYPE OF CHASSIS.


10mm BOX WRENCH

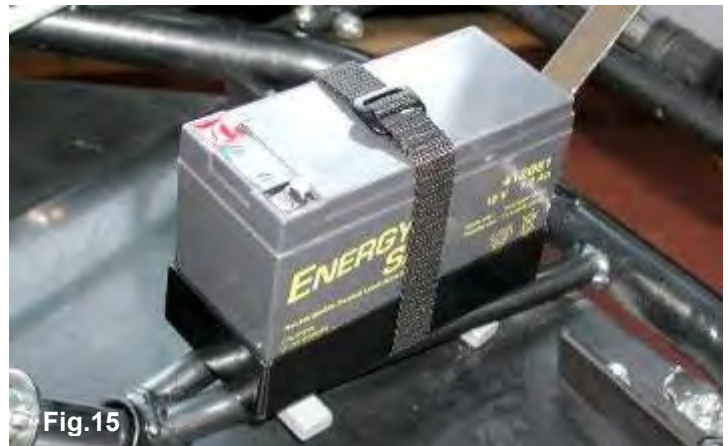
Fig.14



NOTE:
THE BOX AND CLAMPS ARE PROVIDED WITH VARIOUS HOLES WHICH ALLOW INSTALLATION ON ALL KIND OF CHASSIS.

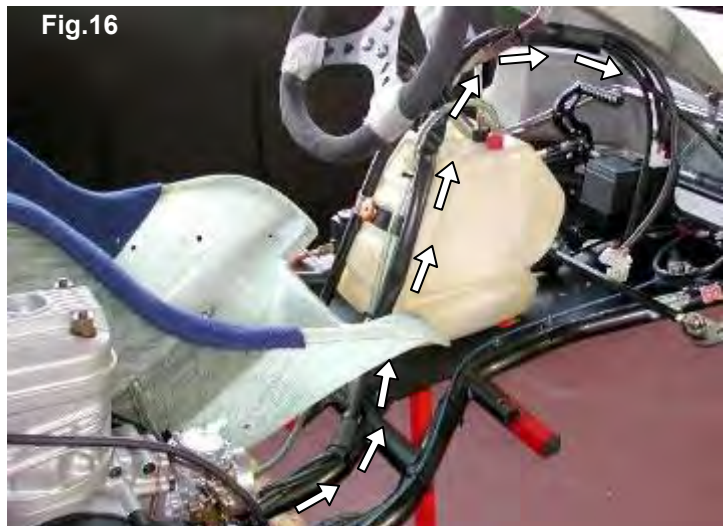
2.8.3 INSERT THE BATTERY IN THE BOX AND FASTEN WITH THE BATTERY STRAP (SEE FIG. 15).
POSITION THE BATTERY TERMINALS AS SHOWN ON THE FIGURE.


 **ATTENTION:**
PAY ATTENTION NOT TO SHORT-CIRCUIT THE BATTERY TERMINALS AS THE BATTERY COULD BE DAMAGED BEYOND REPAIR.



2.8.4 POSITION THE WIRING HARNESS STARTING FROM THE ENGINE AND ALONG THE RAIL, THE STEERING COLUMN AND UNDER THE FRONT PANEL FAIRING (SEE FIG. 16).
TIGHTEN WITH PLASTIC CLAMPS.

Fig.16



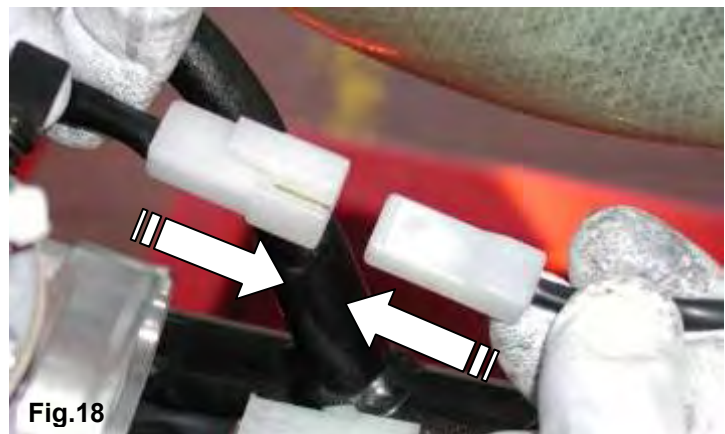
 **ATTENTION:**
NEVER LET THE HARNESS GET IN TOUCH WITH THE GROUND OR WITH ROTATING PARTS AS IT COULD BE DAMAGED BEYOND REPAIR.

2.8.5 –CONNECT THE TERMINAL FROM THE IGNITION WITH THE 8 POLE TERMINAL ON THE HARNESS SEE FIG. 17).

-CONNECT THE ONE WAY TERMINAL FROM THE ELECTRIC STARTER WITH THE ONE WAY TERMINAL ON THE HARNESS (SEE FIG. 18).



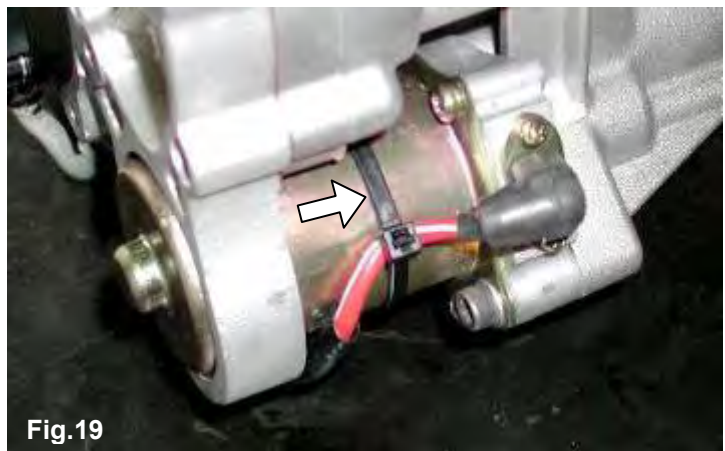
ATTENTION:
MAKE SURE THAT THE FIXING TONGUES ARE PROPERLY INSERTED TO GUARANTEE THE BEST POSSIBLE CONNECTION OF THE TERMINALS.



2.8.6 FASTEN THE CABLE FROM THE ELECTRIC STARTER TO THE STARTER BODY WITH A PLASTIC CLAMP (SEE FIG. 19).



ATTENTION:
THIS OPERATION IS EXTREMELY IMPORTANT OTHERWISE THE RESIDUAL ENGINE VIBRATIONS COULD DAMAGE THE ELECTRIC STARTER INNER CONNECTIONS BEYOND REPAIR.



2.8.7 PLACE THE HARNESS GROUND CABLE WITH THE EYELET TERMINAL (Ø 6.5mm), BEHIND THE ENGINE (SEE FIG. 20).



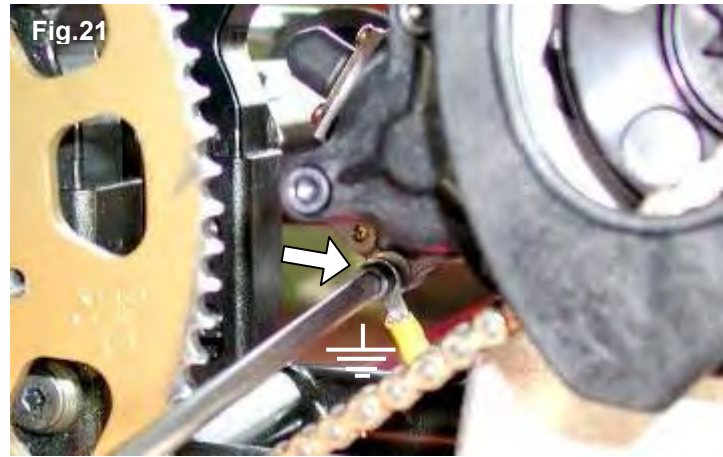
2.8.8 FIX THE GROUND CABLE TO THE ELECTRIC STARTER BY MEANS OF THE M6x12 SCREW (ALREADY ON THE ENGINE SEE FIG. 21).
TORQUE AT 8 ÷ 10 Nm (70 ÷90 in-lb)



ATTENTION:
THIS OPERATION IS EXTREMELY IMPORTANT AS AN UNCERTAIN GROUNDING COULD DAMAGE THE POWER-PACK BEYOND REPAIR.

5 mm ALLEN

Fig.21



2.8.9 FIX THE EYELET TERMINAL (Ø 6.5mm), OF THE SECOND GROUND CABLE IN THE HARNESS (CLOSE TO THE COIL CABLE) TO THE H.T. COIL. BY MEANS OF THE M6 NUT FIXING THE COIL (SEE FIG. 22).
TORQUE AT 8 ÷ 10 Nm (70 ÷90 in-lb)



ATTENTION:
THIS OPERATION IS EXTREMELY IMPORTANT AS AN UNCERTAIN GROUNDING COULD DAMAGE THE POWER PACK BEYOND REPAIR.

10mm BOX WRENCH

Fig.22



2.8.10 CONNECT THE H.T. COIL CABLE TO THE HARNESS TERMINAL (SEE FIG. 23).



ATTENTION:
FASTEN THE COIL CABLE WITH A PLASTIC CLAMP TO AVOID THAT EVENTUAL VIBRATIONS MIGHT DISCONNECT THE TERMINALS (SEE FIG. 24).

Fig.23

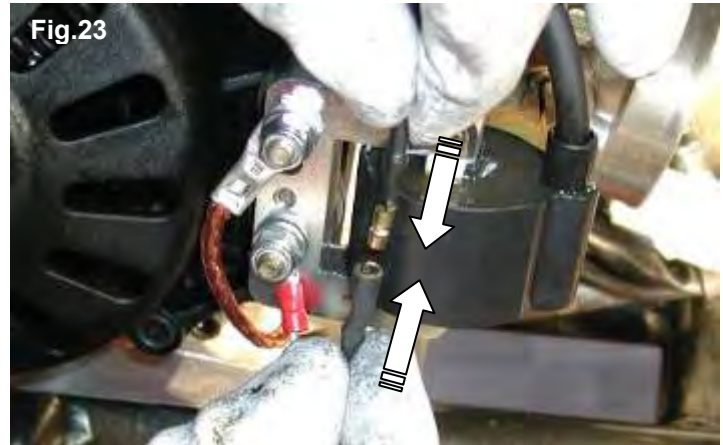
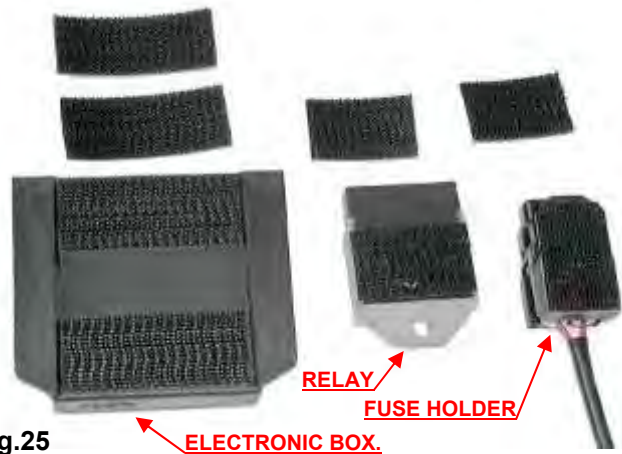


Fig.24




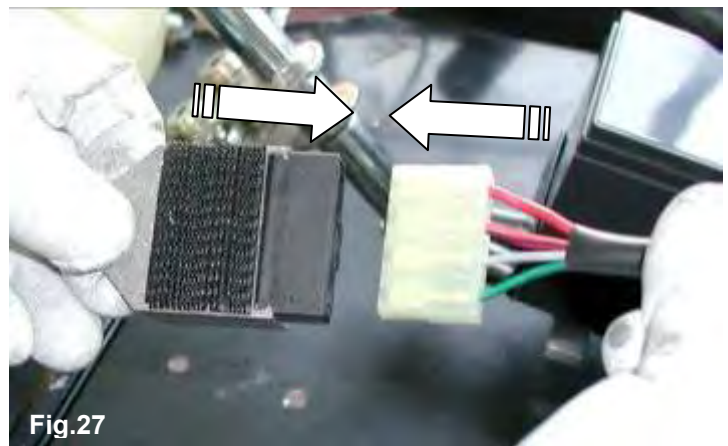
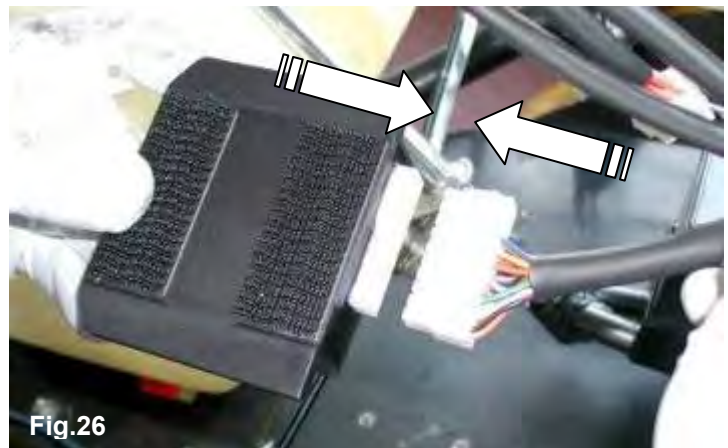
2.8.11 CUT THE DUAL-LOCK FIXING STRAP AND ATTACH IT TO THE ELECTRONIC BOX, THE STARTER FUSE, AND THE FUSE HOLDER (SEE FIG.25).



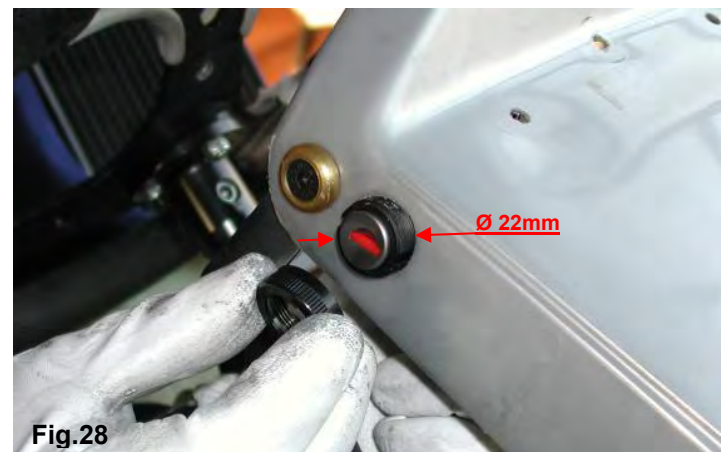
2.8.12 -CONNECT THE ELECTRONIC BOX TO THE 20 POLE TERMINAL IN THE WIRING HARNESS (SEE FIG. 26).

-CONNECT THE STARTER RELAY TO THE 4 POLE TERMINAL IN THE WIRING HARNESS (SEE FIG. 27).

 **ATTENTION:**
MAKE SURE THAT THE FIXING TONGUES ARE PROPERLY INSERTED TO GUARANTEE THE BEST POSSIBLE CONNECTION OF THE TERMINALS.



2.8.13 DRILL A Ø 22mm HOLE IN THE SIDE OF FRONT FAIRING (ENGINE SIDE) AND INSERT THE STARTING ASSEMBLY (SEE FIG. 28). SECURE THE ASSEMBLY WITH THE THREADED RING NUT.

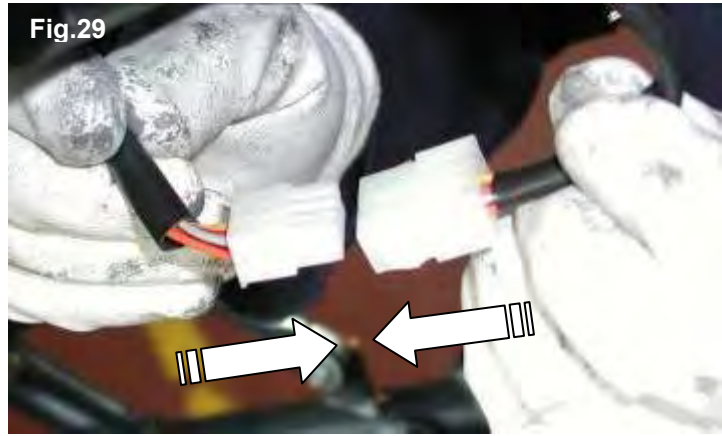


2.8.14 CONNECT THE CABLE FROM THE STARTING ASSEMBLY WITH THE 8 POLE TERMINAL IN THE WIRING HARNESS (SEE FIG. 29).



ATTENTION:
MAKE SURE THAT THE FIXING TONGUES ARE PROPERLY INSERTED TO GUARANTEE THE BEST POSSIBLE CONNECTION OF THE TERMINALS.

Fig.29



2.8.15 ATTACH THE DUAL LOCK FIXING STRAP (CLOSE TO THE STEERING COLUMN) AND PLACE THE ELECTRONIC BOX AND THE STARTER RELAY (SEE FIG. 30).

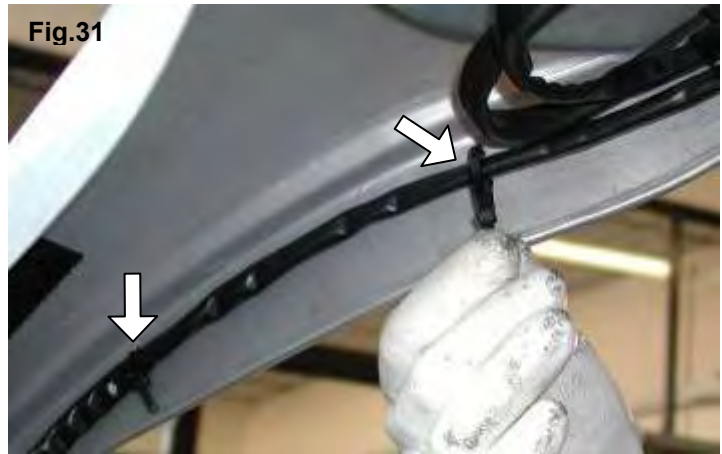
NOTE:
CLEAN AND DEGREASE THE FAIRING FIXING SURFACE WHERE THE STRAP IS TO BE PLACED TO GUARANTEE THE BEST POSSIBLE STRAP ATTACHMENT.

Fig.30



2.8.16 DRILL A FEW HOLES IN THE FAIRING TO ATTACH THE CABLES WITH PLASTIC CLAMPS (SEE FIG. 31).

Fig.31



2.8.17 ATTACH THE DUAL LOCK FIXING STRAP UNDER THE FRONT FAIRING (CLOSE TO THE BATTERY) AND PLACE THE FUSE HOLDER (SEE FIG. 32).

NOTE:
CLEAN AND DEGREASE THE FAIRING FIXING SURFACE WHERE THE STRAP IS TO BE PLACED TO GUARANTEE THE BEST POSSIBLE STRAP ATTACHMENT.

Fig.32



2.8.18 PLACE THE WIRING HARNESS BATTERY TERMINALS UNDER THE BATTERY STRP (SEE FIG. 33).

SUGGESTION:
NEVER CONNECT THE BATTERY UNTIL YOU ARE READY TO START THE ENGINE. SEAL THE BATTERY TERMINALS WITH PLASTIC TAPE TO AVOID THAT EVENTUAL VIBRATIONS MIGHT DISCONNECT THE TERMINALS.



Fig.33

2.8.19 SCREW THE SPARK CAP ON THE H.T. COIL (SEE FIG. 34).



Fig.34

2.8.20 FIX THE CAP TO THE H.T. CABLE WITH A PLASTIC CLAMP (SEE FIG. 35).

- INSTALL THE SPARK PLUG.
TORQUE AT 20 ÷ 26 Nm (175÷230 in-lb)
- INSTALL THE CAP ON THE SPARK PLUG.



Fig.35

2.9




INSTALL THE INTAKE SILENCER

-MAKE SURE THAT THE FILTER HAS THE INLET HOLES TOWARDS THE UPPER SIDE.

-FIX THE FILTER ON THE CARB. WITH A STEEL CLAMP AND THE FILTER TO THE CHASSIS SIDE RAILS WITH PLASTIC CLAMPS (SEE FIG. 36).



Fig.36

| | | |
|--------------------|--|--|
| <p>2.10</p> | <p>INSTALL THE EXHAUST NOTE: SEE SECTION 3.8 FOR THE RECOMMENDATIONS ON THE IDEAL EXHAUST LENGHT.</p> | |
| | <p>2.10.1 INSTALL THE FLEXIBLE (L= 65mm FLEXIBLE COMPLETELY CLOSED →) AND THE EXHAUST HEADER (SEE FIG. 37) AND FIT THE INSULATING SLEEVE ON THE FLEXIBLE (SEE FIG. 38).</p> | <p>Fig.37</p>  <p>Fig.38</p>  |
| | <p>2.10.2 INSERT THE FLEXIBLE ON THE EXHAUST HEADER AND FIX WITH THE 3 SPRINGS (SEE FIG. 39).</p> | <p>Fig.39</p>  |

THE ENGINE IS READY TO BE STARTED

Section 3 - USE OF THE ENGINE

3.1 CHARGING OF THE OIL IN THE GEARBOX



ATTENTION:

The engine is supplied without oil in the gear box. Before starting the engine fill the box with SAE 30 oil.

Starting the engine with a dry box will damage the gears beyond repair

- Charge of the gear box:

Put the engine in horizontal position, unscrew the oil plug (n°1 on the picture), and oil level plug (n°2 on the picture), fill with oil until it comes out from the oil level plug (appr. 40cc of oil).

Use a SAE 30 motor oil.

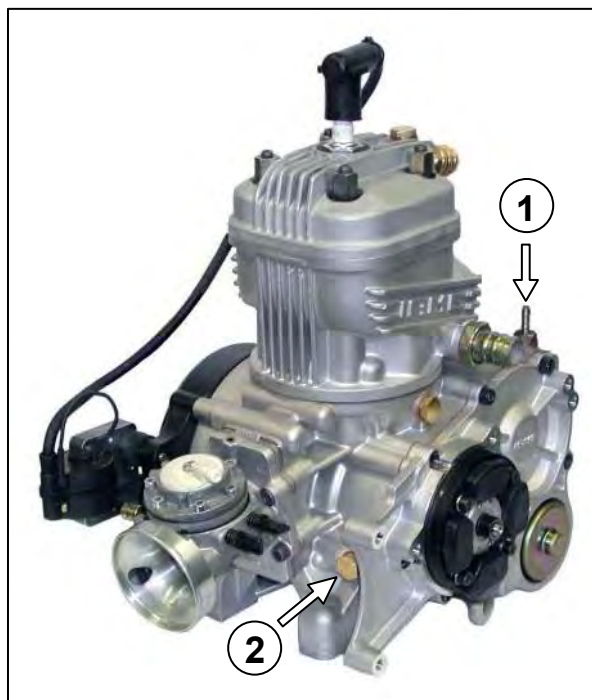
- Check the oil level

Put the engine in horizontal position and unscrew the oil level plug.

If the level is correct you should see a light outcome of oil, otherwise top up.

- Discharge the oil

Unscrew the oil level plug and loosen the charge plug. Tilt the engine to discharge the oil through the oil level plug.



3.2 GASOLINE AND OIL

Use leaded or unleaded Premium gasoline (92 $\frac{\text{RON} + \text{MON}}{2}$), mixed with oil at 4% (25:1).

Use oils containing Castor Oil which guarantees an optimized lubrication at high temperature.

As on the other hand, use of Castor Oils creates gummy residues which give origin to carbon deposits, it is necessary to check and clean, at least every 5 ÷ 10 hours, the piston and the head.

Our experience dictates use of oils, such as:

- SHELL ADVANCE RACING M
- ELF HTX 909
- ERG K KART FORMULA

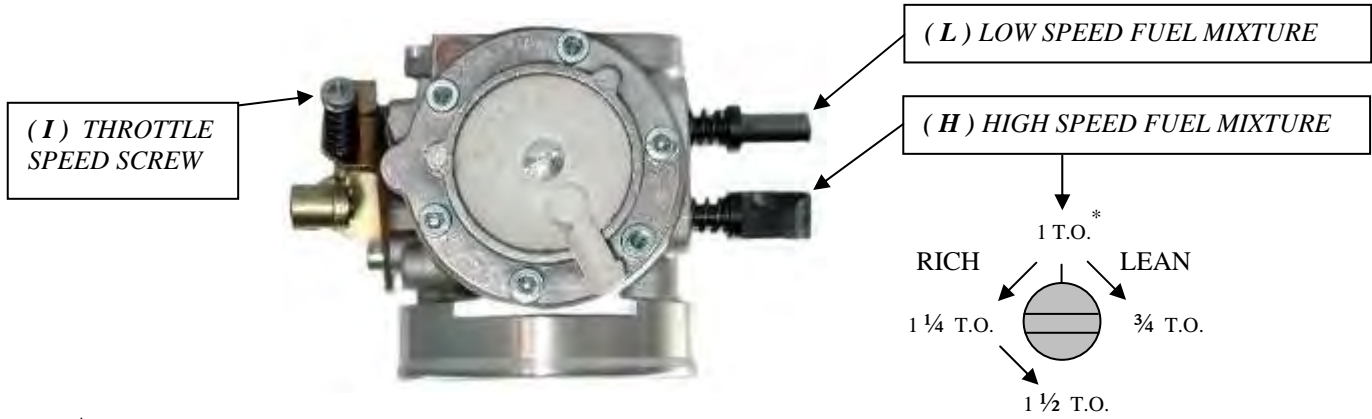
Once the fuel tank is filled, make sure that the gasoline reaches the carburetor before starting the engine.

Never use the electric starter to suck the gasoline as this could discharge the battery.

SUGGESTION:

Disconnect the plastic tube on the carb. and the vent tube on the tank and pressurize the vent tube, until the gasoline comes out from the tube on the carb. Make sure that there is no air in the tube. Connect the tube on the carb. and on the vent.

3.3 CARBURETOR ADJUSTMENT GUIDE

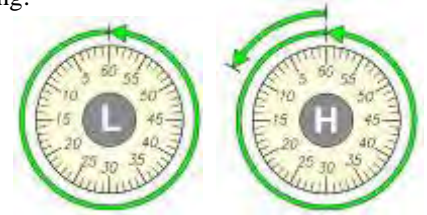


* T.O. = TURNS OPEN

Normally the correct setting of the mixture screws, after engine run-in, is the following:

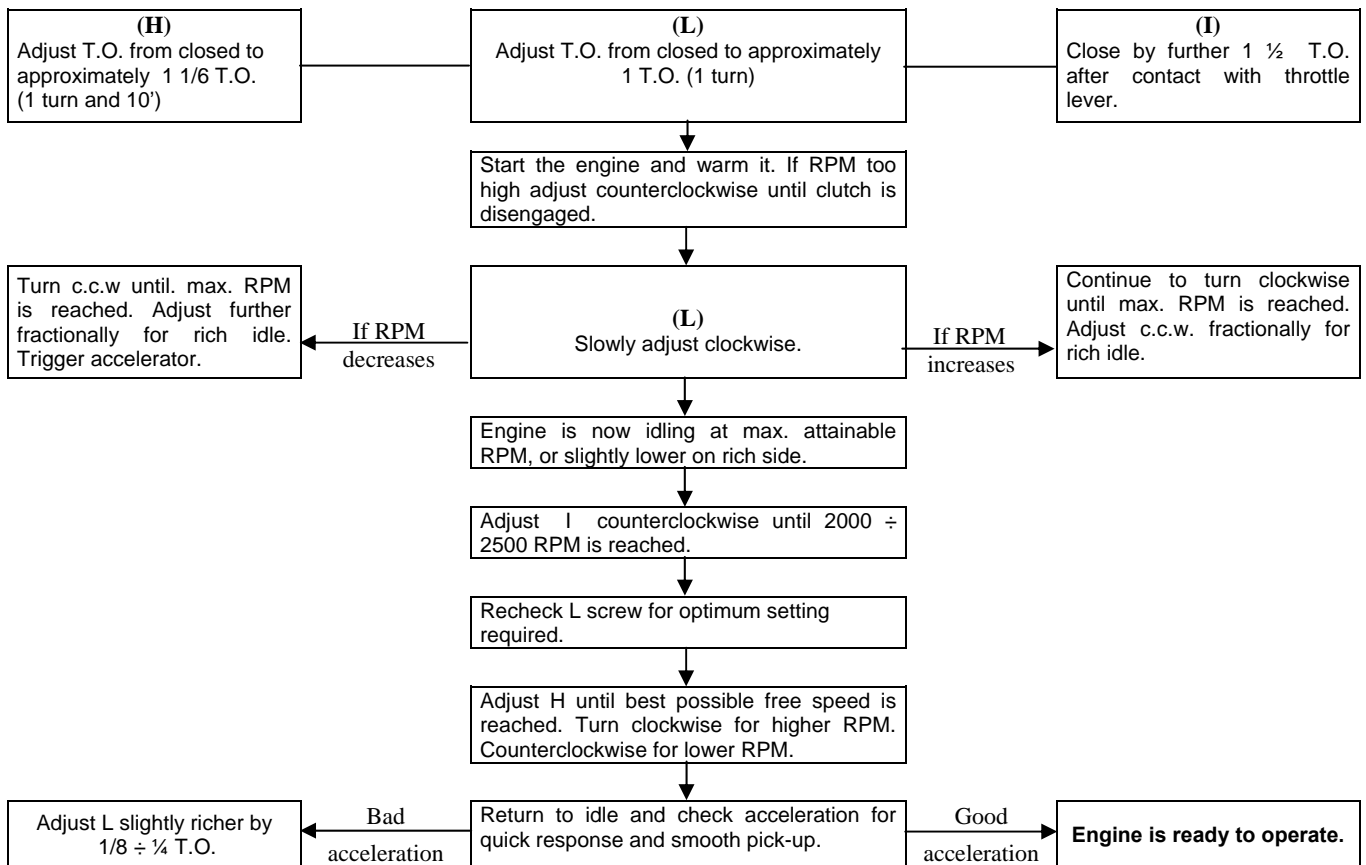
- L (close the screw completely and then open): 1 T.O. (1 turn)
- H (close the screw completely and then open): 1 1/6 T.O. (1 turn and 10')

Based on various factors as altitude, ambient temperature etc. It might be necessary to reset the carburetor to optimize the performance of the engine.



ATTENTION:

- **Never lean too much as lean mixture will overheat engine and cause seizure**
- **Do not force H or L closed. It may damage the precision machined orifice and render the carb. in-serviceable.**
- **The adjustment of screw must be performed with warm engine.**

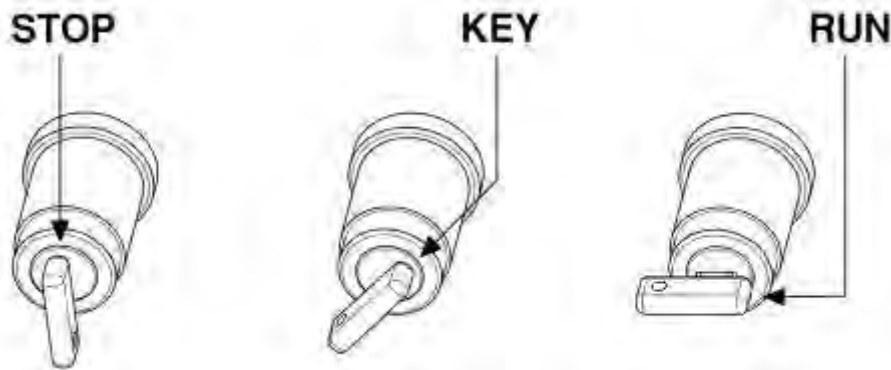


3.4 STARTING AND STOPPING THE ENGINE

Starting is achieved by the starting key.

This is a 3 position key:

- 1- STOP (key can be removed)
- 2- KEY
- 3- RUN



In STOP position the battery is disconnected and the engine stop signal is sent to the electronic box.

In KEY position the battery is connected to the system and the stop signal is removed.

In RUN position the battery is always connected and the electric starter, operation signal is sent to the electronic box.



ATTENTION:

The starting key assembly is supplied with two original keys. We recommend to separate the keys and to keep one in a protected place. In case of loss of both keys, it is necessary to replace the complete assembly.

The starting procedure, from STOP position, is as follows:

- A) Turn the key to KEY position (this connect the battery).
- B) Turn the key to RUN position to start the engine (the electric starter is immediately disengaged when turning the key to KEY position, or when the electronic box detects an engine RPM higher than 1500 RPM).
- C) When the engine is running, the key can be left both in the RUN or KEY position. We suggest, for practical reasons, to turn the key to KEY position; this allows with a single tripping to stop the engine (STOP position) or to restart it in case the engine is stopped (RUN position).

Note:

- ***in case the engine is stopped with the key in RUN position, to restart it, turn the key to KEY position and then again to RUN position to activate the electric starter.***
- ***With the key in KEY or RUN position and if the engine is stopped, to start the engine an external starter unit can also be used.***

In case the engine cannot be started within 5 seconds (check that gas gets to the carb.) interrupt and try again after 15 seconds. Short and frequent tries are better than long ones.

To stop the engine turn the key to STOP position both from KEY (1 tripping) or from RUN (2 trippings).

3.5 ENGINE BREAK-IN

The break-in of the engine must be performed following a few fundamental rules:

1. Adjust the carburetion. Start with an adjustment on the rich side.
2. Warm the engine gradually for about 5 minutes at half throttle, making some laps at low speed, gently closing and opening the carb. throttle (if a tachometer is installed never exceed 11.000 ÷ 12.000 RPM). **Never keep the same RPM for a long time.**
3. Increase the speed for 5 minutes at $\frac{3}{4}$ throttle opening. **Never keep the same RPM for a long time.**
4. Increase the speed for 5 minutes, at max. speed on the twisty parts of the circuit and making the engine rich at half straight (cover with the hand for **an instant** the holes on the air filter keeping the throttle wide open).



ATTENTION:

Once the break-in is over and the engine is cold, check the torque of the exhaust header nuts as, during the break-in, the nuts tend to become loose (refer to the attached table).

3.6 RPM LIMITATION

The electronic box incorporates an RPM limiter which prevents the engine from exceeding 15500 RPM.

This limit cannot be exceeded otherwise the engine could be damaged by the extremely high RPM.



ATTENTION:

Do not keep the engine for a long time at the RPM at which the limiter is functioning. This would cause malfunctions on the induction and damage the reed valve.

When choosing the sprocket ratio always refer to a maximum limit of 15000 RPM so that the incorporated limiter is not switched on continuously when the engine is running.

3.7 INLET SILENCER

Make sure that the inlet holes on the filter are towards the upper side and that they are not plugged. Make sure that the clamp on the carburetor is not loosen and that the filter is well fastened to the chassis.

Once a while, clean the inside from oil deposits. If necessary remove the rubber filter union and clean it with gasoline or solvent.

3.8 EXHAUST SYSTEM

Before every test, make sure that the flexible is not damaged. Replace if necessary.



ATTENTION:

In case the flexible is damaged, metallic particles could be sucked in the engine and cause a seizure.

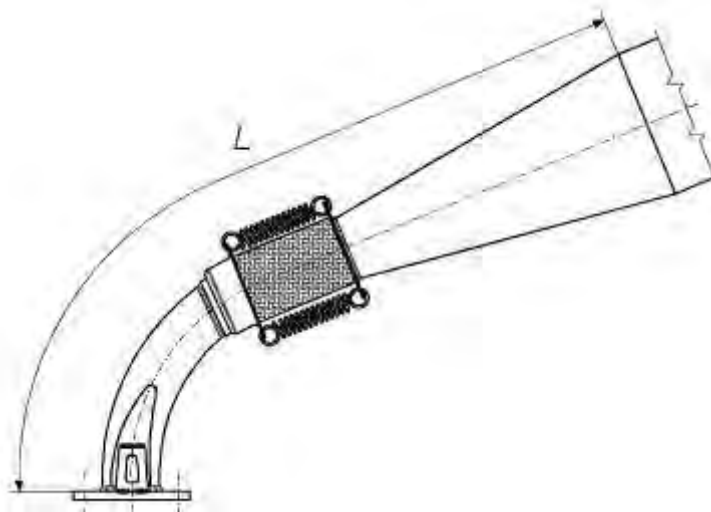
Always make sure that the springs are well hooked and in place. In case of breakage, replace the broken spring. **Never race the kart without the 3 springs in place**, as otherwise the exhaust pipe could vibrate beyond control.

Every 10 ÷15 hours, open the pipe end and make sure that the holes on the internal counter cone are not plugged.

The best performance is achieved with a total exhaust length of:

$$L = 450 \div 455 \text{ mm.}$$

Where L is measured from the flange on the exhaust header up to the first welding on the first cone of the exhaust muffler (see drawing).



To achieve this dimension, the flexible (supplied with the engine) must be cut at a length of 65mm (flexible completely closed).

Having fixed a sprocket ratio, it could be necessary to improve the engine performance either at low or at high RPM.

This could be achieved by modifying the exhaust length.

In general, by shortening the total exhaust length the low RPM an improvement at high RPM is achieved and vice versa, by lengthening the exhaust length the low RPM is improved.

When testing, never exceed in lengthening or shortening the flexible by more than 5mm per time.

3.9 BATTERY

The battery (12 V – 7.2 Ah) is sealed and without maintenance.

In order to lengthen the battery life it is necessary though to follow a few recommendations:

- When the tension drops below 12.6V. It is necessary to recharge the battery.
- Max. allowed recharging current is 1.8A.
- The ideal recharge is achieved with an average charging current of $0.8 \div 1$ A. (recharging time of appr. 10 h.) and at an ambient temperature between 0° and 40°C.



ATTENTION:

An overcharge or an extremely quick charge with excessive current could damage the battery (the battery would tend to swell).

Choose a battery charger with the following characteristics:

- Feed tension: 90/250 Vac – 50/60 Hz
- Outlet tension: 15 V full charge – 13.8 stand-by
- Max. outlet current: 2A full charge
- During transportation or storage the battery could loose its charge due to the self discharge (0.1% max per day).
Fully recharge battery before use.



ATTENTION:

Always connect the - (negative) terminal before and the pole + (positive terminal after) .

Always disconnect the battery in opposite order.

- Recharge the battery at least once every 6 months.
- Never put the battery in contact with solvents, oils, plastifiers or rags containing such elements. The external case of the battery could be damaged.
- Never press or bend or overheat (by welding) the battery terminals.

Other recommendations

- Pay attention not to have free fires upon or around the battery.
- Never short-circuit the terminals.
- Never open the battery or throw it in the fire.
- In case the electrolyte (diluted Sulfuric Acid) gets in contact with skin or clothes, wash immediately with water. In case it gets in touch with eyes, wash and apply for medical assistance.
- Carefully check the external case of battery and replace in case of breakages, swellings of the case or of battery cover.
- Before use, clean the battery from dust and check that the terminals are not oxydized or damaged.
- When the battery comes to an end never throw it in the garbage but deliver it to an authorized disposer.

3.10 WARNINGS ON THE ELECTRICAL SYSTEM

We are here listing the main warnings on the electrical system.
Please keep this in mind during the whole life of the engine.



ATTENTION:

If these prescriptions are not followed the electrical system and the engine could be damaged beyond repair. No obligation of IAME exists in this case.



- 1) Please turn the key to STOP position every time the engine is stopped. If the key is left in KEY position, for a long time, even if the engine is stopped, the battery would be discharged completely.
- 2) Never disconnect the ground cables with eyelets when the engine is in operation.
- 3) Disconnecting the battery when the engine is in operation DOES NOT increase the engine performance. Vice versa, the ignition advance could become very irregular at low RPM thus reducing the performance.
- 4) To fasten the eyelet terminal (groundings) of the wiring harness always use flat or open washers. Never use tab washers.
- 5) When disconnecting the connectors, always press the fixing tongues. Always pull the connectors to disconnect. **NEVER PULL THE CABLES.**
- 6) The electronic box and the starting relay must always be installed with their connector towards the bottom to avoid back water, dampness or dirt in the connector body.
- 7) Always correctly fix the H.T. coil with both screws, make sure that the laminations pack on H.T. coil is connected to the engine with the grounding cable. The eyelet connector must be directly in contact with the laminations pack on the H.T. coil.
- 8) Never use H.T. coils different than the original coil on the engine. Use of different coil may cause damages to the electronic box.
- 9) The digital assembly needs use of a resistive spark plug cap or spark plug. The resistor value must be equal or higher than 5 Kohm. Avoid use of resistive H.T. cables.
- 10) The electrical system is protected against battery polarity reversal. When reversing the connectors on the battery, the protection circuit activates the fuse as soon as the key is on KEY or RUN position. The fuse must then be replaced.**
- 11) Replace the fuse after having disconnected both terminals on the battery. Only use 5A strip fuse. Use of fuses with higher amperage might damage the electronic box whenever the battery polarity is reversed.**
- 12) Only use sealed lead type batteries as specified by IAME. Only use 12V. batteries.
- 13) Always disconnect the battery from the electrical system when recharging the battery with an external battery charger, otherwise the internal voltage regulator could be damaged.
- 14) DO NOT connect batteries in parallel; this might cause explosions and damages to the operator. The recharge of the battery, in normal conditions, is guaranteed by the electrical system. A few minutes of engine in operation are sufficient to recover the energy lost when starting the engine.
- 15) In case the battery must feed other users (Tachometer, Telemetry etc...), first contact IAME to check the recharge capacity of the system.
- 16) Modifications, interventions and additions to the original electric system might cause malfunctions. No obligation of IAME exists in this case.

3.11 SPARK PLUG AND THERMAL DEGREE

The engine is supplied with a standard **NGK BR10EG** spark plug, which represents a good compromise between the needs of a good break-in and the racing needs in normal conditions.

Use of different spark plugs is possible and, as a general information, we are attaching a correspondence list among spark plug of other brands, based on **thermal degree** which represents the capacity of the spark plug to dissipate the internal heat. The colour of the various parts of the spark plug more exposed to the combustion flames gives a good indication on the adequacy of the thermal degree and on the carburation. It is necessary though to understand which of the two parameters has to be changed and only the experience tells how to identify the most proper thermal degree of a spark plug as lean or rich mixtures can generate the same final look which can also be achieved with a hot or cold spark plug.

See table:

| | |
|---|--|
| <p>An excessive warm spark plug shows the symptoms, listed aside.</p>  <p>ATTENTION: <u>Always use a warmer than standard spark plug with cold or rainy climate</u></p> | <ul style="list-style-type: none"> ▪ Extremely clear colour, porous look and calcification of the electrodes and of the internal insulation. ▪ Irregularities in the ignition, preignition and detonation with tendency to perforate the top of the piston. ▪ Note: some of these symptoms can be achieved with lean mixtures. |
| <p>A correct thermal degree shows:</p> | <ul style="list-style-type: none"> ▪ Colour of the insulator end from yellow grey to dark brown for mixtures respectively lean or rich. |
| <p>An excessively cold spark plug shows the symptoms, listed aside.</p>  <p>ATTENTION: <u>Always use a colder than standard spark plug with hot climates.</u></p> | <ul style="list-style-type: none"> ▪ Insulator end and electrodes covered with black shady soot. ▪ Ignition difficulties ▪ Note: a wet or oily electrode could also mean an excessively rich mixture. |

COMPARISON TABLE BASED ON THE THERMAL DEGREE

| | | |
|--------------|------------|-----------------|
| HOT | | |
| ↑ | | |
| BOSCH | NGK | CHAMPION |
| WO8CS | BR9EG | N54R |
| WO7CS | BR10EG | N52R |
| WO6CS | BR11EG | |
| ↓ | | |
| COLD | | |

3.12 CHOICE OF THE BEST SPROCKET RATIO

The life of an engine depends on many factors but most of all, upon the speed at which the engine is operated. If an engine is normally operated at speed higher than what recommended by the manufacturer, the wears and stress of the various components (con-rods, roller cages, bearings etc.) will be such as to drastically reduce the life of the engine itself. It is therefore extremely important that the user respects operating limits imposed by the manufacturer.

The operating limit for the "PARILLA X30" engine is 15500 RPM and the RPM limiter is calibrated at this value.



ATTENTION:

Never exceed the above limit. No obligation of IAME exists in case the above limit is exceeded.

In case the user wishes to optimize on the track the sprocket ratio in order to achieve the best possible performance, without abusing the engine, follow the under shown recommendations.

The engines are supplied with a 11 teeth sproket (pitch 7.775 mm.), but 10 and 12 teeth sprockets are available as accessories. Table 1 shows the various ratios between the sprocket on the axle and the engine sprocket given the different axle sprocket.

Tab.1

| Sprocket ratio | Teeth n° - Engine sprocket | | | Sprocket ratio | Teeth n° - Engine sprocket | | |
|------------------------|----------------------------|------|------|------------------------|----------------------------|------|------|
| Teeth n° Axle sprocket | 10 | 11 | 12 | Teeth n° Axle sprocket | 10 | 11 | 12 |
| 72 | 7,20 | 6,55 | 6 | 83 | 8,30 | 7,55 | 6,92 |
| 73 | 7,30 | 6,64 | 6,08 | 84 | 8,40 | 7,64 | 7 |
| 74 | 7,40 | 6,73 | 6,17 | 85 | 8,50 | 7,73 | 7,08 |
| 75 | 7,50 | 6,82 | 6,25 | 86 | 8,60 | 7,82 | 7,17 |
| 76 | 7,60 | 6,91 | 6,33 | 87 | 8,70 | 7,91 | 7,25 |
| 77 | 7,70 | 7,00 | 6,42 | 88 | 8,80 | 8,00 | 7,33 |
| 78 | 7,80 | 7,09 | 6,5 | 89 | 8,90 | 8,09 | 7,42 |
| 79 | 7,90 | 7,18 | 6,58 | 90 | 9,00 | 8,18 | 7,5 |
| 80 | 8,00 | 7,27 | 6,67 | 91 | 9,10 | 8,27 | 7,58 |
| 81 | 8,10 | 7,36 | 6,75 | 92 | 9,20 | 8,36 | 7,67 |
| 82 | 8,20 | 7,45 | 6,83 | | | | |

For the operation limit of 15000 RPM the following table (Tab. 2) has been prepared.

SUGGESTION:

- **During the track tests we recommend use of a tachometer recording the max. obtained engine RPM.**
- **Use spark plug caps with a resistance of 5KΩ to avoid the eventual interferences between the engine ignition and the tachometer and/or telemetry.**

The following example should clarify the procedure for the optimization of the sprocket. Assume to use the engine with Z=10 teeth engine sprocket and that during the preliminary track tests a Z= 72 teeth axle sprocket has been used.

- From Table 1 with Z=10 as engine sprocket and Z= 72 on the axle sprocket, a ratio of 7.20 is found.
- Make a few laps on the track and let us assume that you read 14.000 max. engine RPM.
- From the Table 2, to achieve a max. RPM of 15000 RPM (operating limit for the X30 engine) a sprocket ratio from 7.61 and 7.82 should be used (having used during the tests, a sprocket ratio of 7.2 and having achieved 14.000 RPM).
- From Table 1, with these values, a sprocket ratio of 10:76 / 10:78 should be used or, having a Z=11 on the engine sprocket, a ratio 11:85 should be used.

SPROCKET RATIO TO ACHIEVE MAX 15000 RPM

Tab. 2

| Engine max RPM. During tests | Sprocket ratio | | | | | | | | | | | | | | | | | |
|---------------------------------|----------------|------|------|------|------|------|------|------|------|------|------|------|------|------|-------|-------|-------|-------|
| | 5,9 | 6,1 | 6,3 | 6,5 | 6,7 | 6,9 | 7,1 | 7,3 | 7,5 | 7,7 | 7,9 | 8,1 | 8,3 | 8,5 | 8,7 | 8,9 | 9,1 | 9,3 |
| 13000 | 6,81 | 7,04 | 7,27 | 7,50 | 7,73 | 7,96 | 8,19 | 8,42 | 8,65 | 8,88 | 9,12 | 9,35 | 9,58 | 9,81 | 10,04 | 10,27 | 10,50 | 10,73 |
| 13200 | 6,70 | 6,93 | 7,16 | 7,39 | 7,61 | 7,84 | 8,07 | 8,30 | 8,52 | 8,75 | 8,98 | 9,20 | 9,43 | 9,66 | 9,89 | 10,11 | 10,34 | 10,57 |
| 13400 | 6,60 | 6,83 | 7,05 | 7,28 | 7,50 | 7,72 | 7,95 | 8,17 | 8,40 | 8,62 | 8,84 | 9,07 | 9,29 | 9,51 | 9,74 | 9,96 | 10,19 | 10,41 |
| 13600 | 6,51 | 6,73 | 6,95 | 7,17 | 7,39 | 7,61 | 7,83 | 8,05 | 8,27 | 8,49 | 8,71 | 8,93 | 9,15 | 9,38 | 9,60 | 9,82 | 10,04 | 10,26 |
| 13800 | 6,41 | 6,63 | 6,85 | 7,07 | 7,28 | 7,50 | 7,72 | 7,93 | 8,15 | 8,37 | 8,59 | 8,80 | 9,02 | 9,24 | 9,46 | 9,67 | 9,89 | 10,11 |
| 14000 | 6,32 | 6,54 | 6,75 | 6,96 | 7,18 | 7,39 | 7,61 | 7,82 | 8,04 | 8,25 | 8,46 | 8,68 | 8,89 | 9,11 | 9,32 | 9,54 | 9,75 | 9,96 |
| 14200 | 6,23 | 6,44 | 6,65 | 6,87 | 7,08 | 7,29 | 7,50 | 7,71 | 7,92 | 8,13 | 8,35 | 8,56 | 8,77 | 8,98 | 9,19 | 9,40 | 9,61 | 9,82 |
| 14400 | 6,15 | 6,35 | 6,56 | 6,77 | 6,98 | 7,19 | 7,40 | 7,60 | 7,81 | 8,02 | 8,23 | 8,44 | 8,65 | 8,85 | 9,06 | 9,27 | 9,48 | 9,69 |
| 14600 | 6,06 | 6,27 | 6,47 | 6,68 | 6,88 | 7,09 | 7,29 | 7,50 | 7,71 | 7,91 | 8,12 | 8,32 | 8,53 | 8,73 | 8,94 | 9,14 | 9,35 | 9,55 |
| 14800 | 5,98 | 6,18 | 6,39 | 6,59 | 6,79 | 6,99 | 7,20 | 7,40 | 7,60 | 7,80 | 8,01 | 8,21 | 8,41 | 8,61 | 8,82 | 9,02 | 9,22 | 9,43 |
| 15000 | 5,90 | 6,10 | 6,30 | 6,50 | 6,70 | 6,90 | 7,10 | 7,30 | 7,50 | 7,70 | 7,90 | 8,10 | 8,30 | 8,50 | 8,70 | 8,90 | 9,10 | 9,30 |
| 15200 | 5,82 | 6,02 | 6,22 | 6,41 | 6,61 | 6,81 | 7,01 | 7,20 | 7,40 | 7,60 | 7,80 | 7,99 | 8,19 | 8,39 | 8,59 | 8,78 | 8,98 | 9,18 |
| 15400 | 5,75 | 5,94 | 6,14 | 6,33 | 6,53 | 6,72 | 6,92 | 7,11 | 7,31 | 7,50 | 7,69 | 7,89 | 8,08 | 8,28 | 8,47 | 8,67 | 8,86 | 9,06 |
| 15600 | 5,67 | 5,87 | 6,06 | 6,25 | 6,44 | 6,63 | 6,83 | 7,02 | 7,21 | 7,40 | 7,60 | 7,79 | 7,98 | 8,17 | 8,37 | 8,56 | 8,75 | 8,94 |
| 15800 | 5,60 | 5,79 | 5,98 | 6,17 | 6,36 | 6,55 | 6,74 | 6,93 | 7,12 | 7,31 | 7,50 | 7,69 | 7,88 | 8,07 | 8,26 | 8,45 | 8,64 | 8,83 |
| 16000 | 5,53 | 5,72 | 5,91 | 6,09 | 6,28 | 6,47 | 6,66 | 6,84 | 7,03 | 7,22 | 7,41 | 7,59 | 7,78 | 7,97 | 8,16 | 8,34 | 8,53 | 8,72 |
| 16200 | 5,46 | 5,65 | 5,83 | 6,02 | 6,20 | 6,39 | 6,57 | 6,76 | 6,94 | 7,13 | 7,31 | 7,50 | 7,69 | 7,87 | 8,06 | 8,24 | 8,43 | 8,61 |
| 16400 | 5,40 | 5,58 | 5,76 | 5,95 | 6,13 | 6,31 | 6,49 | 6,68 | 6,86 | 7,04 | 7,23 | 7,41 | 7,59 | 7,77 | 7,96 | 8,14 | 8,32 | 8,51 |
| 16600 | 5,33 | 5,51 | 5,69 | 5,87 | 6,05 | 6,23 | 6,42 | 6,60 | 6,78 | 6,96 | 7,14 | 7,32 | 7,50 | 7,68 | 7,86 | 8,04 | 8,22 | 8,40 |
| 16800 | 5,27 | 5,45 | 5,63 | 5,80 | 5,98 | 6,16 | 6,34 | 6,52 | 6,70 | 6,88 | 7,05 | 7,23 | 7,41 | 7,59 | 7,77 | 7,95 | 8,13 | 8,30 |
| 17000 | 5,21 | 5,38 | 5,56 | 5,74 | 5,91 | 6,09 | 6,26 | 6,44 | 6,62 | 6,79 | 6,97 | 7,15 | 7,32 | 7,50 | 7,68 | 7,85 | 8,03 | 8,21 |

Section 4 - BASIC MAINTENANCE

4.1 CENTRIFUGAL CLUTCH

The engine has a low maintenance dry centrifugal clutch. The following prescriptions, if carefully followed, will allow a long clutch life.

When starting the engine, make sure that the brake pedal is fully pressed to avoid sudden accelerations.



ATTENTION:

Once the engine is started, avoid useless accelerations which can overheat and deteriorate the clutch. Oil the chain before each tests. Immediately after each race or test, check the engine sprocket . Replace if necessary .

A bad alignment of the engine sprocket with the axle sprocket or the lack of oil will damage the sprocket beyond repair .

Check the clutch:

- every 5 hours of use.
- When metallic noises are heard inside the clutch.
- If the kart dragging speed exceeds 6000 RPM.
- Every time the clutch has overheated (presence of smoke or smell of burning).

To check the clutch, you must remove the clutch cover and the clutch drum.

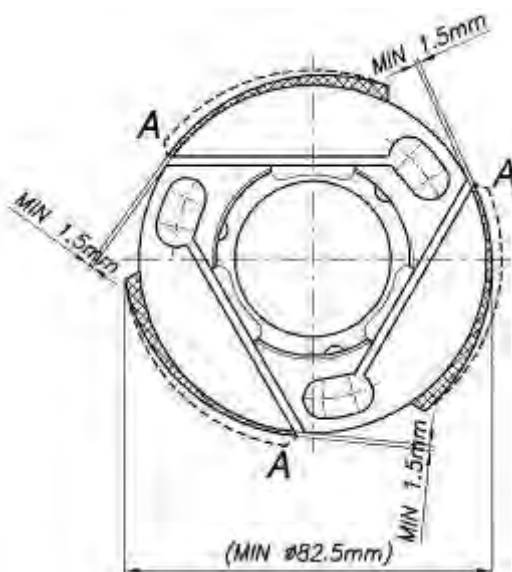
Replace the clutch:

- whenever the thickness of the friction material (see drawing) is lower than 1.5mm on point A of the clutch or if the body diameter is lower than 82.5mm.
- Whenever the external friction material in the A portion of the clutch is very rough (wear or degradation of the friction material due to overheating).



ATTENTION:

In case the friction material has been totally worn out and there has been a metal contact between the clutch body and the clutch drum, it is necessary to replace the clutch drum. See drawing.

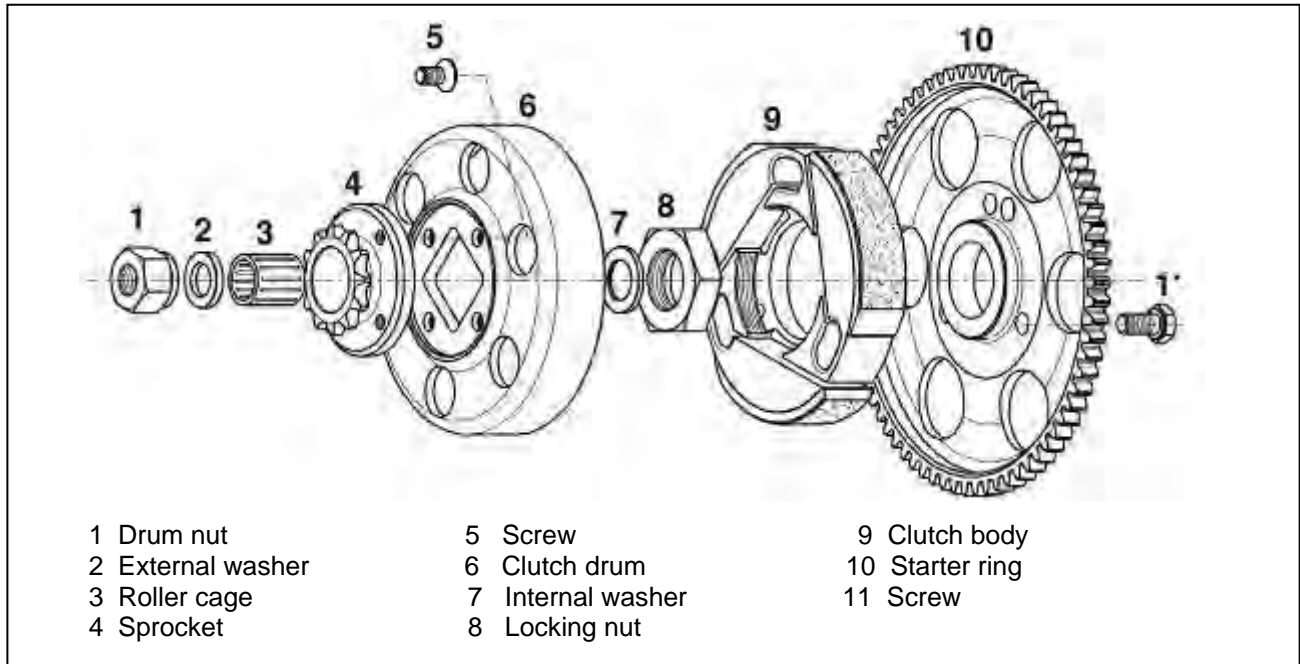


4.2 INSTRUCTIONS FOR THE DISASSEMBLY/ASSEMBLY OF THE CLUTCH



ATTENTION:

the following operations can be performed by a skilled mechanic, under the conditions to have available the dedicated tools shown on the text, otherwise it is necessary to apply to an Authorized Service Center.
Refer to the following drawing during the operations.



| <u>OPERATIONS</u> | <u>TOOLS</u> |
|--|--|
| <u>Clutch disassembly</u> | |
| 1. Remove the clutch cover (3 screws M6). | ▪ Allen wrench 5mm – T type |
| 2. Remove the spark plug and replace with special tool to prevent crankshaft from turning. | ▪ Piston fitting: P.N. 10271 |
| 3. Remove nut (1 nut M10). | ▪ 12 point wrench 17 mm |
| 4. Remove the external washer, the drum complete with roller cage, the internal washer. | |
| 5. Remove the special tool from the head and using the clutch wrench remove the 20x1 nut and the starter ring. <u>! ATTENTION: turn clockwise as the nut has left thread</u> | ▪ Clutch wrench : P.N. 10270 ▪ 30mm socket. |
| 6. Apply the clutch puller on clutch and remove the clutch, with starter ring | ▪ Clutch puller: P.N. 10272-C ▪ 12 point wrench 19mm. |
| 7. Remove the starting ring (3 viti M6) | ▪ 12 point wrench 10 mm |

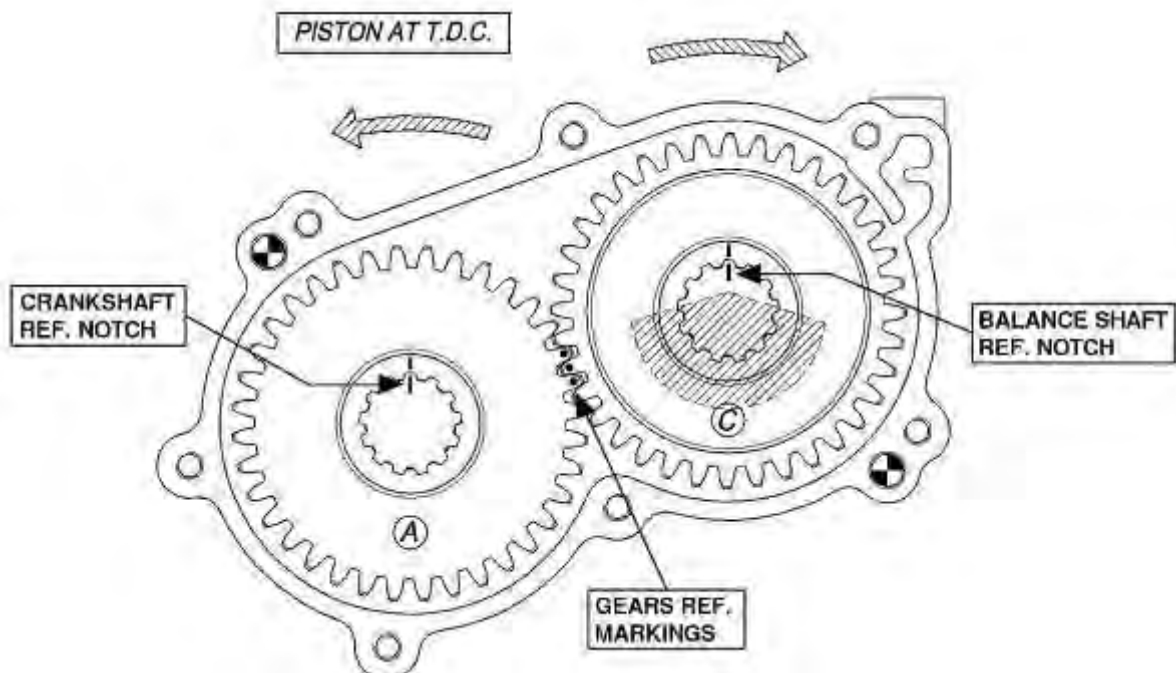
Before assembling the clutch, wash with diluent the shaft taper, the connecting hole on the clutch body, the clutch drum and the starter ring.

| Install clutch | |
|--|---|
| <p>1. Install the starter ring on the clutch body by matching the three holes and the dragging pin (3 screws M6).</p> <p>! ATTENTION: make sure to always install the \varnothing 7 mm dragging pin as otherwise, the eventual kick backs, could break the screws.</p> | <ul style="list-style-type: none"> ▪ 12 point wrench 10 mm (torque at 10 Nm) (90 in-lb) (apply "Loctite" on the threads) |
| <p>2. Install clutch body and the cone safety washer.</p> | <p>Apply "Loctite 641" for coaxial lockings</p> |
| <p>3. Install the clutch body fixing nut and starter ring, using the clutch wrench.</p> <p>! ATTENTION: turn counterclockwise as nut has left thread.</p> | <ul style="list-style-type: none"> ▪ Clutch wrench P.N. 10270 ▪ 12 point wrench 30 mm. (torque at 100 ÷ 110 Nm) (885 ÷ 970 in-lb) |
| <p>4. Install the internal washer.</p> <p>! ATTENTION: install washer with bevel towards internal part of the engine. Clean the roller cage and grease it before installing it on the crankshaft.</p> | |
| <p>5. Install the clutch drum and the external washer.</p> <p>! ATTENTION: install washer with bevel towards internal part of the engine.</p> | |
| <p>6. Install the piston fitting to prevent the shaft from turning and install the clutch cover (M10 nut) .</p> | <ul style="list-style-type: none"> ▪ Piston fitting : P.N. 10271 ▪ 17 mm socket (torque at 30 ÷ 40 Nm) (265 ÷ 350 in-lb) |
| <p>7. Install the clutch cover (3 screws M 6).</p> | <ul style="list-style-type: none"> ▪ Allen wrench 5 mm – T type. (torque at 8 ÷ 10 Nm) (70 ÷ 90 in-lb) |


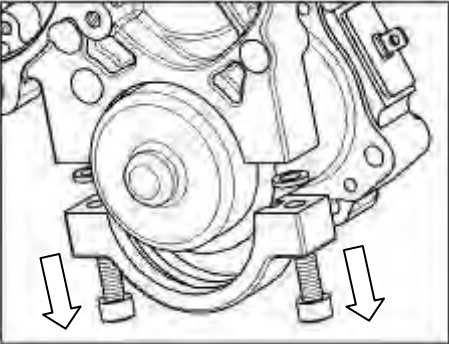

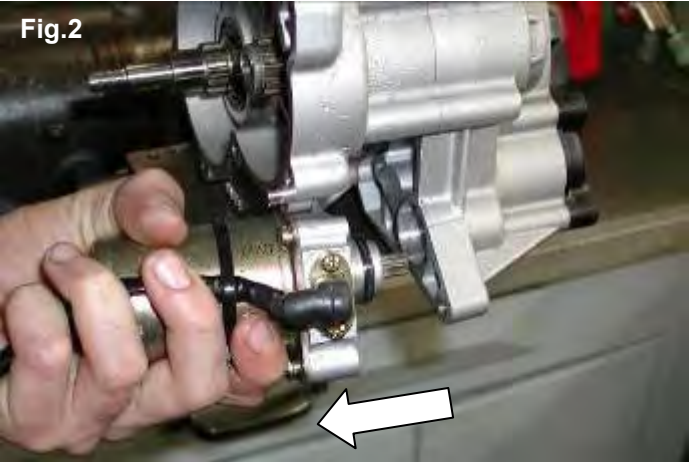
4.3 GEAR TIMING SCHEMATIC

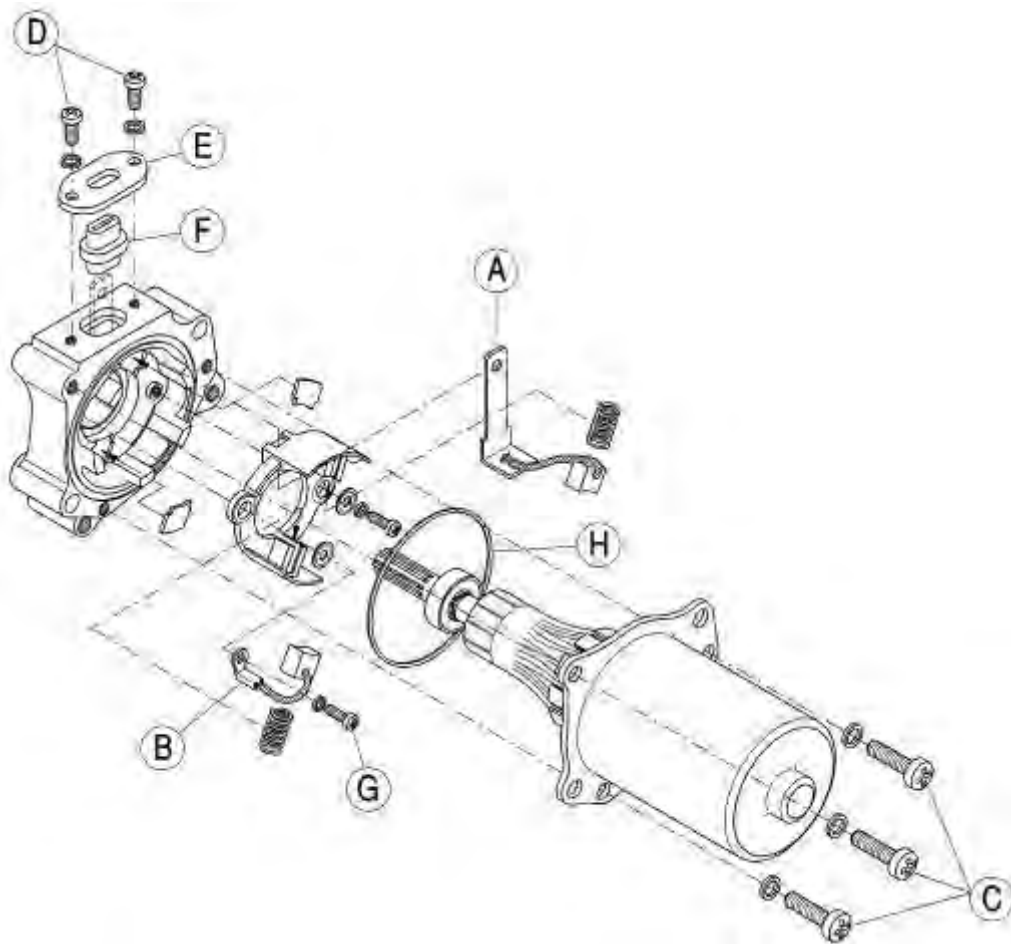
In case of assembly of the gears which drive the balance shaft, assembly must be performed following the timing schematic shown below.

! ATTENTION:
An incorrect assembly of the gears can cause a malfunction in the vibration reduction system.



4.4 REPLACEMENT OF THE STARTER BRUSHES

| | <u>OPERATIONS</u> | <u>PICTURES</u> |
|---|---|--|
| <p>1.</p>  | <p><u>DISASSEMBLE THE STARTER</u></p> <p>- UNSCREW N°2 SCREWS M6x35 (see Fig.1).</p> <p>(5mm ALLEN WRENCH – T TYPE)</p> <p>- REMOVE STARTER (see Fig.2).</p> <p><u>NOTE:</u> <u>ON THE ENGINES MANUFACTURED AFTER SEPTEMBER '05, THE STARTER CAN BE REMOVED WITHOUT TAKING AWAY THE GEARS COVER BUT SIMPLY BY REMOVING THE COVER CLAMP (see drawing)</u></p>  |  <p style="text-align: right;">Fig.1</p>  <p style="text-align: left;">Fig.2</p> |



2. OPENING THE STARTER

-REMOVE THE PLASTIC CLAMP AND UNSCREW THE SCREW M4 FIXING THE INPUT CABLE TO THE STARTER (see Fig.3)



(SCREWDRIVER)

- UNSCREW 3 SCREWS M5 "C" (see Fig.4)



(SCREWDRIVER)

Fig.3



Fig.4



- REMOVE DRUM FROM STARTER
KEEPING ROTOR IN ITS SEAT
(BE SURE TO HOLD THE ROTOR ON ITS
TOOTHED SIDE TO PREVENT BRUSHES
FROM FALLING OUT FROM THEIR SEAT)
(see Fig.5)

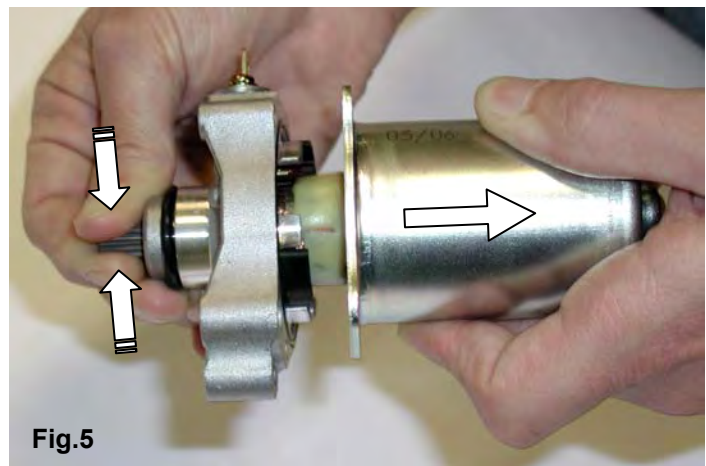


Fig.5

- REMOVE ROTOR FROM STARTER HEAD
(see Fig.6)



Fig.6

⚠ ATTENTION:
WHEN EXTRACTING ROTOR, THE BRUSHES
MAY SPRING OUT FROM THEIR SEATS.

3. **REPLACING THE BRUSH "A"**

- UNSCREW THE 2 SCREWS M4 "D"
RETAINING THE PLATE "E" (see Fig.7).

(SCREWDRIVER)



Fig.7

- REMOVE THE LITTLE RUBBER CAP "F" (see
Fig.8).

(PLIERS)



OUR SUGGESTION:
SLIGHTLY OIL THE TIN PLATE TERMINAL
END, TO MAKE EASIER THE EXTRACTION OF
THE LITTLE RUBBER CAP.



Fig.8

- REMOVE SILICONE FROM BRUSHES WITH A SCREWDRIVER (see Fig.9).

- REMOVE SPRINGS

- MAKING PRESSURE EXTERNALLY ON THE TIN PLATE TERMINAL, REMOVE BRUSH. (see Fig.10).

- INSTALL NEW BRUSH TERMINAL INSIDE (see Fig.11).

- PLACE LITTLE RUBBER CAP ON THE TERMINAL

- REINSTALL THE PLATE AND FIXE IT WITH THE 2 SCREWS M4 (see Fig.12).

(SCREWDRIVER)

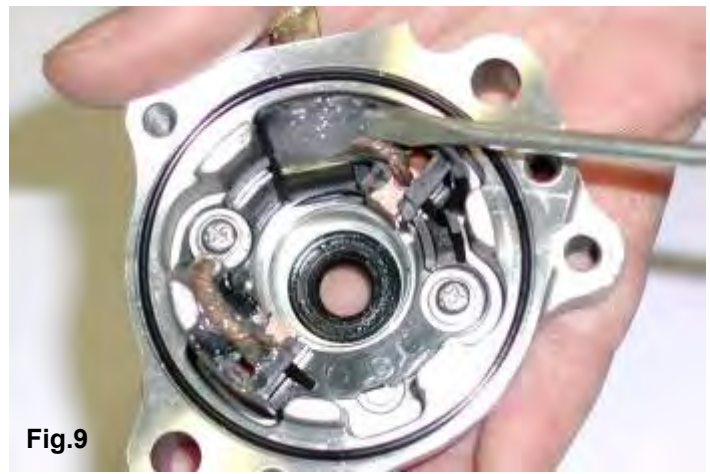


Fig.9

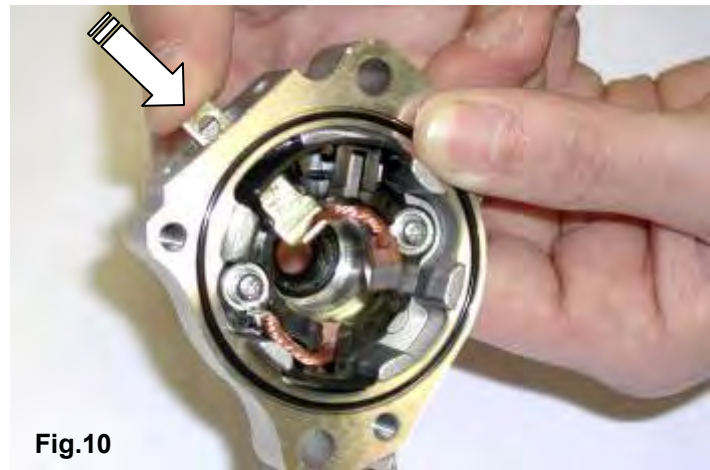


Fig.10



Fig.11



Fig.12

4. REPLACEMENT OF THE BRUSH "B"

- UNLOOSE THE SCREW M3 "G" (see Fig.13)
- EXTRACT THE BRUSH
- FIX THE NEW BRUSH WITH SCREW M3
(SCREWDRIVER)



5. CLOSING THE STARTER

- INSERT THE NEW BRUSH SPRING "A" INTO ITS SEAT.
 - INSTALL THE BRUSH .
 - KEEP THE BRUSH IN PLACE BY PRESSING TOWARDS THE OUTER AND CLAMP IT WITH AN IRON WIRE BENT AS A HOOK.
- REPEAT THE SAME PROCEDURE TO INSTALL THE BRUSH "B" (see Fig.14).

- INSTALL THE STARTER ROTOR BETWEEN THE BRUSHES AND CHECK, THAT THEY ARE ALWAYS IN CONTACT WITH THE CYLINDRIC COPPER PART OF THE ROTOR, EVEN WHEN THEY ARE RELEASED (see Fig.15).

**OUR SUGGESTION:
TO IMPROVE THE BRUSHES LIFE, SECURE THE LITTLE WIRES WITH SILICONE (see Fig.16).**

Fig.13



Fig.14

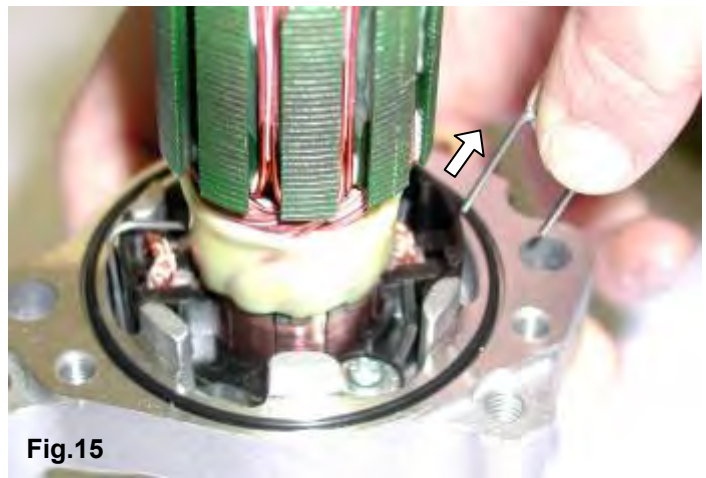


Fig.15



Fig.16

- CHECK THAT O-RING "H" IS INSTALLED ON THE STARTER HEAD.

- INSERT STARTER DRUM ON THE HEAD BEING CAREFUL TO PREVENT ROTOR FROM ROTATING AND TO PREVENT THE BRUSHES FROM FALLING OUT OF THEIR SEAT (see Fig. 17).

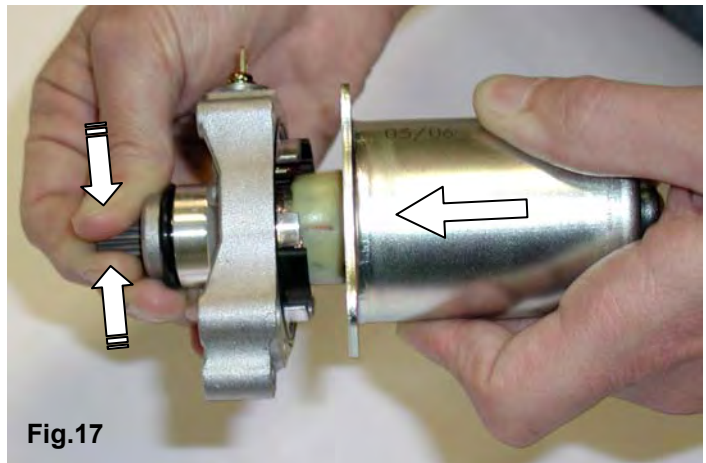


Fig.17

- SCREW THE 3 SCREWS M5 (see Fig.18).
(SCREWDRIVER)



- CHECK THAT THE STARTER ROTOR ROTATES FREELY.



Fig.18

- CONNECT THE INPUT WIRING TO THE STARTER WITH THE SCREW M4 (see Fig.19).



(SCREWDRIVER)



Fig.19

- SECURE THE WIRE TO THE STARTER BY MEANS OF A PLASTIC CLAMP (see Fig.20).

6. **ASSEMBLING THE STARTER**

- PLACE THE STARTER INTO THE CRANKCASE (see Fig.20). OIL O-RING TO MAKE EASIER INSTALLATION.

N°2 SCREWS TCH M6x35
TIGHTEN AT A 8÷10 Nm (70÷90 in-lb)


(5mm WRENCH – T TYPE)



Fig.20

4.5 SCHEDULED MAINTENANCE

Following some simple maintenance standards will allow the engine to perform more reliably and have a longer life.

| SCHEDULE | COMPONENTS | ACTIONS AND COMMENTS |
|---------------------------|--|--|
| Before using | Exhaust flexible | Check status |
| | Exhaust spring | Check status |
| | Insulating sleeve | Check status |
| | Silencer | Check status and fixing |
| | Engine sprocket | Check wear Check alignment with axle sprocket |
| | Engine chain | Check wear, tensioning and oil chain |
| | Battery | Check status and charge |
| | Cables and connectors | Check status and connectors |
| | Grounding of engine and electronic box | Check status and connectors |
| | Engine mounts and clamps | Check torques |
| After use | Battery | Disconnect |
| | Chain | Check status and oil chain |
| | Engine | External cleaning |
| Every 5 ÷ 10 hours | Bendix assembly | Remove cover (see fig.) and clean internally |
| |  | |
| | Exhaust muffler | Remove muffler end, clean |
| | Inlet silencer | Open, clean |
| | Engine head | Open, clean |
| | Clutch | Open, check status of parts |
| | Every 20 hours | Piston and con-rod assembly |
| Crankshaft | | Check and replace worn parts |
| Bearings / balance shaft | | Check and replace worn parts |
| Gears | | Check and replace worn parts |
| Balance shaft | | Check and replace worn parts |

4.6 TROUBLESHOOTING

Below are some common faults, their probable causes and suggested remedy.

| FAULTS | PROBABLE CAUSES | REMEDY |
|--|---|---|
| Starter will not crank when turning the key to RUN position | Bad connections on starter cables | Check and tighten |
| | Bad grounding | Check connections and tighten |
| | Interruption on fuse | Replace 5A strip fuse, after checking for eventual reversal of battery polarity. |
| | Damaged cables | Replace |
| | Battery connection loose | Check and tighten |
| | Battery discharged | Recharge or replace battery |
| | Starter failure | Overhaul starter |
| Starter cranks but engine won't start when turning the key in RUN position | Electronic box or relay failure | Apply to Authorized Service Centers |
| | Bad cable connections | Check connectors |
| | Bad H.T. coil connections or coil failure | Check/replace |
| | Bad H.T. coil grounding | Check grounding |
| | Electronic box or ignition failure | Apply to Authorized Service Centers |
| | Wet spark plug | Replace |
| Engine starts but it stops after a few seconds when turning the key in RUN position | Malfunction on induction system | Check status and connection on fuel pipe Replace gaskets and membranes on carburetor Check reed petals. Replace if necessary. |
| | Bad cable connections | Check stator connector |
| | Electronic box or starter failure | Apply to Authorized Service Centers |
| The starter cranks also after the engine is running. | Bad carburetor adjustment (screw I) | Check carburetor adjustment (see sect. 3.3) |
| | Electronic box failure | Apply to Authorized Service Centers |
| Rough idle | Bad carb. adjustment (screw I) | Check carburetor adjustment (see sect. 3.3) |
| Drop in engine performance | Bad compression | Check piston |
| | Bad carburetor adjustment | Check carburetor adjustment (see sect. 3.3) |
| | Insufficient fuel flow | Check fuel flow lines and inlet filter |
| | Dirty inlet silencer | Check and clean |
| Burning smell, smoke | Clutch overheating | Check clutch (see sect. 4.1) |
| Clutch engages at too high RPM | Excessive wear of friction material | Check clutch (see sect. 4.1) |
| Exhaust too noisy | Damaged flexible | Check and replace if necessary |
| | Springs damaged or lost | |
| | Damaged insulating sleeve | |
| | Damaged exhaust header | |

4.7 ENGINE PRESERVATION

When engine is to remain unoperative for a long period it must be preserved as follow:

- Disconnect the battery and charge it periodically (see sect. 3.9).
- Disconnect carburetor and clean it.
- Seal with tape the engine inlet and exhaust.

The external of the engine must be cleaned. Spray with protective oil, the steel parts subject to oxidation. Keep the engine in a dry ambient.

4.8 TORQUE VALUES

| NOMINAL SIZE | Q.TY | FASTENER NAME | WRENCH | VALUES(Nm) | VALUES(in•lb) |
|--------------|------|---------------------------------|----------|------------|---------------|
| M14 x 1.25 | 1 | Spark plug | Hex.20.8 | 20 – 26 | 175 – 230 |
| M8 x 1.25 | 4 | Head and cylinder nut | Hex. 13 | 18 – 22 | 160 – 190 |
| M8 x 1.25 | 2 | Exhaust nut | Hex. 13 | 18 – 22 | 160 – 190 |
| M6 x 1 | 4 | Reed group screw | Allen 5 | 8 – 10 | 70 – 90 |
| M6 x 1 | 2 | Carb. fixing stud-bolt | Allen 5 | 8 – 10 | 70 – 90 |
| M5 x 0.8 | 4 | Ignition stator fixing screw | Allen 4 | 5 – 6 | 45 – 50 |
| M10 x 1 | 1 | Ignition rotor fixing nut | Hex. 17 | 20 – 26 | 175 – 230 |
| M6 x 1 | 3 | Countershaft support screw | Allen 5 | 6 – 8 | 50 – 70 |
| M6 x 1 | 2 | Starter fixing screw | Allen 5 | 8 – 10 | 70 – 90 |
| M6 x 1 | 3 | Clutch cover fixing screw | Allen 5 | 8 – 10 | 70 – 90 |
| M10 x 1 | 1 | Clutch drum holding nut | Hex. 17 | 30 – 40 | 265 – 350 |
| M20 x 1 | 1 | Starter ring fixing nut | Hex. 30 | 100–110 | 885 – 970 |
| M5 x 0.8 | 4 | Engine sprocket fixing screw | Allen 3 | 6 – 8 | 50 – 70 |
| M6 x 1 | 3 | Clutch fixing screw | Hex. 10 | 9 – 11 | 80 – 100 |
| M6 x 1 | 10 | Crankcase fixing screw | Allen 5 | 8 – 10 | 70 – 90 |
| M6 x 1 | 7 | Gears cover fixing screw | Allen 5 | 8 – 10 | 70 – 90 |
| M5 x 0.8 | 1 | Bal. shaft bearing fix. screw | Allen 3 | 6 – 8 | 50 – 70 |
| M6 x 1 | 2 | Coil fixing nut | Hex. 10 | 8 – 10 | 70 – 90 |
| M6 x 1 | 2 | Coil/starter ground. fix. screw | Allen 5 | 8 – 10 | 70 – 90 |
| M10 x 1 | 2 | Oil charge/discharge plug | Hex. 17 | 12 – 15 | 105 – 130 |

