



# YAMAHA

## PARTS CATALOGUE

# KT100AII (7T0)

137T0-100E1

# FOREWORD

This Parts Catalogue is related to the parts in use for the YAMAHA KT 100AII (7T0).  
When you are ordering replacement parts for the KT 100AII (7T0), refer to this Parts Catalogue and quote both part numbers and part names correctly.

1. Modifications or additions which have been made after issue of the Parts Catalogue will be announced in the Yamaha Parts News.  
It is advisable that according to the Yamaha Parts News you make necessary corrections to the Parts Catalogue on hand to keep it up-to-date.

2. Abbreviations

The following abbreviations are used in this Parts Catalogue.

- U.R. Use size (thickness) and/or number as required.
- U.N. Use as many as you need.
- A.P. Alternate Parts
- L.M. Local Made
- F# Frame No. (Applicable machine No.)

3. The parts marked with (+) in the parts number column of this Catalogue are not supplied with by Yamaha, those have to be found locally.
4. Parts, which are to be supplied in the form of assemblies, are listed with an indentation of one letter's space, and a dot (.) is put against the name of each part.

**EXAMPLE** CARBURETOR ASS'Y  
     . JET, pilot  
     . NOZZLE, main

5. Indication of No. of constituent parts for assembly

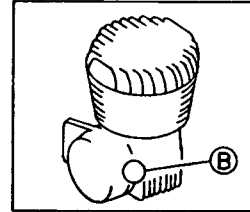
The numeral appearing to the right of each constituent part under the description indicates the quantity of such parts for each individual assembly unit.

**EXAMPLE**

Part No.	Description	Q'ty	Remarks
2F5-83310-60	FRONT FLASHER LIGHT ASS'Y	2	
115-83311-60	. BULB (6V-18W)	1	
1M1-83309-60	. REFLECTOR	1	

6. Initial Serial No. and Color Code

(A) Frame Serial No.	
(B) Engine Serial No.	7T0-200101 and following



Color Code	Color Name	Abbreviate

7. Applicable colors of graphics are represented in the "Remarks" column by the letter(s) appropriately picked out of the full word(s) showing such colors.

**EXAMPLE**

Part No.	Description	Q'ty	Remarks
2N4-24110-00-X5	FUEL TANK COMP.	1	MAXIM RED
3J1-24240-10	. GRAPHIC, fuel tank set	1	for MXR

# CONTENTS

Fig. 1	CYLINDER, EXHAUST .....	1
Fig. 2	CRANK · PISTON · DRIVE .....	2
Fig. 3	INLET, VALVE .....	3
Fig. 4	CRANKCASE .....	4
Fig. 5	C.D.I. MAGNETO .....	5
NUMERICAL INDEX		

Fig. 1 CYLINDER · EXHAUST

Ref.No.	Part No.	Description	Q'ty	Remarks
1- 1	7T0-11111-00	HEAD, cylinder	1	
2	*	PLUG, spark (champion N-57G)	1	LM
3	90116-08N02	BOLT, stud	4	
4	90201-08676	WASHER, plate	4	
5	90170-08N00	NUT	4	
6	7T0-11310-01	CYLINDER BODY ASS'Y	1	
7	7T0-11312-00	SLEEVE, cylinder	1	
8	7T0-11351-00	GASKET, cylinder	1	
9	7K0-14613-00	GASKET, exhaust	1	
10	7K0-14623-00	GASKET, exhaust 2	1	
11	90116-08N03	BOLT, stud	2	
12	92901-08100	WASHER, spring	2	
13	90179-08N03	NUT	2	
14	7K0-14610-10	EXHAUST PIPE ASS'Y	1	

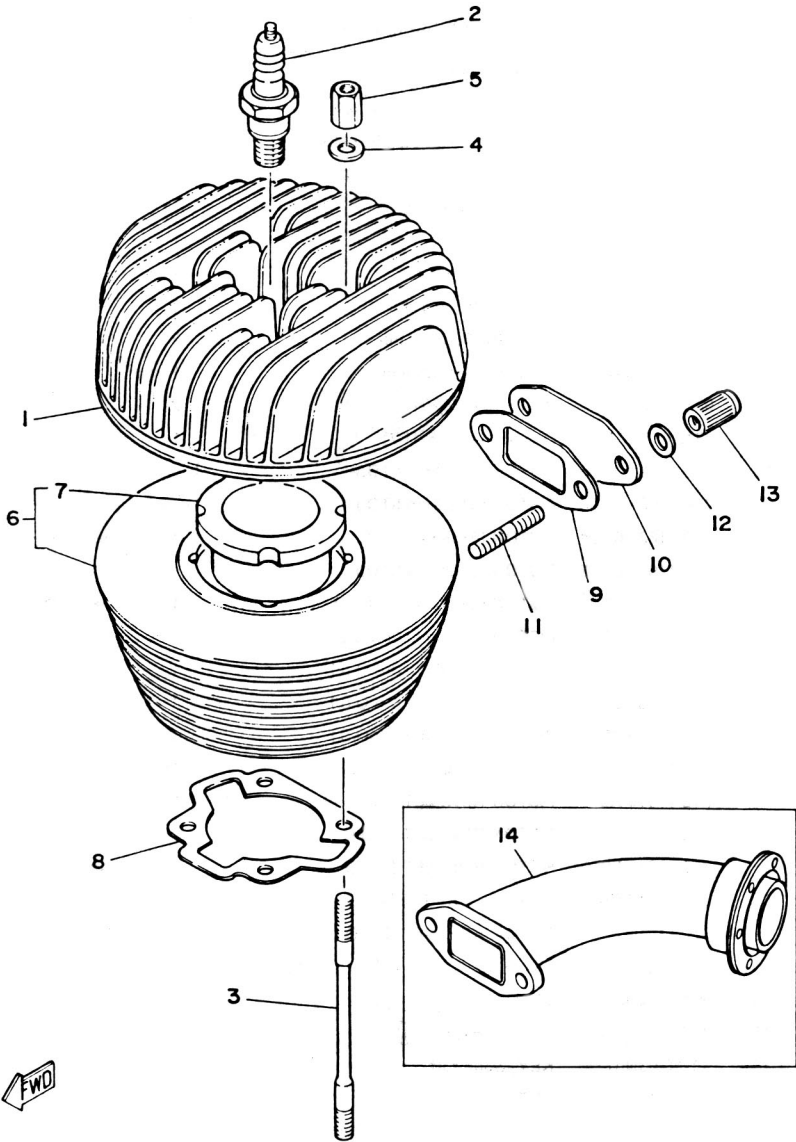


Table of correspondance between piston & piston rings

	Pistons	Piston rings
Standard	770-11631-01-92 PISTON (51.92mm S.T.D.)	770-11610-00 PISTON RING SET (S.T.D.)
	770-11631-01-93 PISTON (51.93mm S.T.D.)	
	770-11631-01-94 PISTON (51.94mm S.T.D.)	
	770-11631-01-95 PISTON (51.95mm S.T.D.)	
	770-11635-01 PISTON (52.00mm 1st O.S.)	
1st over size	770-11636-01 PISTON (52.10mm 2nd O.S.)	770-11610-A0 PISTON RING SET (1st O.S.)
2nd over size	770-11637-01 PISTON (52.20mm 3rd O.S.)	770-11610-E0 PISTON RING SET (2nd O.S.)
3rd over size	770-11638-01 PISTON (52.30mm 4th O.S.)	770-11610-F0 PISTON RING SET (3rd O.S.)
4th over size	770-11639-01 PISTON (52.40mm 5th O.S.)	770-11610-G0 PISTON RING SET (4th O.S.)
5th over size		770-11610-H0 PISTON RING SET (5th O.S.)

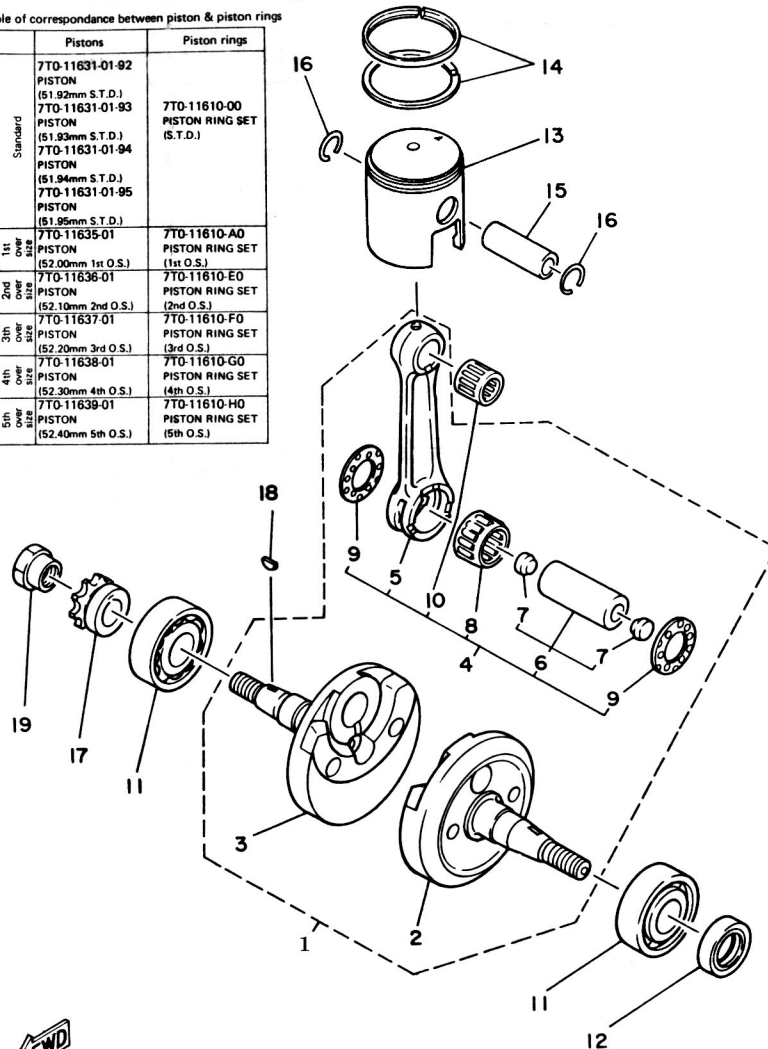
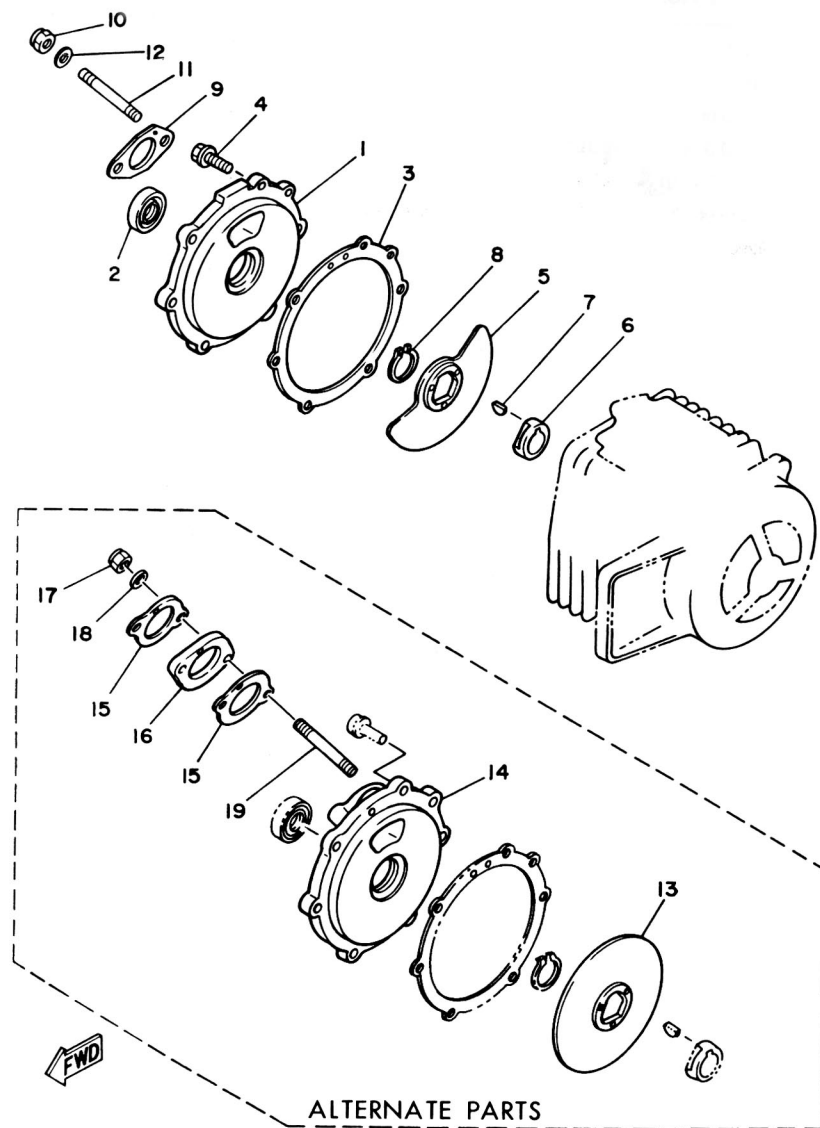


Fig. 2 CRANK · PISTON · DRIVE

Ref.No.	Part No.	Description	Q'ty	Remark
2- 1	770-11400-00	CRANK ASS'Y	1	
2	770-11410-00	. CRANKSHAFT ASS'Y, left	1	
3	770-11420-00	. CRANKSHAFT ASS'Y, right	1	
4	770-11650-00	. CONNECTING ROD ASS'Y	1	
5	7K0-11651-01	.. ROD, connecting	1	
6	770-W1161-00	.. PIN, crank	1	
7	7K0-11682-00	... BUSH, crank pin	2	
8	93310-318T5	.. BEARING, big end	1	
9	90209-18112	.. WASHER, crank pin	2	
10	93310-214F8	. BEARING, small end	1	
11	93306-204T4	BEARING (B6204C4)	2	
12	93101-18N01	OIL SEAL (17.5-31-7)	1	
13	770-11631-01-92	PISTON (51.92mm STD.)	1	U.R.
	770-11631-01-93	PISTON (51.93mm STD.)		
	770-11631-01-94	PISTON (51.94mm STD.)		
	770-11631-01-95	PISTON (51.95mm STD.)		
	770-11635-01	PISTON (52.00mm 1st O.S.)		
	770-11636-01	PISTON (52.10mm 2nd O.S.)	1	AP
	770-11637-01	PISTON (52.20mm 3rd O.S.)	1	AP
	770-11638-01	PISTON (52.30mm 4th O.S.)	1	AP
	770-11639-01	PISTON (52.40mm 5th O.S.)	1	AP
14	770-11610-00	PISTON RING SET (STD.)	1s	
	770-11610-A0	PISTON RING SET (1st O.S.)	1s	AP
	770-11610-E0	PISTON RING SET (2nd O.S.)	1s	AP
	770-11610-F0	PISTON RING SET (3rd O.S.)	1s	AP
	770-11610-G0	PISTON RING SET (4th O.S.)	1s	AP
	770-11610-H0	PISTON RING SET (5th O.S.)	1s	AP
15	770-11633-00	PIN, piston	1	
16	90468-12N00	CLIP	2	
17	7K0-17491-00	SPROCKET, drive (10T)	1	
18	90280-03N01	KEY, wood ruff	1	
19	90179-12N04	NUT	1	

Fig. 3 INLET - VALVE



Ref.No.	Part No.	Description	Q'ty	Remarks
3- 1	7T0-13551-10	COVER, rotary valve	1	
2	93101-18N01	OIL SEAL (17.5-31-7)	1	
3	7T0-13563-00	GASKET, valve cover	1	
4	90109-06N08	BOLT	1	
5	7T0-13512-00	VALVE	1	
6	7K0-13515-00	COLLAR, rotary valve	1	
7	90280-03N01	KEY, woodruff	1	
8	93410-17008	CIRCLIP	1	
9	789-13556-10	GASKET, carburetor	2	
10	90185-06N00	NUT, self-locking	2	
11	90116-06N05	BOLT, stud	2	
12	92901-06600	WASHER, plate	2	
<b>ALTERNATE PARTS</b>				
13	7K0-13512-11	VALVE	1	
14	7T0-13551-00	COVER, rotary valve	1	
15	7K0-13556-00	GASKET, carburetor	2	
16	7K0-13555-00	JOINT	1	
17	92901-05600	WASHER, plate	2	
18	90185-05N05	NUT, self-locking	2	
19	90116-05N01	BOLT, stud	2	

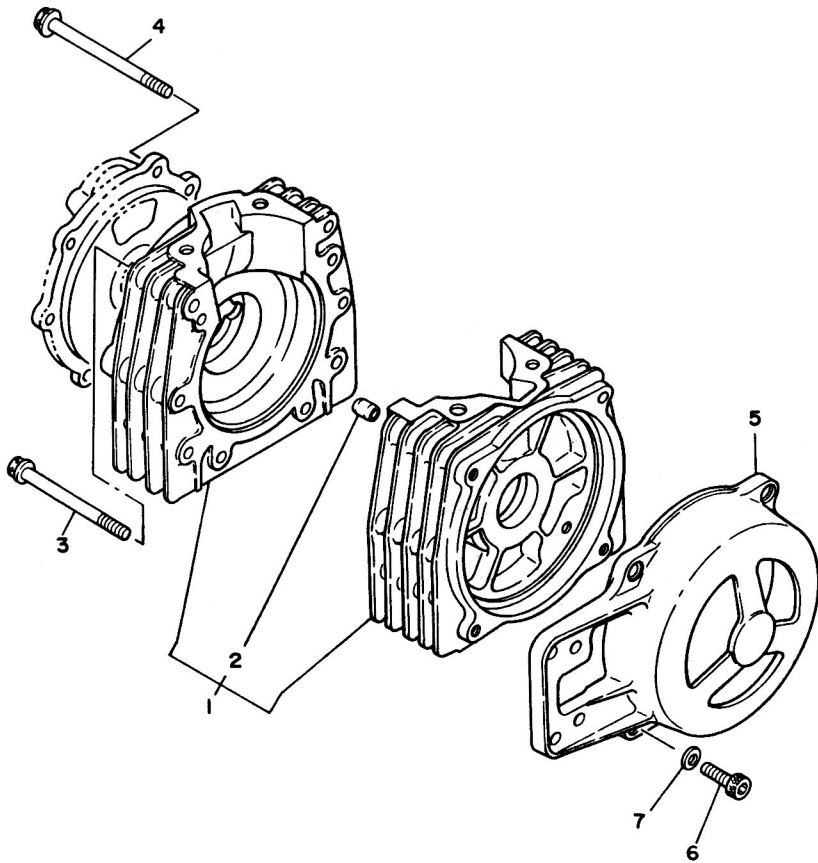


Fig. 4 CRANKCASE

Ref.No.	Part No.	Description	Q'ty	Remarks
4-1	7T0-15100-01	CRANKCASE ASS'Y	1	
2	91810-08N00	. PIN, dowel	1	
3	90109-06N09	BOLT	4	
4	90109-06N10	BOLT	6	
5	7K0-15411-01	COVER, crankcase	1	
6	91316-06020	BOLT, hexagon with socket head	4	
7	92901-06600	WASHER, plate	4	

FWD

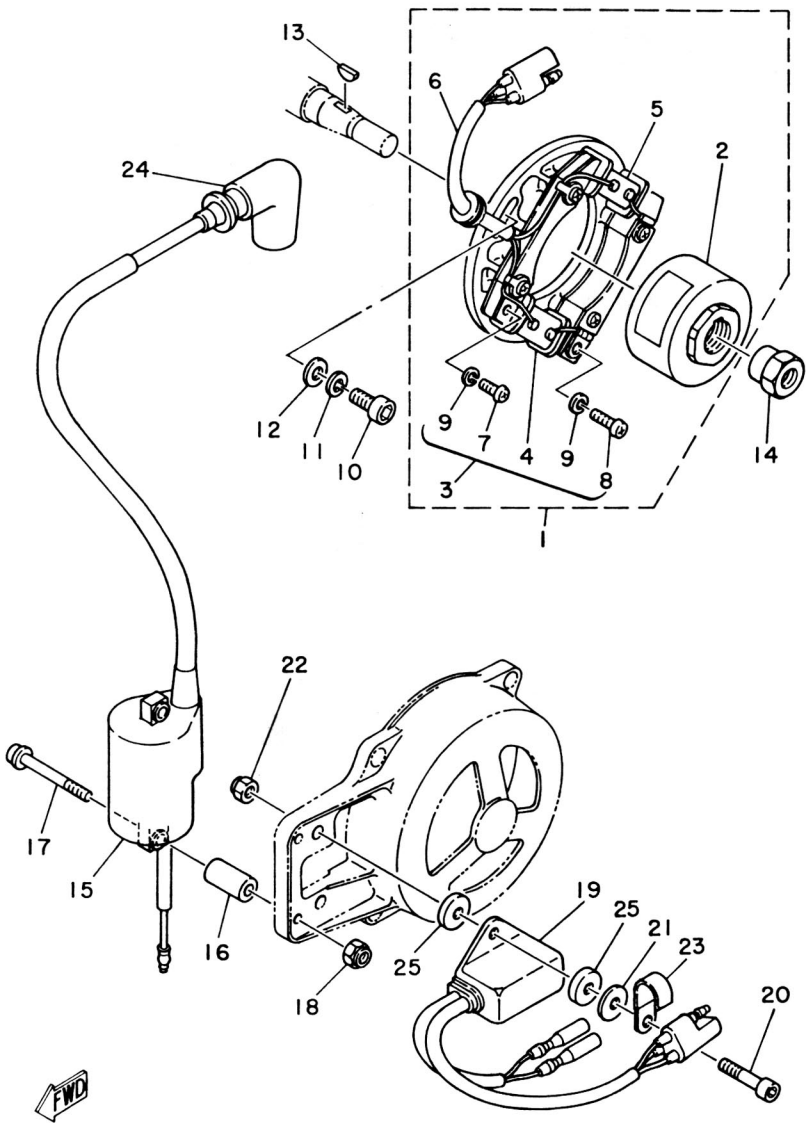


Fig. 5 C.D.I. MAGNETO

Ref.No.	Part No.	Description	Q'ty	Remarks
5- 1	7K0-85500-K1	C.D.I. MAGNETO ASS'Y	1	
2	7K0-85551-K1	. ROTOR ASS'Y	1	
3	7K0-85510-K1	. STATOR ASS'Y	1	
4	7K0-85566-K0	.. COIL 1	1	
5	7K0-85567-K0	.. COIL 2	1	
6	7K0-85515-K1	.. WIRE, lead	1	
7	92502-06016	.. SCREW, panhead	2	
8	92502-06035	.. SCREW, panhead	4	
9	92902-06100	.. WASHER, spring	4	
10	91316-06020	BOLT, hexagon with socket head	2	
11	92901-06100	WASHER, spring	2	
12	90201-06674	WASHER, plate	2	
13	90280-03027	KEY, woodruff	1	
14	90179-12N08	NUT	1	
15	7K0-85570-K1	IGNITION COIL ASS'Y	1	
16	90387-06N11	COLLAR	2	
17	90109-05N07	BOLT	2	
18	90185-05N05	NUT, self-locking	2	
19	7K0-85540-K1	C.D.I. UNIT ASS'Y	1	
20	91316-06025	BOLT, hexagon with socket head	2	
21	90201-06557	WASHER, plate	2	
22	90185-06N00	NUT, self-locking	2	
23	90465-08028	CLAMP	1	
24	3R0-82370-20	PLUG CAP ASS'Y	1	
25	7K0-85547-00	DAMPER	4	



# **NUMERICAL INDEX**

## NUMERICAL INDEX

Part No.	Ref.No.	Part No.	Ref.No.	Part No.	Ref.No.	Part No.	Ref.No.	Part No.	Ref.No.	Part No.	Ref.No.
7T0-W1161-00	2- 6	789-13556-10	3- 9	90201-06557	5-21						
7T0-11111-00	1- 1	7T0-13563-00	3- 3	90201-06674	5-12						
7T0-11310-01	1- 6	7K0-14610-10	1-14	90201-08676	1- 4						
7T0-11312-00	1- 7	7K0-14613-00	1- 9	90209-18112	2- 9						
7T0-11351-00	1- 8	7K0-14623-00	1-10	90280-03N01	2-18						
7T0-11400-00	2- 1	7T0-15100-01	4- 1	90280-03N01	3- 7						
7T0-11410-00	2- 2	7K0-15411-01	4- 5	90280-03027	5-13						
7T0-11420-00	2- 3	7K0-17491-00	2-17	90387-06N11	5-16						
7T0-11610-A0	2-14	3R0-82370-20	5-24	90465-08028	5-23						
7T0-11610-E0	2-14	7K0-85500-K1	5- 1	90468-12N00	2-16						
7T0-11610-G0	2-14	7K0-85510-K1	5- 3	91316-06020	4- 6						
7T0-11610-F0	2-14	7K0-85515-K1	5- 6	91316-06020	5-10						
7T0-11610-H0	2-14	7K0-85540-K1	5-19	91316-06025	5-20						
7T0-11610-00	2-14	7K0-85547-00	5-25	91810-08N00	4- 2						
7T0-11631-01-92	2-13	7K0-85551-K1	5- 2	92502-06016	5- 7						
7T0-11631-01-93	2-13	7K0-85566-K0	5- 4	92502-06035	5- 8						
7T0-11631-01-94	2-13	7K0-85567-K0	5- 5	92901-05600	3-17						
7T0-11631-01-95	2-13	7K0-85570-K1	5-15	92902-06100	5- 9						
7T0-11633-00	2-15	90109-05N07	5-17	92901-06100	5-11						
7T0-11635-01	2-13	90109-06N08	3- 4	92901-06600	3-12						
7T0-11636-01	2-13	90109-06N09	4- 3	92901-06600	4- 7						
7T0-11637-01	2-13	90109-06N10	4- 4	92901-08100	1-12						
7T0-11638-01	2-13	90116-05N01	3-19	93101-18N01	2-12						
7T0-11639-01	2-13	90116-06N05	3-11	93101-18N01	3- 2						
7T0-11650-00	2- 4	90116-08N02	1- 3	93306-204T4	2-11						
7K0-11651-01	2- 5	90116-08N03	1-11	93310-214F8	2-10						
7K0-11682-00	2- 7	90170-08N00	1- 5	93310-318T5	2- 8						
7T0-13512-00	3- 5	90179-08N03	1-13	93410-17008	3- 8						
7K0-13512-11	3-13	90179-12N04	2-19								
7K0-13515-00	3- 6	90179-12N08	5-14								
7T0-13551-00	3-14	90185-05N05	3-18								
7T0-13551-10	3- 1	90185-05N05	5-18								
7K0-13555-00	3-16	90185-06N00	3-10								
7K0-13556-00	3-15	90185-06N00	5-22								

COPY RIGHT: ALL RIGHTS RESERVED  
NO PART OF THIS PUBLICATION MAY BE  
REPRODUCED WITHOUT PERMISSION.



**YAMAHA**

YAMAHA MOTOR CO., LTD.  
2500 SHINGAI IWATA-SHI SHIZUOKA-KEN JAPAN

PRINTED IN JAPAN  
First edition Sep., 1982

**TG**