

CA-CARBURETOR & FUEL SYSTEM

CA

**CARBURETOR
SECTION**

AA

**BRAND
OR
DESCRIPTION**

000

**PART
NUMBER**

AIRBOX	Page CA-2
AIRBOX ADAPTORS	Page CA-4
AIR BOX FILTER	Page CA-5
AIRBOX RUBBER & TUBES	Page CA-3
AIRBOX WET BOX	Page CA-5
CABLES & CLAMPS	Page CA-6
CLIPS AIRBOX	Page CA-7
CARBURETOR TILLOTSON	Page CA-8-10
CARBURETOR WALBRO	Page CA-9-10
FUEL FILTERS	Page CA-12
FUEL TANKS DPE	Page CA-13-14
FUEL TANKS RIGHETTI RIDOFI	Page CA-15
FUEL TANK FITTINGS & PARTS	Page CA-16
INLET GASKETS	Page CA-17

AIRBOX'S



IAME FILTER POD for RL LEOPARD & X30
CAAB048F1KAIAME



RL & X30
KG AIR BOX
SILVER **CAAB0483**

AKA CONTROLLED AIRBOX



part number
CAAB048AKA
[includes filter & hose clip]



REPLACEMENT FILTER PODS
BITUMIN AKA FILTER

SPEEDWAY or DIRT



CAAB048F1AKA



FINNER FOAM FOR BETTER FILTERING
CAAB048F1AKAD

AIRBOX ADAPTER



CAAA046A0
KARTECH BRAND WALBRO



CAAA045
COMER S80 TILLOTSON

NEW STYLE AIRBOX ADAPTER
MACHINED FROM AN ALLOY BILLET

CAAA046A1

ITALSPORT ALUMINIUM



GENUINE YAMAHA

CAAA046A

STANDARD PRESSED TIN ADAPTER

CAAA044

AIRBOX PARTS



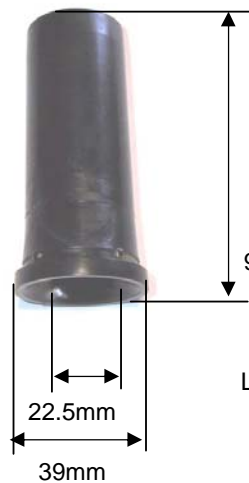
RUBBER AIRBOX ADAPTOR SUITS ALL AIRBOX'S
CAAB048E



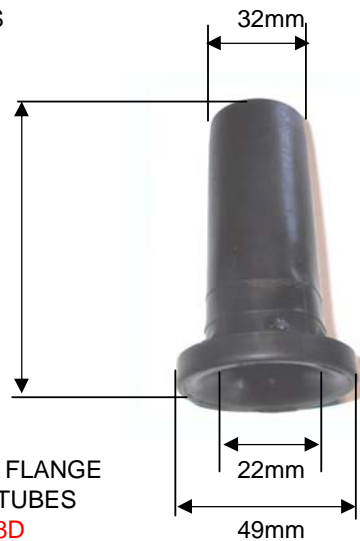
49mm
GAUZE FILTER FOR INLET TUBE
ONLY FITS R/R AIRBOX TUBES

CAAB048B2

KSI & KARTECH
AIRBOX TUBES
CAAB048C



LARGER INLET FLANGE
R/R AIRBOX TUBES
CAAB048D



HOSE CLIPS Worm Drive



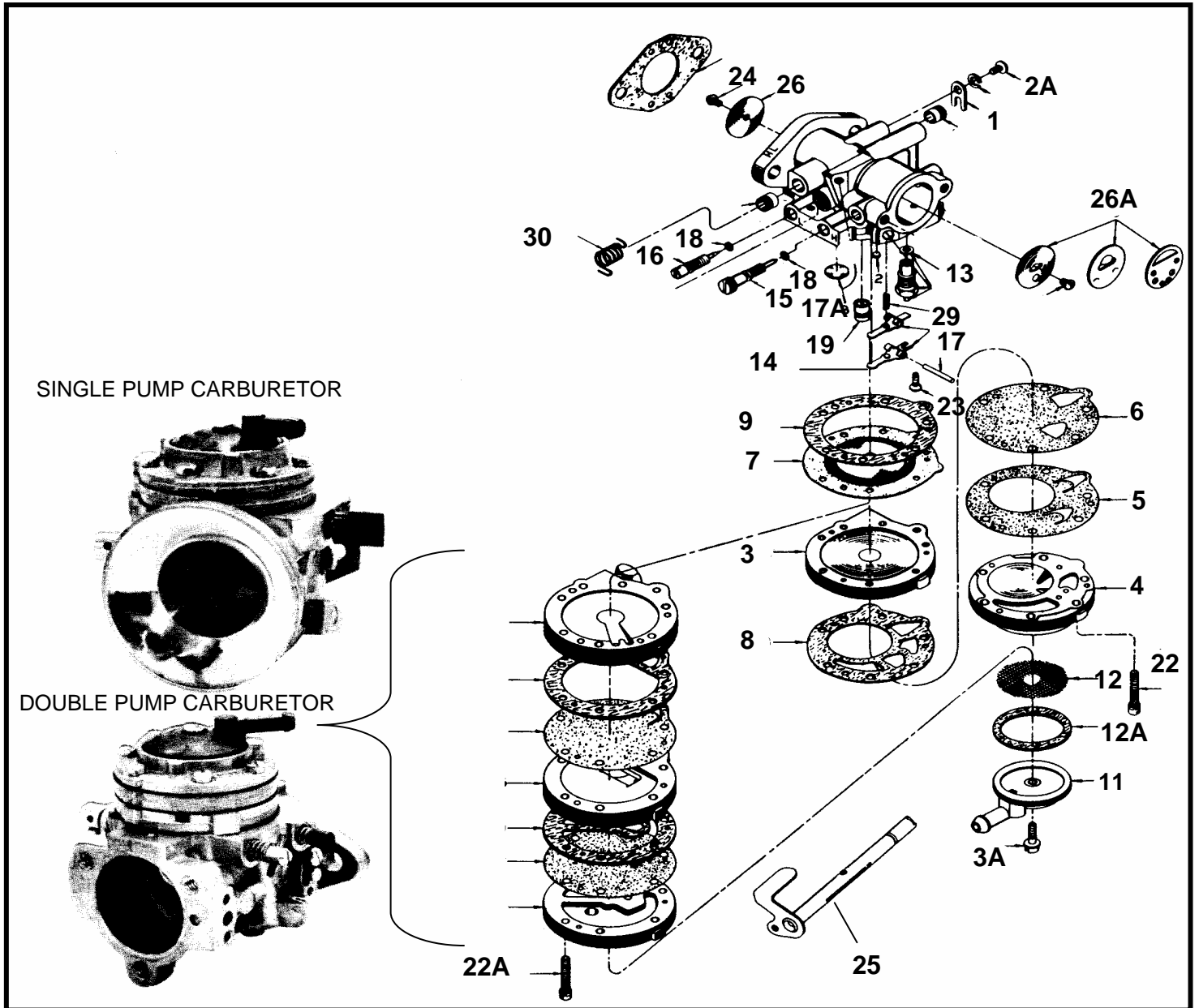
NORMA HOSE CLIPS ARE MADE FROM HIGH QUALITY STAINLESS STEEL
 THERE NARROW 9mm BAND WITH SLIGHTLY ROLLED UP EDGES ENSURES GOOD SEALING WITH
 NO DAMAGE TO THE HOSE.

8mm SOCKET CAN BE USED TO TIGHTEN CLIP IN DIFFICULT PLACES

Size	Part Number
8mm-12mm	CAFC8/12
10mm-16mm	CAFC10/16
12mm-20mm	CAFC12/20
16mm-25mm	CAFC16/25
20mm-32mm	CAFC20/32
25mm-40mm	CAFC25/40
32mm-50mm	CAFC32/50
30mm-45mm	CAFC30/45
40mm-60mm	CAFC40/60
50mm-70mm	CAFC50/70
60mm-80mm	CAFC60/80
70mm-90mm	CAFC70/90
80mm-100mm	CAFC80/100
90mm-110mm	CAFC90/110

Rotax

Tillotson Carburetor Schematics



COMER S80 COMPLETE CARBURETOR ASSEMBLY

GATI300

WALBRO

CARBURETOR SCHEMATICS

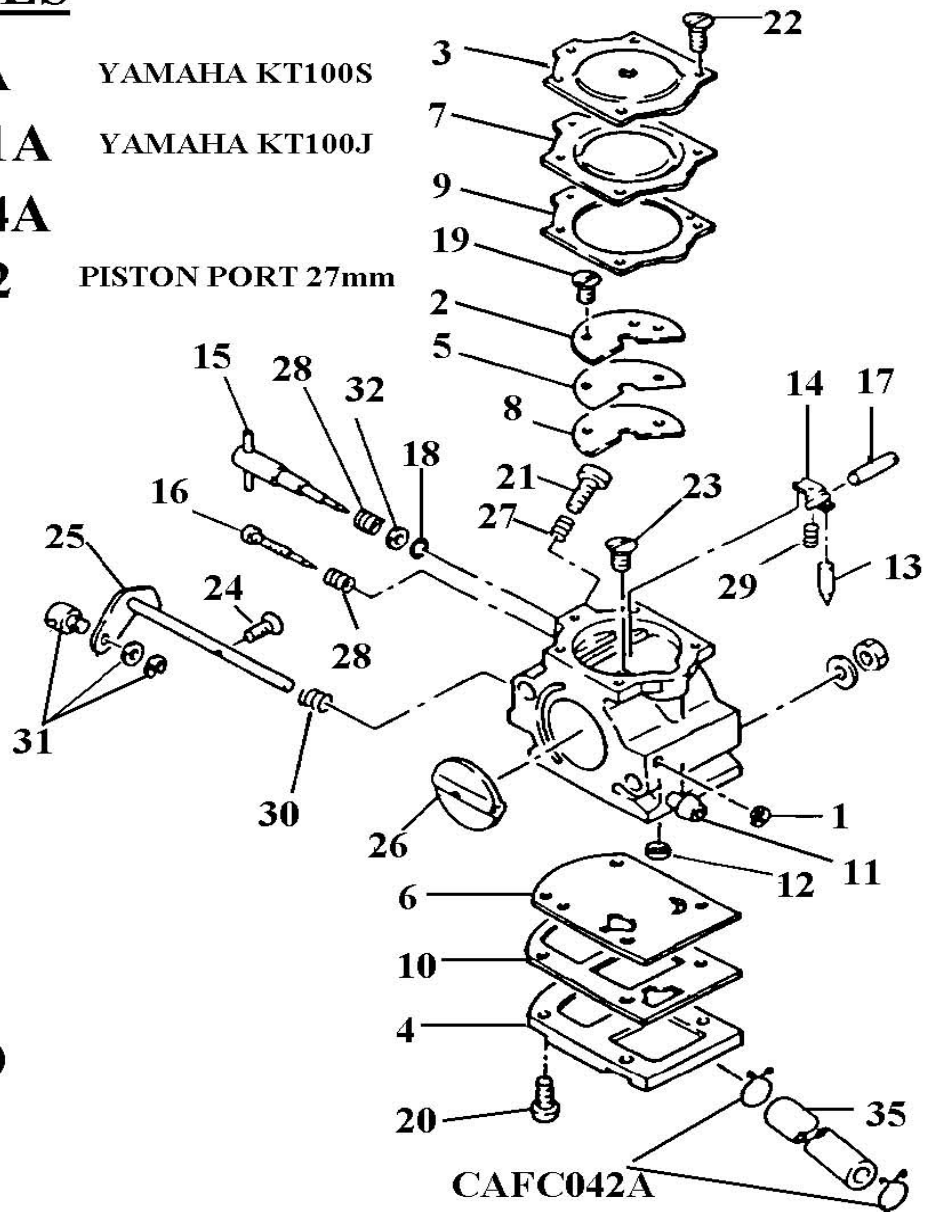
MODELS

WB-3A YAMAHA KT100S

WB-11A YAMAHA KT100J

WB-24A

WB-32 PISTON PORT 27mm



AGS

CARBURETOR PARTS GENERAL	F I G	WALBRO WB Yamaha	TILLOTSON EARLY	TILLOTSON LEOPARD	TILLOTSON S80 COMER
CARBURETOR ASSEMBLY		CAWA001		CAT1301[RL] CAT1303X30	CAT1300
CLIP THROTTLE SHAFT	1 or 2	[1] CAWA002	[2] CAT1133	[2] CAT1133	[2] CAT1133A
COVER CHECK VALVE	2	CAWA029			
SCREW T/SHAFT CLIP	2A		CAT1133B	CAT1133B	CAT1133B
COVER METERING DIA	3	CAWA004	CAT1104	CAT1104	CAT1104
SCREW COVER FUEL INLET	3A		CAT1114	CAT1114	CAT1114
COVER FUEL PUMP	4	CAWA005			
DIAPHRAM CHECK VALVE	5	CAWA013			
DIAPHRAM FUEL PUMP	6	CAWA014			
DIAPHRAM FUEL PUMP TEFLON	6	CAWA014A	CAT1146	CAT1146	CAT1146
DIAPHRAM METERING	7	CAWA010A	CAT1145	CAT1145	CAT1145
GASKET CHECK VALVE	8	CAWA012			
GASKET METERING DIA	9	CAWA010	CAT1102	CAT1102	CAT1102
GASKET FUEL PUMP	10	CAWA011	CAT1106	CAT1106	CAT1106
GASKET FUEL SCREEN			CAT1112	CAT1112	CAT1112
INLET FITTING/COVER	11	CAWA010B	CAT1113C	CAT1113C	CAT1113C
INLET FUEL SCREEN WALBRO	12	CAWA027			
INLET FUEL SCREEN YAMAHA	12	CAWA027A	CAT1111 [Tillotson]	CAT1111 [Tillotson]	CAT1111 [Tillotson]
INLET NEEDLE & SEAT	13	CAWA009	CAT1123	CAT1123B Note 2	CAT1124
KIT DIAPHRAM/GASKET		CAWA032	CAT1142A	CAT1142A	CAT1142
KIT O/HAUL		CAWA031	CAT1144	CAT1144	CAT1143A
LEVER METERING	14	CAWA030	CAT1120	CAT1120C	CAT1120C
NEEDLE HIGH SPEED	15	CAWA025	CAT1126	CAT1126	CAT1126A
NEEDLE LOW SPEED	16	CAWA024	CAT1115	CAT1115	CAT1115A
PIN METERING LEVER	17	CAWA028	CAT1120	CAT1120	CAT1120C
PLUG WELSH	17A		CAT1101	CAT1101	
O/RING PACKING	18	CAWA003	CAT1118	CAT1118	CAT1118
SCREW CHECK PLATE	19	CAWA017			
SCREW FUEL PUMP COVER	20	CAWA019	CAT1110	CAT1110A	CAT1110A
SCREW IDLE ADJUSTER	21	CAWA016	CAT1119	CAT1119	CAT1119
SCREW METERING COVER	22	CAWA018	CAT1110	CAT1110A	CAT1110A
SCREW METERING LEVER	23	CAWA015	CAT1122	CAT1122	CAT1122
SCREW T/SHAFT SHUTTER	24	CAWA018	CAT1137	CAT1137	[24-24A] CAT1137
SHAFT THROTTLE	25	CAWA006	CAT1131	CAT1131	CAT1135B Note 3
SHUTTER THROTTLE SHAFT	26	CAWA007	CAT1136	CAT1136	CAT1136B
SPRING IDLE SCREW	27	CAWA022			
SPRING IDLE JET	28	CAWA020	CAT1127	CAT1127	CAT1127
SPRING LOW JET	28	CAWA020	CAT1116	CAT1116	CAT1116
SPRING METERING LEVER	29	CAWA021	CAT1125	CAT1125	CAT1125C
SPRING THROTTLE SHAFT	30	CAWA023	CAT1135	CAT1135	CAT1134
SWIVEL ASSEMBLY	31	CAWA008			CAT1135A [Lever]
WASHER PACKING LOW JET	32	CAWA026	CAWA026	CAWA026	CAWA026
CHOKE SHAFT ASSY[inc shaft & lever]					CAT1136D
CHOKE SHAFT [bare]					CAT1136D1
BUTTERFLY CHOKE	26A				CAT1136C
SCREW [butterfly & lever]					CAT1137
SPRING CHOKE SHAFT					CAT1136D1A
CABLE RETURN SPRING		CACS040	CACS041TILLO	CACS041TILLO	EP210 S80081
JET FLEXIBLE LOW [WALBRO]		CAFJ033			

Notes
DOUBLE PUMPER KITS ALLKY [O/HAUL] CAT1143
DOUBLE PUMPER KITS ALLKY [DIAPHRAM] CAT1141

Note 2
Leopard 125 **CAT1123B** [Rubber Tipped Needle]
Standard Tillotson **CAT1123** [Metal Needle/Rubber Seat]

Note 3
COMER T/SHAFT LEVER **[CAT1135A]** BARE T/SHAFT **[CAT1135B]** , CHOKE SHAFT COMPLETE **[CAT1136D]** BARE SHAFT **[CAT1136D1]**

CARBURETOR REPAIR KITS



WALBRO CARBURETORS

GASKET/DIAPHRAM KIT

- Pump Diaphragm Rubber
 - Pump Diaphragm Teflon
 - Gasket Pump Diaphragm
 - Metering Diaphragm
 - Gasket Metering Diaphragm
 - Check Valve Diaphragm
 - Gasket Check Valve Diaphragm
- part number **CAWA032**



part number **CAWA031**

Over Haul kit consists of the Gasket/Diaphragm Kit **CAWA031** & the following

- Metering Lever
- Pivot pin Metering Lever
- Inlet Filter
- Inlet Needle

TILLOTTSON CARBURETORS



- part number **CATI142** COMER S80
- part number **CATI142A** STANDARD [LEOPARD]
- part number **CATI142B** IBEA

Standard Kit Suits all Tillotson Carburetors

- Pump Diaphragm Teflon
- Gasket Pump Diaphragm
- Metering Diaphragm
- Gasket Metering Diaphragm



- part number **CATI143A** COMER S80
- part number **CATI144** STANDARD [LEOPARD]

Comer S80

- Pump Diaphragm Teflon
- Gasket Pump Diaphragm
- Metering Diaphragm
- Gasket Metering Diaphragm
- Gasket Inlet Bowl
- Gasket Mounting
- Inlet Needle & Seat
- Metering Lever

CARBURETORS , PARTS & REPAIR KITS



COMER SW80 TILLOTSON
CATI300



LEOPARD RL TILLOTSON
CATI301



CATI142 S/W80 COMER
CATI142A STD/LEOPARD
GAT142B IBEA
CATI1143A S/W80 COMER
CATI144 STD/LEOPARD



CATI140 LEOPARD
CATI140PRD



CATI1131
CATI1133 STANDARD
CATI1133A COMER



CATI111

CAWA001



CAFJ033

MAIN JET
CAWA025



CAWA020

CAWA024

THROTTLE SHAFT
CAWA006



CLIP T/SHAFT
CAWA002

BUTTERFLY
CAWA007

SWIVEL KIT
CAWA008



CAWA031



CAWA032

FUEL LINE



KARTECH TUBE

6mm I.D.

HIGH RESISTANCE FROM GOING HARD

SOLD IN 1 Metre & 20 Metre LENGTHS

CAFL043A1 [1 METRE]

CAFL043A2 [20 METRE]



US KART TUBE

6mm I.D.

EXTRA HIGH RESISTANCE FROM GOING HARD

SOLD IN 1 Metre & 50 Metre LENGTHS

CAFL043F [1 METRE]

CAFL043H [50 METRE]

ADJUSTABLE LOW SPEED JET

WALBRO



WALBRO FUEL FILTER

CAFF050R/R



ROTAX STYLE FUEL FILTER

CAFF050B



FLEX FET

CAFJ033

Cables & Cable Clamps

AGS BRAND



SILVER

BLACK

CACC041SA

CACC041A5



RIGHETTI RIDOLFI BRAND

SILVER

BLACK

BLUE

GOLD

TITANIUM

CACC041SAR/R

CACC041A5R/R

CACC041A2R/R

CACC041A3R/R

CACC041A6R/R



Throttle cables

Genuine Yamaha Cable [black]

Universal 1400mm Inner length [black]

Universal long 1160mm Inner length [black]

Universal 1400mm Teflon Inner lined [black]

Universal INNER ONLY

GAC087

GAC087A

GAC087C

GAC087D

GAC087INNER



CACC041LOCK



CACC041



BR211A

6mm ADJUSTER



CAFT052B

PICK UP WEIGHT

AX9-X1 DPE FUEL TANKS

CAFT055A3



CAFT049



CAFT057C



CAFT048



CAFT057B



CAFT052B

6 Litre Tank
Part Number
CAFT055F1A
[FT6B2C]

FUEL TANKS Righetti Ridolfi



OVER FLOW TANK
CAFT058A



KARTECH
CAFT059



3 litre Fuel Tank
Secured by Steering Uprights
CAFT055B



Mounting
brackets
not Inc.
with TANK



3 litre Fuel Tank
Secured by plastic bracket at rear
or foot cradle on Floor Tray
CAFT055B1



Mounting
brackets
not Inc.
with TANK

5 & 7 litre Fuel Tank
Secured by plastic bracket at rear
or foot cradle on Floor Tray

CAFT055BA [5 Litre] CAFT055CO [7 Litre]



7.5 litre Fuel Tank
CAFT055C



CAFT058
Flat Back Tank rear
mounting Kit.



CAFT052A
Tank Pickup assy,



CAFT052A2
Filler Caps



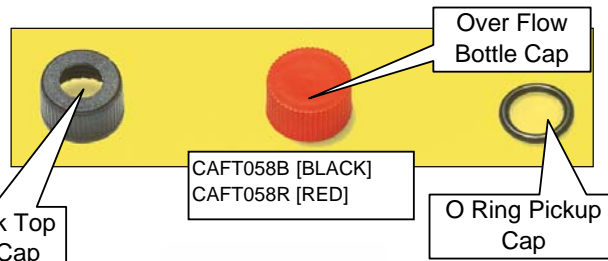
CAFT057A
Mounting Floor Tray Foot



9 litre Fuel Tank
CAFT055D1

Mounting
brackets
not Inc.
with TANK

FUEL TANK ACCESSORIES



Fuel Tank Top Pickup Cap
CAFT052C

CAFT058B [BLACK]
CAFT058R [RED]

O Ring Pickup Cap



FUEL OVER FLOW BOTTLE
Can be used for fuel or water
CAFT058A [BLACK] **CAFT058AR** [RED]

FUEL TANK PICKUP WEIGHT
CAFT052B [KARTECH]
CAFT05R/R [R/R]



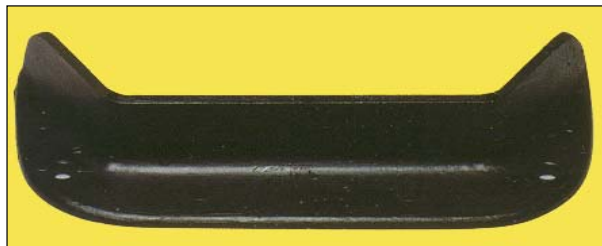
CAFT058

FUEL TANK CIK STYLE
BRACKET KIT STEERING
UPRIGHTS

CAFT058R



FUEL TANK PICKUP COMPLETE
RIGHETTI RIDOLFI TANKS
CAFT052A



FUEL TANK
BOTTOM BRACKET
RIGHETTI RIDOFI
CAFT057A

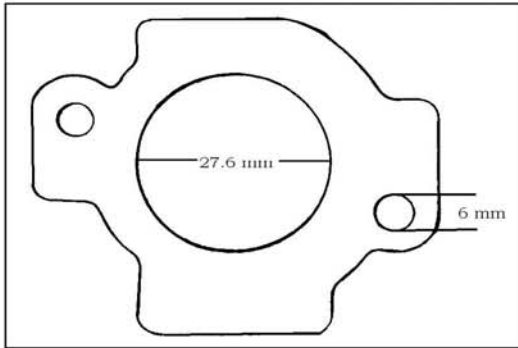


CAFT058R2
MOUNTING BRACKET & O RING

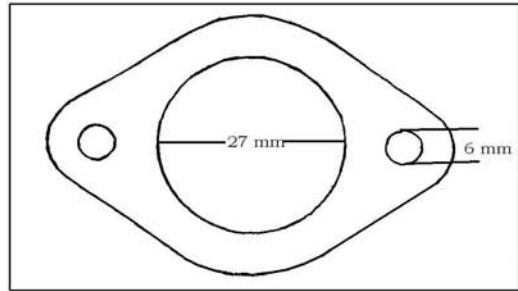


CAFT058R1
MOUNTING BRACKET & O RING

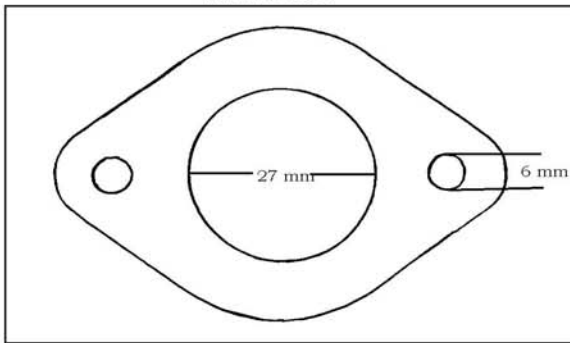
INLET GASKETS SCHEMATRICS



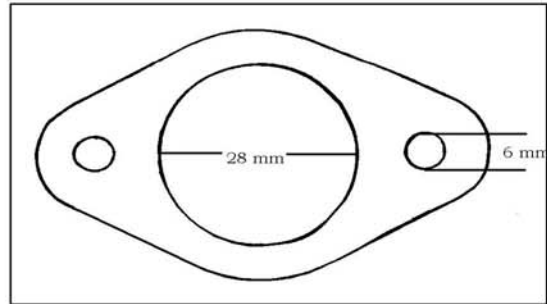
YAMAHA KT100S
CARBURETOR TO ALLOY SPACER
EPY685



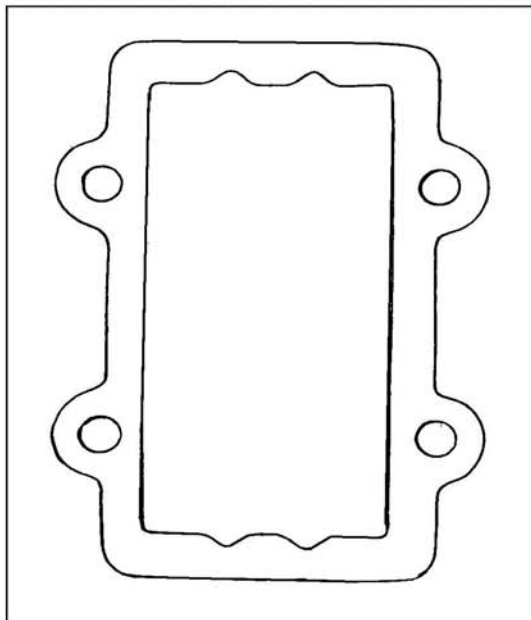
YAMAHA KT100S
BOTH SIDES PHENOLIC BLOCK [2]
EPY688



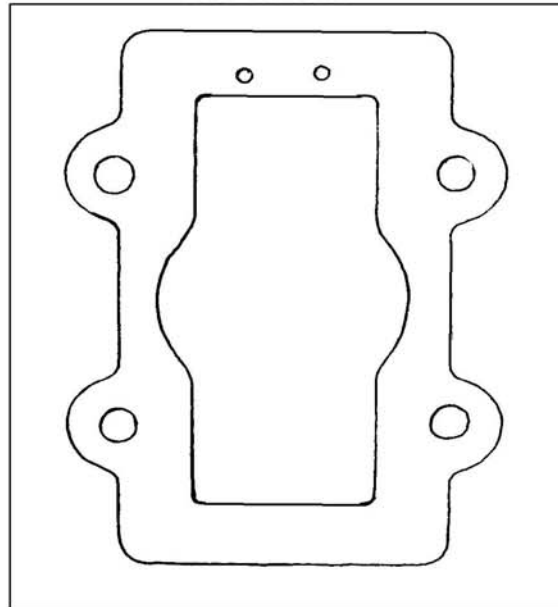
YAMAHA KT100J
BOTH SIDES PHENOLIC BLOCK [2]
EPY691



PRD PISTON PORT
BOTH SIDE INLET PLASTIC SPACER [2]
EPPR9063



REED BLOCK GASKET
BETWEEN REED BLOCK & CRANKCASE
EPG020



REED BLOCK GASKET
BETWEEN REED BLOCK & MANIFOLD
EPG021