

TL--TOOLS

TL

**TOOL
SECTION**

AA

**BRAND
OR
DESCRIPTION**

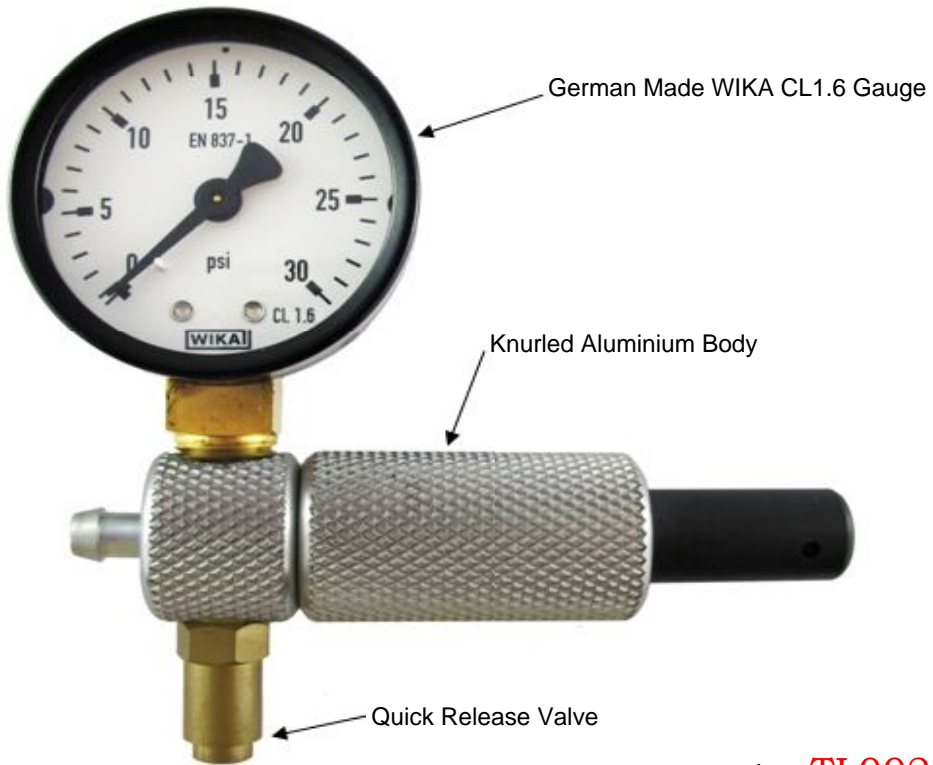
000

**PART
NUMBER**

CARBY TESTERS
CHAIN BREAKERS
PRESSURE CLEANERS
PULLER IGNITION & SPROCKET
SPROCKET HOLDER
T-HANDLES
TYRE CHANGERS
TYRE BEAD BREAKERS
TYRE GUAGES
WHEEL ALIGNMENT
KART TROLLYS

Page TL-2
Page TL-3
Page TL-7
Page TL-5
Page TL-3
Page TL-7
Page TL-8
Page TL-8
Page TL-8
Page TL-9
Page TL-10

CARBURETOR PRESSURE GAUGE Italsport



part number **TL002**



NEW PRODUCT ITALSPORT CARBY ADAPTOR for BLOW OFF GAUGE
[USED TO CHECK BLOW OFF PRESSURE ON TILLOTSON CARBURETORS]

part number **TL002A**

CHAIN TOOLS

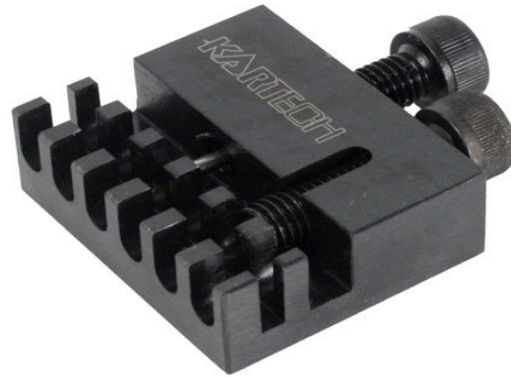
CHAIN BREAKERS



T01BP

REPLACEMENT BOLT

TL003A1



T01

KARTECH

TL003A

ENGINE SPROCKET HOLDER



CHAIN MEASURING TOOL

TL003C



KARTECH

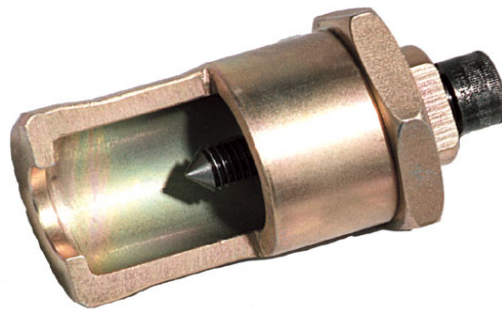
TL012D

ENGINE SPROCKET PULLERS



ITALSPORT

TL012A



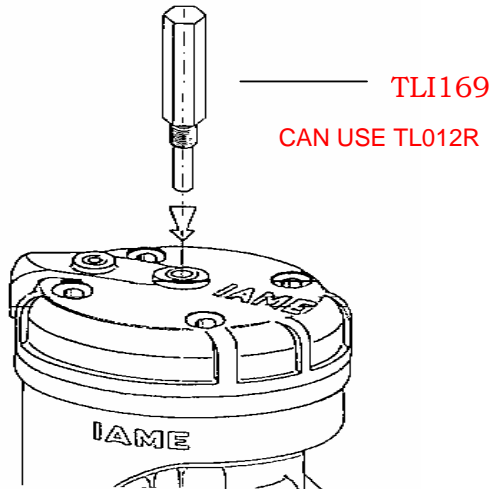
KARTECH

TL012

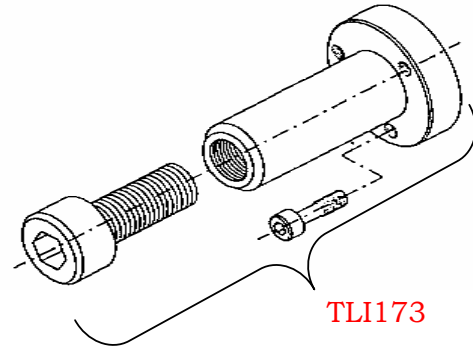
DINKI DI

TL012B

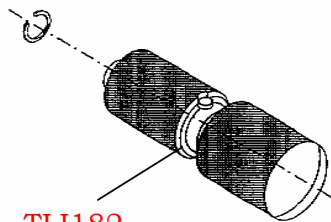
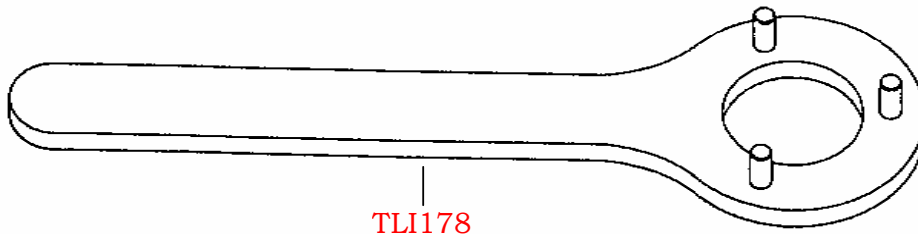
RL LEOPARD ENGINE TOOLS



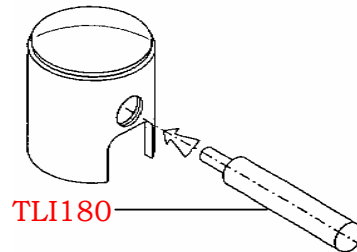
PISTON HOLDING TOOL TO UNDO SPROCKET NUT



PULLER TO REMOVE CLUTCH HUB



PISTON CIRCLIP FITTING TOOL



PISTON PIN REMOVING & REPLACING
TOOL

ENGINE TOOLS



SCREWS INTO THE SPARK PLUG HOLE

ITALSPORT
part number **TL012RIT**



RIGHETI RIDOLFI
part number **TL012R/R**



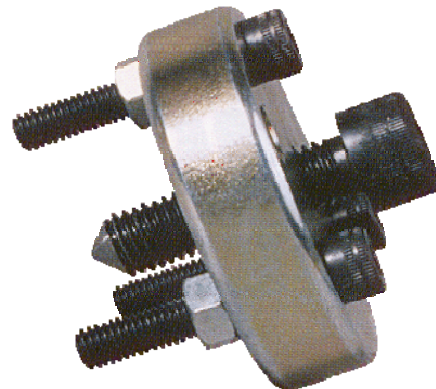
PISTON CLIP FITTING TOOL
part number **TLI182**
TO SUIT 14mm PINS

part number **TLI183**
TO SUIT 15mm PINS
ROTAX 125 MAX

CLUTCH PULLER use Yamaha Ignition Puller
part number **TL028**

Also removes Comer **S&W 80** clutch hubs
[must use 5mm bolts]

Early air cooled reed & rotary engines using PVL Ignitions



STUB AXLE RECLAIMING TOOL



A SIMPLE TOOL USED TO STRAIGHTEN BENT STUB AXLE SHAFTS
IN MOST CASE'S THE BENT STUB AXLE CAN BE RECLAIMED GOOD AS NEW

part number **TLSA001**

TOOLS



KSI DELUXE TEE HANDLES

YELLOW 5mm

TL013

RED COMBINATION

5mm & 8mm ON HANDLE

5mm & 8mm ON HANDLE

6mm ON SHAFT

TL014

BLACK

8mm

TL015



KARTECH 3,4, 5 & 6 TEE HANDLES

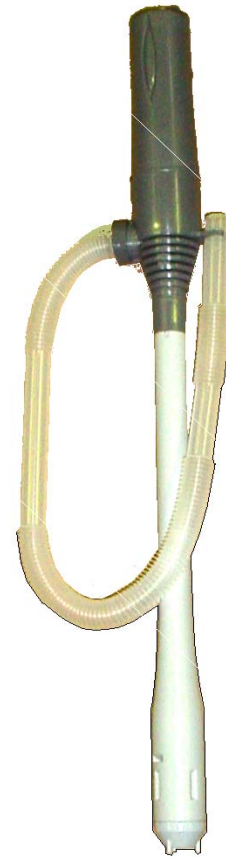
TL018



Part Number

TL016

13mm DEEP WALL



Part Number

TL033

THE ONLY PUMP UP PLASTIC SPRAY CLEANING BOTTLE

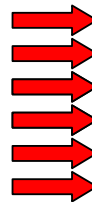
WORTH PURCHASING

BECAUSE IT IS THE ONLY ONE KEEPS ON WORKING

ALL OTHER PLASTIC PRESSURE SPRAY BOTTLES ARE ONLY MADE

FOR WATER BASED LIQUIDS & WILL NOT STAND THE MINERAL BASED

LIQUIDS WE USE TO WASH DOWN OUR KARTS



Battery Powered Liquid Pump

Can Be Used For Many Applications

WORKSHOP

KART/RACING CAR

HOME

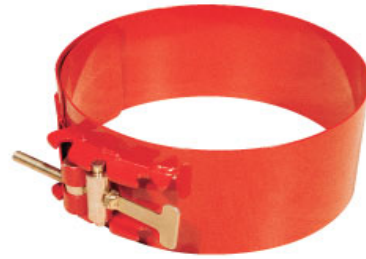
MANY OTHER USES

TAKES [2] D SIZE BATTERIES

Part Number

TL024

TYRE TOOLS



TYRE INFLATION RINGS
TL030B



PRODEZINE

PRODEZINE

TYRE PRESSURE GAUGES

2.5" DIAMETER TL029B

3.5" DIAMETER TL029C

ITALSPORT

2" DIAMETER TL029D

[oil filled]

IKD

4.5" DIAMETER TL029CIKD



ITALSPORT

TYRE BEAD BREAKER

TL030 [kartech] TL029ITAL [Italsport]



Platinum P2 Tyre Gauge

TL0293.25IT

Italsport Tyre Tongs



TL030A1 ITALSPORT
TL030A2 R/R

The new way to remove & replace kart tyres
The ITALSPORT TYRES TONGS

WHEEL ALIGNMENT

SNIPER INFRA RED SYSTEMS

The Next Generation of Laser Alignment Systems
 Made By the original and best,
SNIPER ALIGNMENT SYSTEMS

More Details coming soon.



After designing and manufacturing the original Karting laser alignment systems over 5 years ago, Sniper have now created the ultimate front end system. With new manufacturing processes Sniper have been able to create the **MOST ACCURATE, VERSITILE AND COST EFFECTIVE** way to own any laser alignment system.

The New system is known as the V2, the V standing for variable spindle sizes and the 2 refers to 2 lasers. It is made from a pair of high pressure die cast units chrome plated for superior durability. The units locate onto any spindle size between 16mm - 35mm via a magnetized Vee Block. The Vee block base is considerably wider, than many other clamping systems on other units, to provide **SUPERIOR ACCURACY.**

With this system you may even be able to fit and remove the units without having to remove your front wheels making it by far the quickest and easiest unit on the market to fit and remove. The **INCREASED GRID SIZE** gives you the ability to measure up to 24mm total negative camber.

The simplicity of this unit makes it the **EASIEST** system around to use and even more importantly the **MOST AFFORDABLE FRONT END ALIGNMENT SYSTEM YOU CAN BUY.**

Sniper are not in the business of making claims that they can not back up, all units do exactly what they claim to do. Sniper does not claim to be able to measure **caster** (however you can compare **caster**) with a 2 laser system because it simply impossible to do and anybody telling you they can is

TLSNIPV2



ALIGNMENT PLATES TO SOIT 17MM STUBS

TL025



RIGHETTI RIDOLFI
 LASER ALIGNMENT KIT
 SUITS 17mm & 20mm
 AXLE SHAFTS

TLSNALIGNR/R



CAMBER/CASTER KARTECH SPANER 10mm K/PIN

TLT24A



CAMBER/CASTER KARTECH SPANERS 8mm K/PIN

TLT24

KART TROLLIES KARTECH

GAT300



KARTECH TROLLY KART STAND

GAT401

KART TROLLEYS



3 WHEEL KART TROLLEY [COMPLETE CHROME FINISH
RIGHETTI RIDOLFI BRAND

Three large pneumatic tyres for ease of operation

GAT403/3W/RR

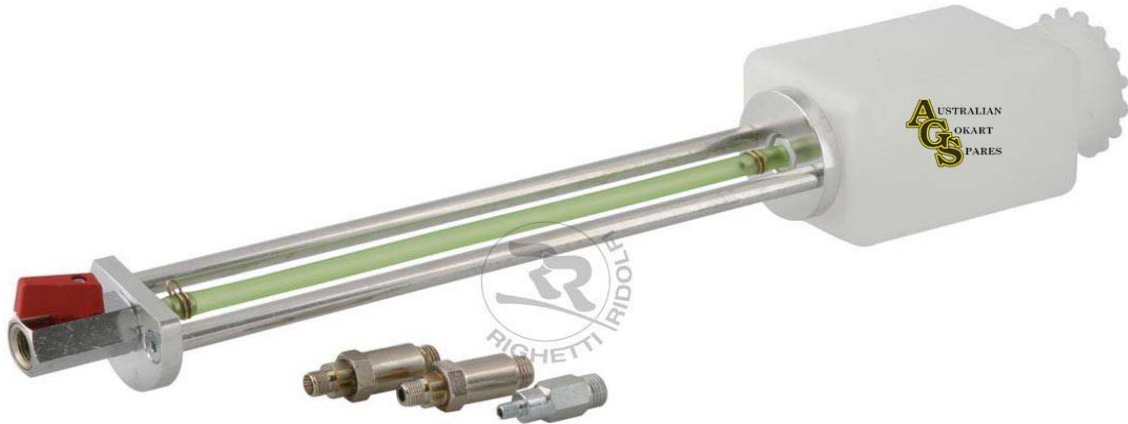


4 WHEEL KART TROLLEY [COMPLETE CHROME FINISH]

ITALSPORT BRAND

GAT403ITAL

HYDRAULIC BRAKE BLEEDER



RIGHETTI RIDOLFI BLEEDER
To suit OTK , R/R , MBA , CRG Karts
6mm , 10mm , 1/8
TLB001



RIGHETTI RIDOLFI BLEEDER
To suit R/R Transparent reservoir

TLB002