

PRD--ENGINE PARTS

PRD

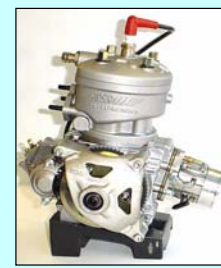
ENGINE
SECTION

AA

BRAND
OR
DESCRIPTION

000

PART
NUMBER



Cylinder Head & Parts 80cc
Cylinder Head & Parts 100cc
Cylinder Head & Parts 125cc
Cylinder & Parts 80cc
Cylinder & Parts 100cc
Cylinder & Parts 125cc
Crankshaft & Parts 80cc
Crankshaft & Parts 100cc
Crankshaft & Parts 125cc
Clutch & Parts ALL ENGINES
Carburetor & Parts
Ignition Parts
Starter System
Schematics Crankcase , Clutch , Ignition & Starter
Schematics 100cc & 125cc Crankshaft & Cylinder
Schematics 125 FIREBALL Crankshaft & Cylinder

Page PRD-6
Page PRD-6
Page PRD-6
Page PRD-6
Page PRD-6
Page PRD-6
Page PRD-6
Page PRD-7-10
Page PRD-7-8-10
Page PRD-8-10
Page PRD-12-13
Page PRD-13
Page PRD-11-12
Page PRD-12
Page PRD-3
Page PRD-4
Page PRD-5

TOUCH AND GO (T.A.G) ENGINES, ELECTRIC START / CLUTCH, BY PRD



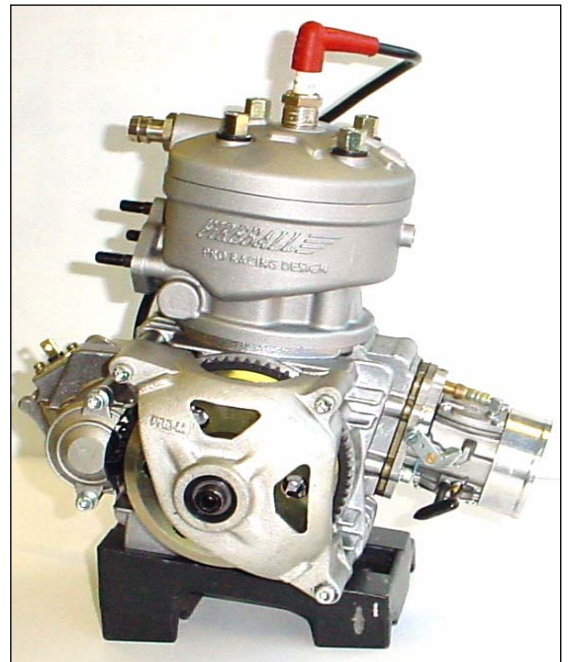
PRD 80CC TAG



PRD 100CC DIRECT DRIVE

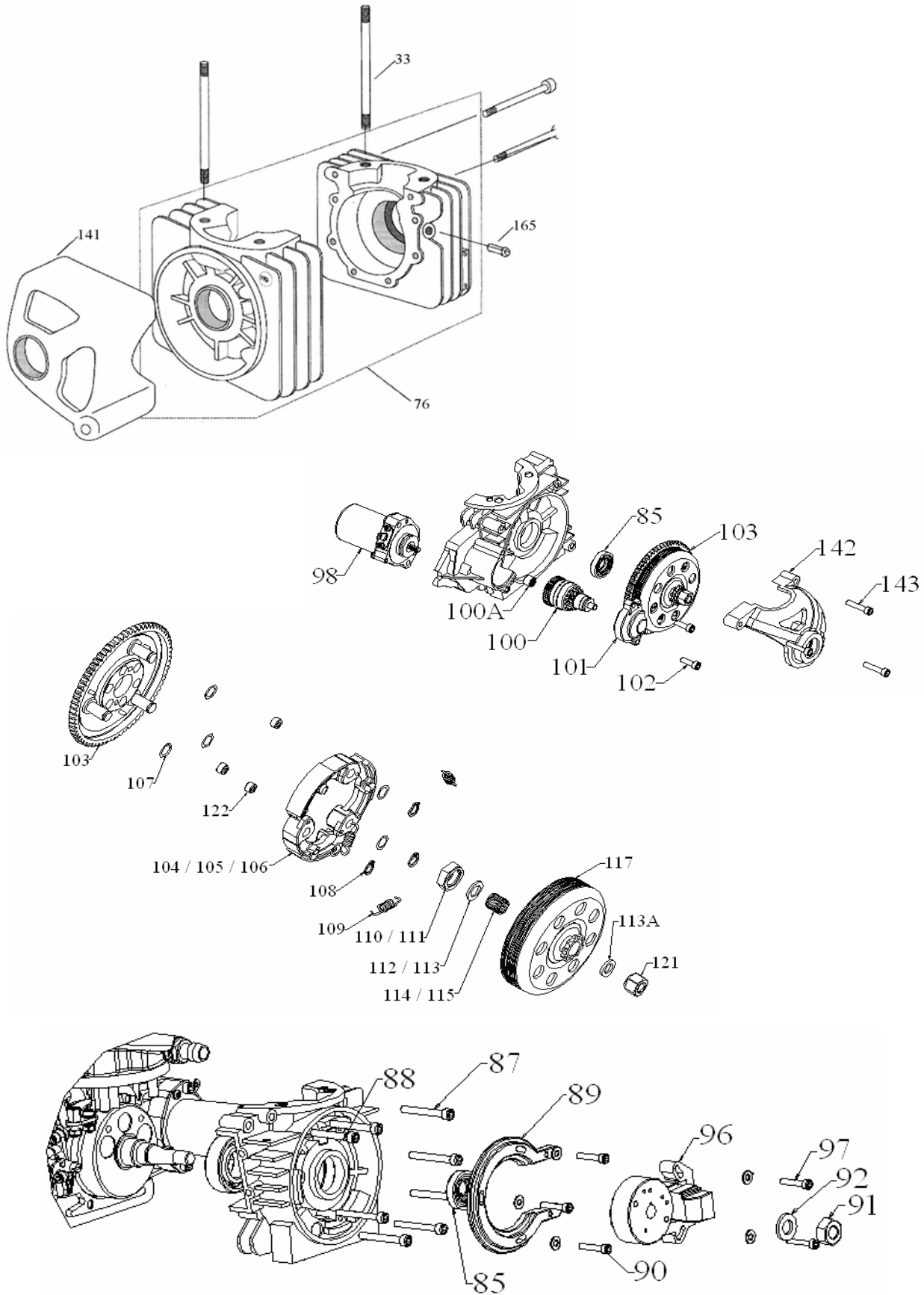


PRD 100CC & 125CC TAG

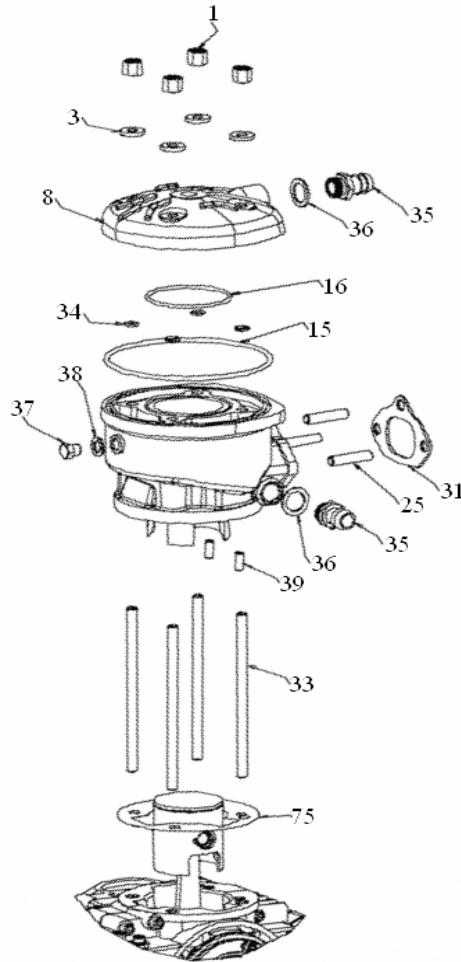


FIREBALL 125CC WATER COOLED
REED VALVE TAG

PRD ENGINE COMMON PARTS

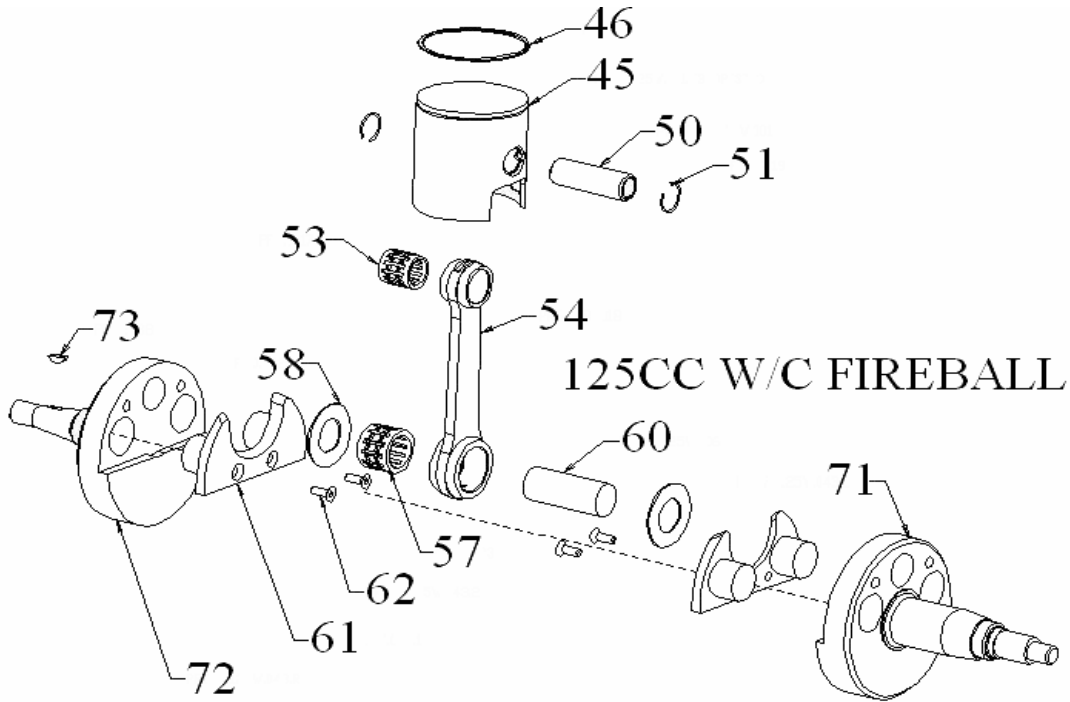


125 FIREBALL WATER COOLED



ENGINE PARTS GENERAL	F I G	PRD FIREBALL AGS part number	PRD FIREBALL Genuine part number
CYLINDER PARTS			
NUT CYLINDER HEAD 8mm	1	EPGNH322	PRD0001
WASHER CYLINDER HEAD 19 X 3 X 8.2	3	EPGHW001	PRD0003
CYLINDER HEAD	8	EPPRCH0007	PRD0007
O RING HEAD OUTER	15	EPPRCH0011	
O RING HEAD INNER	16	EPPRCH0012	
STUD EXHAUST	25	EPPRCH0017	PRD0017
GASKET EXHAUST	31	EPG038PRD	PRD0021
STUD CYLINDER 142mm X 8mm	33	EPGSC142X8	PRD0023
O RING STUD	34	EPPRCH0013	
FITTING WATER	35	EPPRCH0025	PRD0025
WASHER COPPER FITTING	36	EPPRCH0026	PRD0026
PLUG TEMPERATURE GAUGE	37	EPPRCH0027	PRD0027
WASHER COPPER TEMP. GAUGE	38	EPPRCH0028	PRD0028
LOCTATING DOWL	39	EPPRCH0029	PRD0029
GASKET CYL BASE .004"/.01MM	75	EPPRCH057.1	
GASKET CYL BASE .009/.22MM	75	EPPRCH057.22	
GASKET CYL BASE .016/.4MM	75	EPPRCH057.4	
GASKET CYL BASE .020/.5MM	75	EPPRCH057.5	
CYLINDER COMPLETE		EPPRCH0016A	PRD0016A
O RING KIT		EPPRCH0013/O/KIT	
Note			Note

PRD 125 FIREBALL CRANKSHAFT



ENGINE PARTS GENERAL	FIG	PRD FIREBALL AGS part number	PRD FIREBALL Genuine part number
CYLINDER PARTS			
PISTON 53.80mm BARE	45	EPPR0036D1	PRD0036D1
PISTON 53.85mm BARE	45	EPPR0036E1	PRD0036E1
PISTON 53.90mm BARE	45	EPPR0036F1	PRD0036F1
PISTON 53.95mm BARE	45	EPPR0036G1	PRD0036G1
PISTON 54.00mm BARE	45	EPPR0036H1	PRD0036H1
PISTON 54.05mm BARE	45	EPPR0036I1	PRD0036I1
PISTON 54.10mm BARE	45	EPPR0036J1	PRD0036J1
PISTON 54.15mm BARE	45	EPPR0036K1	PRD0036K1
PISTON 54.20mm BARE	45	EPPR0036L1	PRD0036L1
PISTON 54.25mm BARE	45	EPPR0036M1	PRD0036M1
PISTON RING 53.80mm	46	EPPR0037D1	PRD0037D1
PISTON RING 53.85mm	46	EPPR0037E1	PRD0037E1
PISTON RING 53.90mm	46	EPPR0037F1	PRD0037F1
PISTON RING 53.95mm	46	EPPR0037G1	PRD0037G1
PISTON RING 54.00mm	46	EPPR0037H1	PRD0037H1
PISTON RING 54.05mm	46	EPPR0037I1	PRD0037I1
PISTON RING 54.10mm	46	EPPR0037J1	PRD0037J1
PISTON RING 54.15mm	46	EPPR0037K1	PRD0037K1
PISTON RING 54.20mm	46	EPPR0037L1	PRD0037L1
PISTON RING 54.25mm	46	EPPR0037M1	PRD0037M1
PISTON PIN	50	EPGLP002	PRD0041
CLIP PISTON	51	EPPRCS0042	PRD0042
BEARING LITTLE END	53	EPGLE060AGS	
CONROD BARE	54	EPGCR002100PRD	PRD0047M
BEARING BIG END	57	EPGBE354AGS	
THRUST WASHER	58	EPGBS002	
PIN BIG END	60	EPGBEP353B	PRD0050A
BALANCE WEIGHT CRANKSHAFT	61	EPPRCS0051	PRD0051
BOLT BALANCE WEIGHT	62		
CRANKSHAFT HALF DRIVE SIDE	71	EPPRCS0054A	PRD0054A
CRANKSHAFT HALF IGNITION SIDE	72	EPPRCS0054B	PRD0054B
KEY IGNITION SIDE	73	EPPRCS0054CD	PRD0054CD

PRD EASY START IGNITION SYSTEM



EPPRIS9034
2014 on FITS ALL



EPPRIS9034MOD



EPPRIS9034SP
EARLY SWITCH PANEL
[USE'S IGN. SWITCH W/LIGHT]



EPRIS9077/S/2

2014 on LATE STARTER [intergrated relay]



EPPRIS9034SP/2
2014 on SWITCH PANEL
[USE'S IGN. SWITCH W/FUSE]



EPPRIS9077/S [pre 2014]



EPPRIS9034SIGN
EARLY IGN. SWITCH



EPRIS265590A
2014 on [ROTAX TYPE]



EPPR9034S/ST
STARTER SWITCH



EPPRIS9034/LOOM
EPPRIS9034/LOOMA [with intergrated relay]



EPPR9034ST/EYE



GAC008/PRD



EPGC073



EPGC073RR [R/R BRAND]



EPGC045/PRD
COIL MOUNT INSULATOR [USE'S 2]

Part No.	Description	Ref	PRDRK80C	PRDRK80E	PRDRK100	PRDRK100	PRDRK100	PRDRK125	PRDRK125	PRDRK125
----------	-------------	-----	----------	----------	----------	----------	----------	----------	----------	----------

ENGINE PARTS - PRD CONTINUED

PRD0052	CRANK NYLON WEIGHT SCREW	62								X
PRD0053	CRANKSHAFT ASSEMBLY 80CC	63	X	X						
PRD0053A	IGNITION CRANK HALF 80CC	64	X	X						
PRD0053B	CLUTCH SIDE CRANK HALF 80CC	65	X	X						
PRD0053C	CRANKSHAFT ASSY DIRECT 100CC & 125CC A/C	66			X	X	X	X	X	
PRD0053CC	CRANKSHAFT ASSY CLUTCH 100CC & 125CC A/C	66A			X	X	X	X	X	
PRD0053D	IGNITION CRANK HALF 100CC AND 125CC A/C	67			X	X	X			
PRD0053E	DIRECT DRIVE CRANK HALF 100CC & 125CC A/C	68			X	X	X	X	X	
PRD0053F	CLUTCH SIDE CRANK HALF 100CC AND 125CC A/C	69				X	X		X	
PRD0054	CRANKSHAFT ASSEMBLY 125CC W	70								X
PRD0054A	CLUTCH SIDE CRANK HALF 125W	71								X
PRD0054B	IGNITION SIDE CRANK HALF 125W	72								X
PRD0055	CRANKSHAFT KEY (ALL ENGINES)	73	X	X	X	X	X	X	X	X
PRD0056	CYLINDER BASE GASKET 0.1 AND 0.2MM	74	X	X	X	X	X	X	X	
PRD0057	CYLINDER BASE GASKET 0.1 AND 0.2MM	75								X
PRD0058	CRANKCASE ASSEMBLY - DIRECT DRIVE	76	X		X	X		X		
PRD0058A	CRANKCASE ASSEMBLY - ELECTRIC START	77		X			X		X	
PRD0059	CRANKCASE ASSEMBLY 125W	78								X
PRD0060	MAIN BEARING 6205 EPG072	79	X	X	X	X	X	X	X	
PRD0060A	SHIM CRANKCASE TO SUIT 6205 BEARING	80	X	X	X	X	X	X	X	
PRD0061	MAIN BEARING 6305	81								X
PRD0062	OIL SEAL 80, 100, 125A, DRIVE SIDE 18 - 32 - 8	82	X		X			X		
PRD0063	OIL SEAL 80, 100, 125A,IGNITION SIDE 18 - 32 - 8	83	X	X	X			X		
PRD0064	OIL SEAL - DRIVE SIDE CLUTCH / 20 - 32 - 8	84		X		X	X		X	
PRD0064A	OIL SEAL - 125 W DRIVE SIDE 2005 25 - 38 - 7	85								X
PRD0065	OIL SEAL - 125 W IGNITION SIDE 20 - 35 - 7	86								X
PRD0065A	CRANKCASE BOLT UPPER 60 x 60	87	X	X	X	X	X	X	X	X
PRD0065B	CRANKCASE BOLT LOWER 60 x 40	88	X	X	X	X	X	X	X	X
PRD0066	IGNITION COIL BRACKET 125W	89								X



SEAL [PRD00065] or TEFLON [EPG069]

PRD CLUTCH & PARTS



EPPRIS0077
COVER
EPPRIS0078



EPPR0080 to 2003
EPPR0080A 2005 on



EPPRCL0098



EPPRCL0080FD

LINING CLUTCH HUB



EPPRCL0094C



EPPRCL0098C



EPPRCL0080FC



EPPRCL0094CA



EPPRCL0090AC
to suit 10T
[with clip]
EPPRCL0090AD
to suit 12T-16T
[with clip]

EPPRCL0090A
[pre 2008 no clip]



EPPRCL0088 [16 X 1.5mm]

EPPRCL0088C [20 X 1.5mm]



GAC008/PRD



STARTER MOTOR [ALL]

EPPRIS0076

14mm SHAFT
to 2008



EPPRCL0090



EPPRCL0094A
TO SUIT 10T

12mm SHAFT
2008 on



EPPRCL0089



EPPRCL0091A
REQUIRES [2]

Part No.	Description	Ref	PRDRK80C	PRDRK80E	PRDRK100	PRDRK100	PRDRK100	PRDRK125	PRDRK125	PRDRK125
ENGINE PARTS - PRD CONTINUED										
PRD0092	CLUTCH BEARING 2005	115					X		X	X
PRD0093	CLUTCH DRUM AND WELDED SPROCKET 9T	116		X		X			X	
PRD0093A	CLUTCH DRUM AND WELDED SPROCKET 10T			X		X			X	
PRD0093B	CLUTCH DRUM AND WELDED SPROCKET 11T			X		X			X	
PRD0094	CLUTCH DRUM 2005	117					X			X
PRD0095	SPROCKET TO SUIT CLUTCH DRUM 2005	118					X		X	X
PRD0096	SPROCKET NUT TO SUIT CLUTCH DRUM 2005	119					X		X	X
PRD0097	SPROCKET PIN TO SUIT CLUTCH DRUM 2005	120					X		X	X
PRD0098	SPROCKET NUT	121	X	X	X	X	X	X	X	X
PRD0099	CLUTCH SHOE RETAINER RUBBER	122		X		X	X		X	X
PRD0100	REED MANIFOLD GASKET	123								X
PRD0101	REED BLOCK GASKET	124								X
PRD0102	STUD REED BLOCK TO CRANKCASE	125								X
PRD0103	REED BLOCK ASSEMBLY	126								X
PRD0104	REED MANIFOLD TO SUIT WALBRO CARB 30MM	127								X
PRD0105	REED MANIFOLD TO SUIT TILLO CARB HL360	128								X
PRD0105A	CARB SPACER BLOCK - PLASTIC	129	X	X	X	X	X	X	X	
PRD0105B	CARB SPACER BLOCK - GASKET	130	X	X	X	X	X	X	X	
PRD0106	CARB GASKET TO SUIT WALBRO CARB 30MM	131								X
PRD0107	CARB GASKET TO SUIT TILLO CARB HL360	132								X
PRD0107A	AIR BOX ADAPTOR TO SUIT WALBRO CARB 25MM	133	X	X	X	X	X			
PRD0108	AIR BOX ADAPTOR TO SUIT WALBRO CARB 30MM	134						X	X	X
PRD0109	AIR BOX ADAPTER TO SUIT TILLO CARB HL360	135	X	X	X	X	X	X	X	
PRD0110	AIR BOX TO CARB BOLT (ALL A/C MODELS)	136	X	X	X	X	X	X	X	
PRD0111	CARBY 25MM WALBRO	137	X		X					
PRD0112	CARBY 25MM WALBRO WITH CHOKE	138		X		X	X			
PRD0113	CARBY 30MM WALBRO	139							X	X

Part No.	Description	Ref	PRDRK80C	PRDRK80EC	PRDRK100	PRDRK100C	PRDRK100EC	PRDRK125	PRDRK125EC	PRDRK125W

ENGINE PARTS - PRD CONTINUED

PRD0114	CARBY 25MM TILLOTSEN	140							X	X
PRD0115	CLUTCH COVER TO SUIT DIRECT DRIVE ENGINE	141	X		X			X		
PRD0116	CLUTCH COVER TO SUIT ELECTRIC START ENGINES	142		X		X	X		X	X
PRD0117	CLUTCH COVER BOLT TO SUIT ALL ENGINES	143	X	X	X	X	X	X	X	X
PRD0118	CARBY THROTTLE BRACKET WALBRO AND RETAINER	144								X
PRD0119	CARBY THROTTLE BRACKET TILLOTSEN	145								X
PRD0120	EXHAUST PIPE 2000 (STRAIGHT PIPE)	146	X	X	X	X	X	X	X	X
PRD0121	EXHAUST PIPE 2004 (BUBBLE PIPE)	147						X	X	X
PRD0122	EXHAUST PIPE END CAP	148	X	X	X	X	X	X	X	X
PRD0122A	EXHAUST FLEX TUBE	149	X	X	X	X	X	X	X	X
PRD0123	WIRE HARNESS	150		X			X		X	X
PRD0124	WIRE HARNESS	151								X
PRD0125	BATTERY	152		X			X		X	X
PRD0126	SWITCH BRACKET	153		X			X		X	X
PRD0127	STARTER BUTTON SWITCH	154		X			X		X	X
PRD0128	ON-OFF SWITCH	155		X			X		X	X
PRD0129	AIR BOX 100CC	156	X	X	X	X	X			
PRD0130	AIR BOX 125CC	157						X	X	X
PRD0131	AIR BOX CLIP	158	X	X	X	X	X	X	X	X
PRD0132	AIR BOX RUBBER	159	X	X	X	X	X	X	X	X
PRD0133	AIR BOX TUBE (ALL AIR COOLED)	160	X	X	X	X	X	X	X	
PRD0134	AIR BOX TUBE 125W	161								X
PRD0135	SPROCKET 10T (ALL DIRECT DRIVE MODELS)	162	X		X			X		
PRD0136	SPARK PLUG CAP - RESISTER	163	X	X	X	X	X	X	X	X
PRD0137	BATTERY TIE DOWN	164	X	X	X	X	X	X	X	X
PRD0138	BRASS FITTING PULSE LINE	165	X	X	X	X	X	X	X	
PRD0139	PULSE LINE	166	X	X	X	X	X	X	X	
PRD0140	PULSE LINE CLIP	167	X	X	X	X	X	X	X	
PRD0141	CLUTCH NUT	168	X	X		X	X		X	X

