

TR-TRANSMISSION

TR

**TRANSMISSION
SECTION**

AA

**BRAND
OR
DESCRIPTION**

000

**PART
NUMBER**

Axles

Axles Bearing Flanges

Axle Comparison

Axle Keys

Page TR-5-6

Page TR-2-3

Page TR-10-11

Front & Rear Bearings

Grub Screws

Sprockets Front & Rear

Sprocket Carrier DPE

Sprocket Carrier EDWARDS

Sprocket Carrier RIGHETI RIDOLFI

Sprocket Carrier ITALSPORT

Page TR-12

Page TR-12

Page TR-9

Page TR-7

Page TR-7

Page TR-8

Page TR-7

REAR AXLE COMPARISON

SKM AXLE RANGE

TYPE	DESCRIPTION	Kg RATING
A	SOFT	40 Kg
B	MEDIUM	55Kg
C	HARD	75 Kg

PRO AXLE RANGE

TYPE	DESCRIPTION	Kg RATING
ORANGE	SUPER SOFT	30-35 Kg
RED	SOFT	35-40 Kg
BROWN	MEDIUM SOFT	40-45 Kg
GREEN	MEDIUM	48-55 Kg
YELLOW	MEDIUM HARD	58-65 Kg
WHITE	HARD	65-70 Kg
BLUE	SUPER HARD	85-90 Kg

CRG AXLE RANGE

SUPPLIER CRG	SUPPLIER CRG	SUPPLIER ITAL-HARD	SAME AS DPE	HARDNESS
K		N99		235-250
M		H99		195-210
MB				180
MZ2			AH99	180-190
MT	MZ	M99		160-175
ZT	ZZ		AS99	150-160
MET30				130-140
AZ3	MAT25	S99		115-125
AZ4				110-115
AZ5				105-110



The new Italsport B4 axle range has been released to replace the now AKA banned 2mm 30mm axles, these axles are regulation 3mm thick axle & has the same characteristics as thin 2mm thin wall's.

Check Page TR-5 AXLE SPEC SHEET



D.30mm / 40mm Axles

Type	Size	Model	HARDNESS		Code
			SOFT ←	→ HARD	
U	30x5	FIK	██████████		0054.B0FIKU
N	30x5	FIK	██████████		0054.B0FIKN
H	30x5	FIK	██████████		0054.B0FIKH
N	40x1000	DD	██████████		0054.D0100N
P	40x1000	DD	██████████		0054.D0100P
N	40x1060	DD	██████████		0054.D0106N
P	40x1060	DD	██████████		0054.D0106P

Model DD : direct drive kart

Model FIK : cadet kart (homologated axle FIK)



D.50mm Axles

Type	Size	Model	HARDNESS		Code
			SOFT ←	→ HARD	
E	50x1030	KF/STD	██████████		0054.G0E
U	50x1030	KF/STD	██████████		0054.G0U
Q	50x1030	KF/STD	██████████		0054.G0Q
N	50x1000	KF/STD	██████████		0054.G0N100
N	50x1030	KF/STD	██████████		0054.G0N
H	50x1030	KF/STD	██████████		0054.G0H
HH	50x1030	KF/STD	██████████		0054.G0HH
U	50x1030	GB	██████████		0054.H0U
Q	50x1030	GB	██████████		0054.H0Q
N	50x1030	GB	██████████		0054.H0N
H	50x1030	GB	██████████		0054.H0H
HH	50x1030	GB	██████████		0054.H0HH

Model KF/STD : KF/Standard chassis 100cc/ TaG - Model GB : gear box kart

KART PARTS		F I G	25mm	30mm	35mm	40mm	50mm	Notes
TRANSMISSION			DIA	DIA	DIA	DIA	DIA	
AXLES								
6mm KEY SOLID	140		TR001					
6mm KEY x 3.3mm ROOKIE 1000mm	140			TR002D				
6mm KEY x 3.8mm ROOKIE 1000mm B4	140			TR002D3				
	140							
8mm KEY x 3.8mm ROOKIE 1000mm PEG B4	140			TR002D2				PEG KEY TR022CO
8mm KEY x 3.6mm ROOKIE 1000mm PEG A35	140			TR002D7				PEG KEY TR022CO
6mm KEY x 3.8mm HOLLOW 1050mm B4	140			TR002D4				
	140							
8mm KEY x 3.8mm HOLLOW 1050mm PEG B4	140			TR002D5				PEG KEY TR022CO
8mm KEY x 3.6mm HOLLOW 1040mm PEG A35	140			TR002D9				PEG KEY TR022CO
6mm KEY x 3.3mm HOLLOW	140			TR002C				
6mm KEY x 4mm HOLLOW	140			TR001A				
6mm KEY x 5mm HOLLOW	140			[3] TR002				
8mm KEY x 3mm DPE ULTRA SOFT	140					TR003E2A	TR003UDPEXXS	XXXSOFT YELLOW
8mm KEY x 2mm DPE SUPER SOFT	140					[8] TR00E3		AX8 CLUB LIGHT
8mm KEY x 3mm DPE SOFT	140					TR003F		BLUE
8mm KEY x 3mm DPE MED/SOFT	140						TR003UDPEMS	PURPLE
8mm KEY x 3mm DPE MED 1	140					[1] TR003G	TR003UDPEM	AX8 STD GREEN
8mm KEY x 3mm DPE HARD	140					TR003H	TR003UDPEH	
8mm KEY x 3mm PRODIZNE S/SOFT	140	ORANGE				TR003DO	TR003UPRORO	
8mm KEY x 3mm PRODIZNE SOFT	140	RED				TR003DR	TR003UPROR	
8mm KEY x 3mm PRODIZNE MED/SOFT	140	BROWN				TR003DB	TR003UPROB	
8mm KEY x 3mm PRODIZNE MED	140	GREEN				TR003DG	TR003UPROG	
8mm KEY x 3mm PRODIZNE HARD	140	WHITE				TR003DW	TR003UPROWH	
8mm KEY x 3mm PRODIZNE SUPER/HARD	140	BLUE				TR003DBL	TR003UPROBL	
AXLE KEYS			6mm	8mm		Peg Key		
4.2mm THICK x 55mm	148		TR023					DPE Thin Wall
5mm THICK x 50mm	148			TR0223				CRG/PRD
5mm THICK x 60mm				TR0225				DPE Thin Wall
5mm THICK x 80mm	148			TR022BB				
5mm THICK x 100mm	148			TR022BC				CRG/PRD
6mm THICK x 55mm	148	TR021B						
6mm THICK x 60mm	148			TR022A				DPE Thick Wall
6mm THICK x 100mm	148			TR022BC1				
6mm THICK x 130mm	148	TR021C						
6mm THICK x 165mm	148	TR022						
7mm THICK x 50mm	148			TR0224				
PEG KEYS								
6mm THICK x 60mm						TR022BD1		
7.5 THICK X 60mm 34mm C/C						TR022CO		
	148							
SMALL PEG 30mm R/R	148			TR022C			TR022C	
BEARINGS [REAR]			25mm	30mm	35mm	40mm	50mm	
STD [SEALED]	141	TR004	TR005					
FREE RUNING [SHIELDED]	141		TR005A	TR006		TR006A		TR006D
GRUB SCREWS			25mm	30mm	35mm	40mm	50mm	
FINE THREAD 6mm		TR020	TR020	TR020				
FINE THREAD 8mm				TR020A		TR020A		TR020A
Notes [1]			Note [2]			Note [7] SWISS HULESS MAXIMO		
TR003G Same As TONY KART Standard			Use TR002C Peg Key Only On Wheel Hubs			AXLE [BLUE] 1040mm LENGTH SKM		
Note [3]			Note [4] With Indicator Lines			Note [8] Use Peg		
TR002A Same As TR002 With Ind. Lines			Note [5] Use Only TR022C1 Keys					
			Note [6] AZZURRO Z3					

REAR BEARING DPE BILLET CARRIERS



AX9 40mm & 50mm REAR AXLE BEARING CARRIERS

R/R 40/50 REAR AXLE BEARING CARRIERS



[Mount Holes 80mm Centre to Centre]
part number **TR017A3**

LARGE Bearing Carrier

- 30mm Purple **TR017A0**
- 30mm Gold **TR017A**
- 40mm Purple **TR017A3**
- 40mm Gold **TR017A2**
- 40mm Gunmetal **TR017A4** AX9 BRAKE SIDE
- 40mm Gunmetal **TR017A5** AX9 DRIVE & CENTRE
- 40mm Gold **TR017A6** AX9 BRAKE SIDE
- 40mm Gold **TR017A7** AX9 DRIVE & CENTRE

- [Mount Holes 64mm Centre to Centre]
- GUNMETAL GREY **TR016A1**
- GOLD **TR016A**
- Part Number

DPE billet rear bearing carrier bolts into the smaller bracket holes , spacing same as the 25mm pressed steel bearing flanges.

ONE PIECE CONSTRUCTION MADE FROM HIGH QUALITY BILLET ALLOY



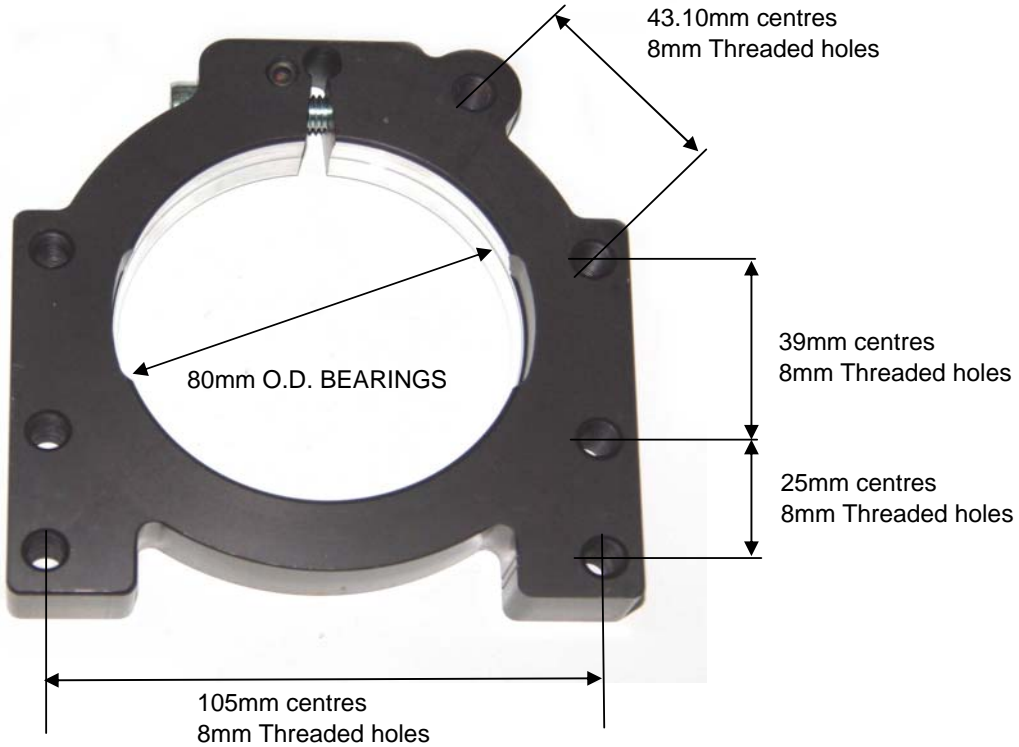
STEEL FLANGES SUPPLIED IN PAIRS
25mm TR015

[Mount Holes 64mm Centre to Centre]

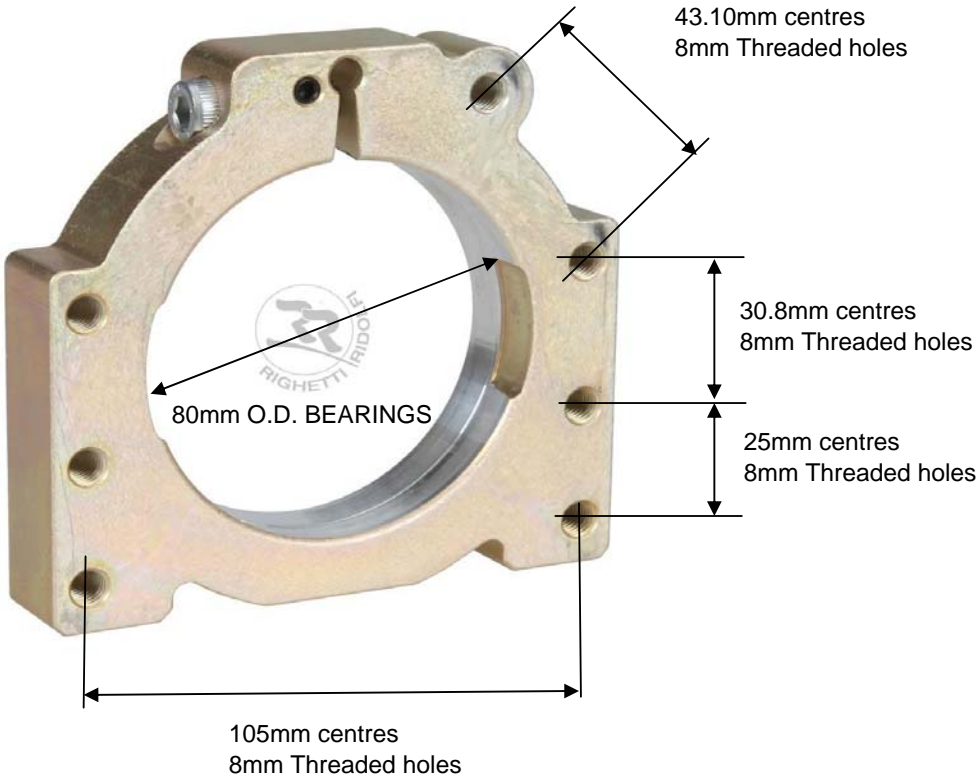


25mm TR015 [2 PIECES]
[Mount Holes 64mm Centre to Centre]
30mm TR016
[Mount Holes 79mm Centre to Centre]

R/R REAR AXLE BEARING HOUSING



STANDARD ALLOY BEARING CARRIER 80mm OD 40/50 BEARINGS



ALLOY CARRIER suits some OTK KARTS
MAGNESIUM COLOUR

ALLOY BEARING CARRIER 80mm OD 40/50 BEARINGS

SPROCKET CARRIER



ITALSPORT CARRIERS

30mm SPROCKET GOLD	TR011B	6mm & 8mm
30mm SPROCKET BLACK	TR013B1	6mm & 8mm
40mm SPROCKET GOLD	TR013A1	8mm KEY
40mm SPROCKET BLACK	TR013A2	8mm KEY
50mm SPROCKET GOLD	TR013E	8mm KEY
50mm SPROCKET BLACK	TR013E1	8mm KEY



ARROW/KARTECH CARRIERS



SPHS01

TR0111	[30mm GREY XI]
TR013ADPE40X1	[40mm GREY XI]
TR013EDPE50X1	[50mm GREY XI]

[ARROW SPROCKET HUBS are BLACK]

ALLOY BILLIT SPROCKET CARRIER

8mm AXLE KEY WAYS

116mm SPIGOT MAINLY USED FOR DRIVE SPOCKETS

CAN BE ALSO USED ON SOME BRAKE DISCS WITH 116mm SPIGOTS

EDWARDS CAST ALLOY CARRIERS



25mm	TR010	[6mm Key]
30mm	TR011	[6mm Key]
30mm	TR011A	[8mm Key]
35mm	TR012	[6mm Key]
35mm	TR012A	[8mm Key]
40mm	TR013	[8mm Key]



50mm	TR013EDD50MM	[8mm Key]
------	--------------	-----------

R/R SPROCKET CARRIER



RIGHTETI RIDOLFI CARRIERS

30mm SPROCKET GOLD	TR011B/STAR	8mm KEY
30mm SPROCKET BLACK	TR013B1/STAR	8mm KEY

40mm SPROCKET GOLD	TR013B/STAR	8mm KEY
40mm SPROCKET BLACK	TR013BB/STAR	8mm KEY

50mm SPROCKET GOLD	TR013R/R50GSTAR	8mm KEY
50mm SPROCKET BLACK	TR013R/R50BSTAR	8mm KEY



30mm SPROCKET GOLD	TR011RR/30	6mm & 8mm
30mm SPROCKET BLACK	TR011RR/30B	6mm & 8mm



40mm SPROCKET GOLD	TR013B	8mm KEY
40mm SPROCKET BLACK	TR013BR/RB	8mm KEY



50mm SPROCKET GOLD	TR013ER/R50G	8mm KEY
50mm SPROCKET BLACK	TR013ER/R50B	8mm KEY

ENGINE DRIVE SPROCKETS

LEOPARD 125

10T SPROCKET		TR041LEP10A
11T SPROCKET		TR041LEP11A



DINKI DI

ROTAX 125 MAX

10T SPROCKET	DINKI DI	EPRCL236217A2		
11T SPROCKET	DINKI DI	EPRCL236217A	KARTECH	EPRCL236217A1
12T SPROCKET	DINKI DI	EPRCL236215	KARTECH	EPRCL2362151
13T SPROCKET	DINKI DI	EPRCL236216	KARTECH	EPRCL2362161
14T SPROCKET	DINKI DI	EPRCL236216A	KARTECH	EPRCL236216A1
15T SPROCKET	DINKI DI	EPRCL236216B	KARTECH	EPRCL236216B1
16T SPROCKET	DINKI DI	EPRCL236216C	KARTECH	EPRCL236216C1



DINKI DI



KARTECH ECONO

YAMAHA KT100SEC [electric start]

10T SPROCKET	GENUINE	EPY924
9T SPROCKET	NON GENUINE	TR040A1
10T SPROCKET	NON GENUINE	TR040A
11T SPROCKET	NON GENUINE	TR040A2



YAMAHA NON GENUINE



YAMAHA GENUINE

YAMAHA KT100J & KT100S [long shaft]

9T SPROCKET	DINKI DI	TR024
10T SPROCKET	DINKI DI	TR025
11T SPROCKET	DINKI DI	TR026
12T SPROCKET	DINKI DI	TR027
13T SPROCKET	DINKI DI	TR028
14T SPROCKET	DINKI DI	TR029



LONG SHAFT [ground bore]

10T SPROCKET	DINKI DI	TR025A
11T SPROCKET	DINKI DI	TR026A
12T SPROCKET	DINKI DI	TR027A
13T SPROCKET	DINKI DI	TR028A
14T SPROCKET	DINKI DI	TR029A



LONG SHAFT INBOARD [ground bore]

YAMAHA KT100S SHORT SHAFT, ARC & EUROPEAN ENGINES

9T SPROCKET	DINKI DI	TR030A
10T SPROCKET	DINKI DI	TR031A
11T SPROCKET	DINKI DI	TR032A
12T SPROCKET	DINKI DI	TR039A
13T SPROCKET	DINKI DI	TR039B
14T SPROCKET	DINKI DI	TR040



SHORT SHAFT [ground bore]

AXLE & KEYS

AXLES

30mm AXLES

6mm X 6mm X 55mm KEY TR021B



6mm X 55mm KEY

[3 PEG KARTECK Special]



[30mm ARROW AXLES]

8mm X 5mm X 60mm KEY TR0225



OTK 30mm AXLES

OTK AXLES
[960mm]

TR002OTK3H
TR002OTK3N
TR002OTK3U

40mm AXLES

8mm X 5mm X 60mm KEY TR0225

8mm X 6mm X 60mm KEY TR022A



ARROW 40mm AXLES
[KEY WAY AXLES]
R/R CIK 40mm AXLE
[R/R INSIDE KEYS]



8mm X 30c/c X 60mm KEY

3 PEG 6mm Dia **3.5mm** HIGH

[KARTECK KEY]



ARROW 40mm AXLES
[PEGED KEY AXLES]
TR022BD1

RIGHETI RIDOLFI
[1040mm]

TR003HRR40S
TR003HRR40M
TR003HRR40H

8mm X 30c/c X 60mm KEY

2 PEG 6mm Dia **3.5mm** HIGH



R/R CIK 40mm AXLE
OUTSIDE KEYS
TR022BD1 [K485B]

TR022BD1 [K485B]

50mm AXLES

8mm X 34c/c X 60mm KEY TR022CO1RR

3 PEG 7.5mm Dia. **3.5** High [K959C]

[PRODEZIN & ARROW]
50MM



[WHEN USING]

8mm X 34c/c X 60mm KEY TR022CO

2 PEG 7.5mm Dia. / **3.0** High [KCR01F]

[R/R 50mm WHEEL HUB]
OTK AXLES

RIGHETI RIDOLFI
[1040mm]

TR003URRA50
TR003URRAA50
TR003URRAB50
TR003URB50
TR003URRBB50
TR003URRC50
TR003URRCC50

8mm X 30c/c X 60mm KEY

3 PEG 7.5mm Dia **4.0mm** High

TR022C8/60/7.5A [K959]

[R/R 50mm AXLES]



8mm X 30c/c X 60mm KEY

3 PEG 7.5mm Dia. **3.5** HIGH

TR022CRR8/60/7.5 [K959B]

[R/R 50mm AXLES]



8mm X 30c/c X 60mm KEY

2 PEG 6mm Dia / **3.5** High

TR022BD1 [K485B]

AXLE KEYS

6mm Keys



6mm X 6mm X 55mm KEY

TR021B

[30mm ARROW AXLES]



[30mm ARROW AXLES]

8mm Keys



8mm X 5mm X 60mm KEY

TR0225

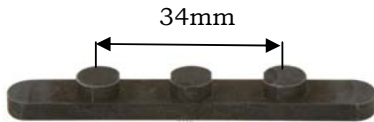
[R/R 50mm SPROCKET &
BRAKE HUBS]

8mm X 6mm X 60mm KEY

TR022A

[OTK 30mm AXLES]

8mm Key 34mm Centres



8mm X 34c/c X 60mm KEY
[3 PEG 7.5mm Dia.]

TR022CO8/6

[PRODEZIN & ARROW 50mm]



8mm X 34c/c X 60mm KEY
[2 PEG 7.5mm Dia.]

TR022CO

[R/R 50mm WHEEL HUB]

8mm Key 30mm Centres



8mm X 30c/c X 60mm KEY
3 PEG 6mm Dia 3.5mm HIGH

TR022BD1

[ARROW 40mm AXLES]



8mm X 30c/c X 60mm KEY
3 PEG 6mm Dia 4.0mm HIGH

TR022C02

8mm X 30c/c X 60mm KEY
3 PEG 7.5mm Dia 4.0mm HIGH

TR022C8/60/7.5A

[R/R 50mm AXLES]

[K959]



8mm X 30c/c X 60mm KEY
2 PEG 6mm Dia

TR022BD1



8mm X 30c/c X 60mm KEY
3 PEG 7.5mm Dia. 3.5 HIGH

TR022CRR8/60/7.5



8mm X 30c/c X 60mm KEY
3 PEG 7.5mm Dia. 4.0 HIGH

TR022C8/60/7.5A

BEARINGS & AXLE PARTS

FREE RUNNING



25mm
TR004



30mm
TR005A SKF
TR005B
[USE'S TR0201]



35mm
TR0061 SKF
TR0062
[USE'S TR0201]



40mm
TR006B SKF
TR006C



50mm
TR006D

FRONT WHEEL BEARING 25mm ID

TR007/K25MM [KARTECH HUBS]
TR008OTK [OTK HUBS]



FREE SPIN



6mm FINE TR020
6mm COARSE TR0201
8mm FINE TR020A

BEARING SLEEVE 40 to 30mm

Bearing spacer collar to allow
30mm axle in 40mm bearings

FRONT WHEEL BEARING

TR007 [17mm ID]
TR0071 [17mm ID SEALED]
TR007A [15mm ID SEALED]



FREE SPIN



SEALED



AXLE COLLARS

30mm TR002COL30
30mm TR002COL30A
40mm TR002COL40
50mm TR002COL50A

[AGS BRAND [2]]



TR003ZSLEEVE
[BEARING & FLANGE NOT INC]

FRONT & REAR AXLE SPACERS & NUTS

Rear Wheel Hub Axle Spacers

Rear wheel hubs , short & magnesium hubs on gripy tracks have a tendency to slide in .
The more powerful & heavier class's depend axle/hub spacers to prevent this from happening & hence a more consistence faster kart .

Available for 40mm & 5mm axles

Arrow/Kartech

3mm/5mm/10mm & 20mm
40mm **WH130SPAC40KIT**
50mm **WH130SPAC50KIT**

Italsport



3mm/5mm/10mm & 20mm
40mm **WH130SPAC40ITAL**
50mm **WH130SPAC50ITAL**

Front Wheel Hub Axle Spacers

	SILVER	BLUE	RED	GOLD	PURPLE	GREEN
5mm	WH107	WH1071	WH1072	WH1073	WH1074	WH1075
10mm	WH108	WH1081	WH1082	WH1083	WH1084	WH1085
20mm	WH110	WH1101	WH1102	WH1103	WH1104	WH1105



STUDS

WH104



WHEEL NUTS

WH105



BEARINGS

TR007

17mm I.D.

TR007A

15mm I.D.

WH106

Front Wheel/Stub Axle Nuts

Arrow/Kartech up to 2005	12mm	WH100
Arrow/Kartech 2005 on	14mm	WH102
Speed Karts	12mm	WH100A
CRG/TONY/PCR & most		
EURO KARTS	14mm	WH102
BENSON & OMEGA	9/16"	WH101

REAR WHEEL NUT WITH PLANGE