

EPIL--ENGINE PART

125 IAME Water Cooled

EPIL

**GENERAL
SECTION**

CH

**BRAND
OR
DESCRIPTION**

000

**PART
NUMBER**



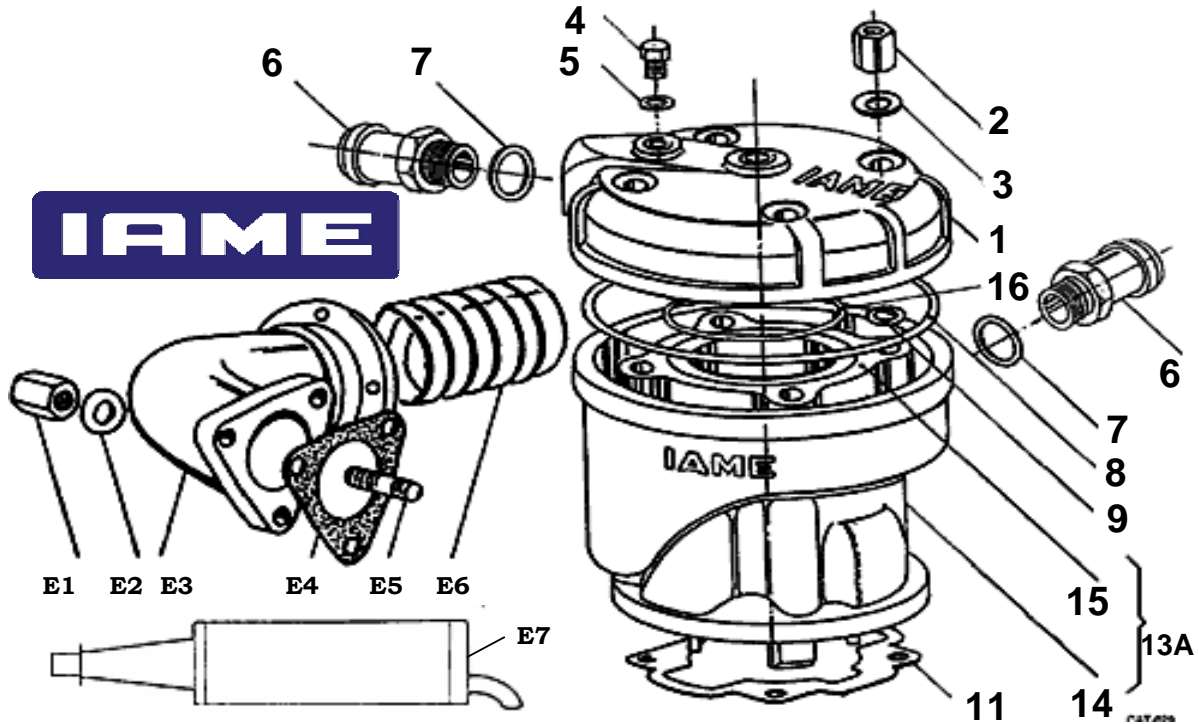
LEOPARD



X30 PARILLA

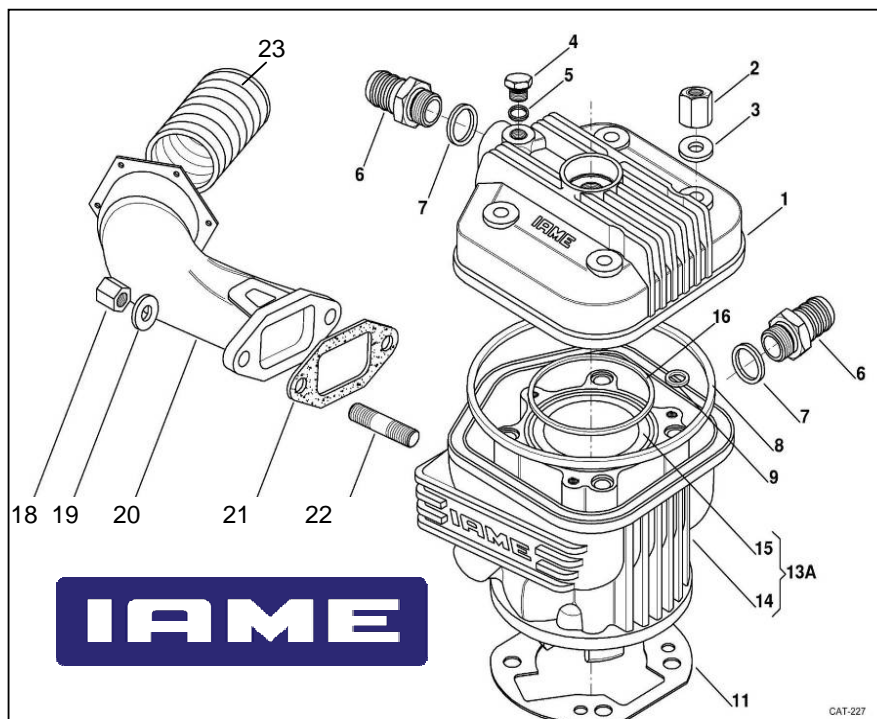
Airbox	Page EPIL-6	Page EPIL-6A
Airbox Rubber	Page EPIL-6	Page EPIL-6A
Bearing Piston [Little End]	Page EPIL-3	Page EPIL-3A
Bearing Clutch	Page EPIL-5	Page EPIL-5A
Bearing Main	Page EPIL-3	Page EPIL-3A
Bush 11 Tooth Sprocket	Page EPIL-5	Page EPIL-5A
Battery,Charger & Mounting	Page-EPIL-8	Page-EPIL-8A
Carby Parts	Page EPIL-6	Page EPIL-6A
Clutch Parts	Page EPIL-5	Page EPIL-5A
Crankcase & Parts	Page EPIL-3	Page EPIL-3A
Crankshaft & Parts	Page EPIL-3	Page EPIL-3A
Drive Sprockets	Page EPIL-5	Page EPIL-5A
Exhaust Muffler & Springs	Page EPIL-2	Page EPIL-2A
Gaskets	Page EPIL-13	Page EPIL-13A
Gaskets & O Rings	Page EPIL-14	Page EPIL-14A
Ignition Parts	Page EPIL-9	Page EPIL-9A
Mounting & Hardware		
Piston & Parts	Page EPIL-4	Page EPIL-4A
Radiator	Page EPIL10	Page EPIL10A
Tools	Page EPIL-12	Page EPIL-12
Water Pump & Pulleys	Page EPIL-11	Page EPIL-11

RL IAME LEOPARD WATER COOLED



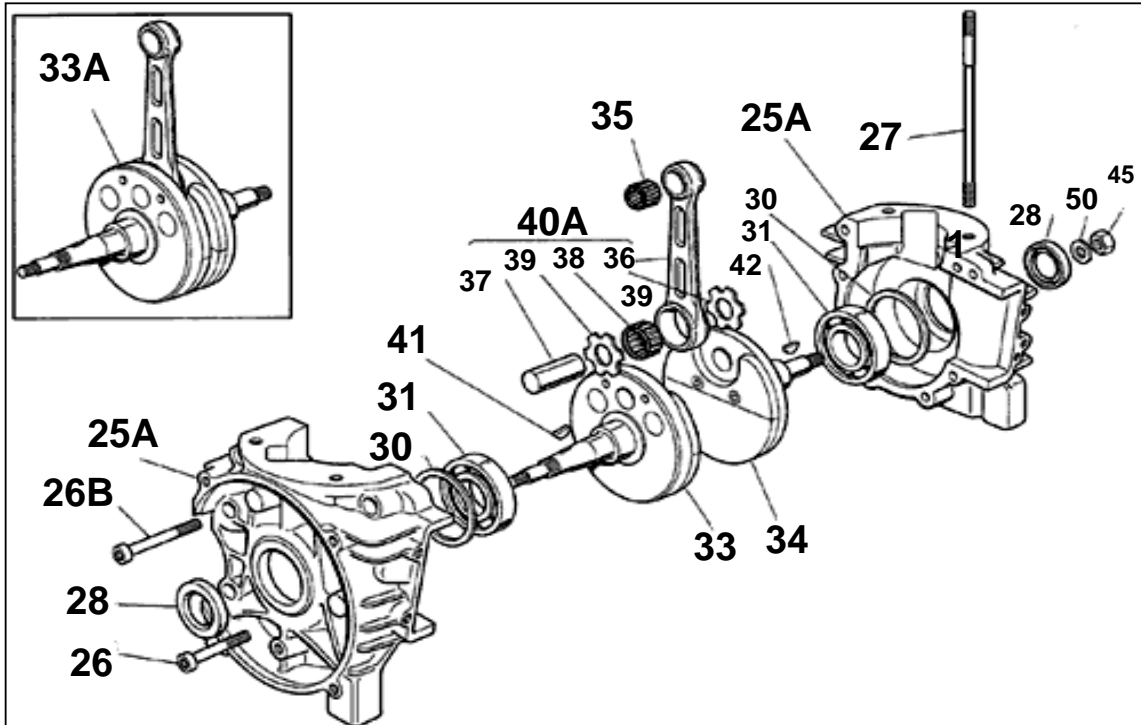
ENGINE PARTS	F I G	IAME 125 RL LEOPARD	IAME 125 RL LEOPARD
GENERAL		AGS part number	Genuine part number
CYLINDER PARTS			
CYLINDER HEAD	1	EPILCH001	A125041
NUT CYLINDER HEAD	2	EPILCH002	10350
WASHER CYLINDER HEAD	3	EPILCH003	10635
TEMPERATURE GAUGE PLUG	4	EPILCH004	B25840
PLUG GASKET	5	EPILCH005	B25845
WATER FITTING PIPE	6	EPILCH006	B25830A
PIPE GASKET	7	EPILCH007	B25835
O RING HEAD OUTER	8	EPILCH008	B25820
O RING HEAD STUD	9	EPILCH009	B25825
GASKET CYL BASE .0025/.08MM	11	EPILCH011	
GASKET CYL BASE .005/.16MM	11	EPILCH011A	
GASKET CYL BASE .008/.2MM [GEN]	11	EPILCH011B	EBP-125045
GASKET CYL BASE .010/.25MM	11	EPILCH011C	
GASKET CYL BASE .015/.38MM	11	EPILCH011D	
GASKET CYL BASE .016/.4MM [GEN]	11	EPILCH011E	EBP-125046
GASKET CYL BASE .020/.5MM	11	EPILCH011F	
CYLINDER/BARREL COMPLETE	13A	EPILCH013A	D25030
CYLINDER/BARREL COMPLETE	13A	EPILCH013A1	A125036
BARREL BARE	14	EPILCH014	D25010
BARREL BARE	14	EPILCH014A	A125016
LINER IRON BARE	15	EPILCH015	D25020
LINER IRON BARE	15	EPILCH015A	A125026
O RING HEAD INNER	16	EPILCH016	DBP95049
NUT EXHAUST HEADER M6	E1	EPILEX140	10660
WASHER EXHAUST HEADER 6MM	E2	EPGNE328	
HEADER EXHAUST	E3	EPE016	B25368A
GASKET EXHAUST HEADER	E4	EPILEX137	B85360
STUD EXHAUST HEADER	E5	EPILEX136	10358
FLEX EXHAUST	E6	EPE023	10711B
MUFFLER EXHAUST	E7	EPILEX143A	10718
Note		Note	

IAME PARILLA X30 125cc WATER COOLED



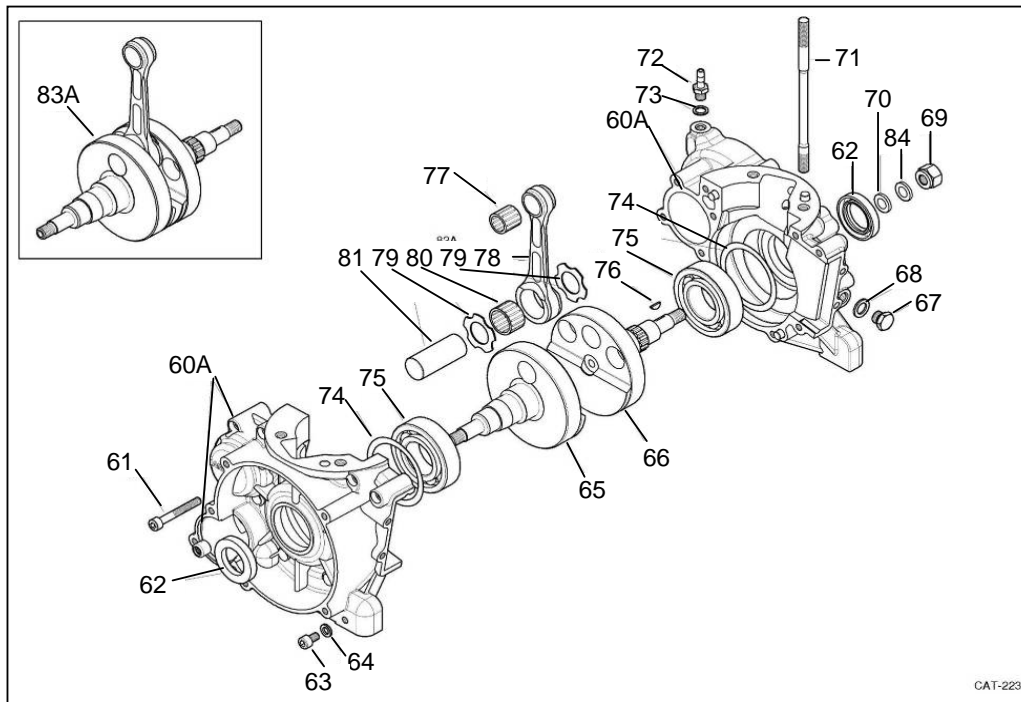
ENGINE PARTS PARILLA	F I G	IAME 125 X30 AGS part number	IAME 125 X30 Genuine part number
CYLINDER PARTS			
CYLINDER HEAD	1	EPILX30CH001	X30125040
NUT CYLINDER HEAD	2	EPILCH002	10350
WASHER CYLINDER HEAD	3	EPILCH003	10635
TEMPERATURE GAUGE PLUG	4	EPILCH004	B25840
PLUG GASKET	5	EPILCH005	B25845
WATER FITTING PIPE	6	EPILCH006	B25830A
PIPE GASKET	7	EPILCH007	B25835
O RING HEAD OUTER	8	EPILX30CH008	F38820
O RING HEAD STUD	9	EPILCH009	B25825
GASKET CYL BASE AGS N/GEN .0025/.08MM	11	EPILX30CH011	
GASKET CYL BASE GENUINE 0.004"/0.1mm	11	EPILX30CH011/G	EBP-125047
GASKET CYL BASE AGS N/GEN .005/.12MM	11	EPILX30CH011A	
GASKET CYL BASE GENUINE 0.008"/0.2mm	11	EPILX30CH011A/G	EBP-125046
GASKET CYL BASE AGS N/GEN .010/.25MM	11	EPILX30CH011C	
GASKET CYL BASE GENUINE 0.016"/0.4mm	11	EPILX30CH011C/G	EBP-125045
GASKET CYL BASE AGS N/GEN .015/.38MM	11	EPILX30CH011D	
GASKET CYL BASE GENUINE 0.20"/0.5mm	11	EPILX30CH011E/G	EBP-125048
GASKET CYL BASE AGS N/GEN 0.20"/0.5mm	11	EPILX30CH011E	
CYLINDER/BARREL COMPLETE	13A	EPILX30CH013A	X30125030
LINER IRON BARE	15	EPILX30CH015	X30125020
O RING HEAD INNER	16	EPILX30CH016	D-37049
NUT EXHAUST HEADER M8 SHORT	18	EPGNE329X30	B71662
NUT EXHAUST HEADER M8 LONG	18	EPGNE329	
WASHER EXHAUST HEADER 8MM	19	EPY611	00332-K
HEADER EXHAUST	20	EPE016X30	X30125365
GASKET EXHAUST HEADER	21	EPG029	B75360
STUD EXHAUST HEADER 8 X 36	22	EPY610	B75355
FLEX EXHAUST	23	EPE017	10711-B
MUFFLER EXHAUST		EPILEX143A	10718
Note			Note

RL LEOPARD CRANKCASE



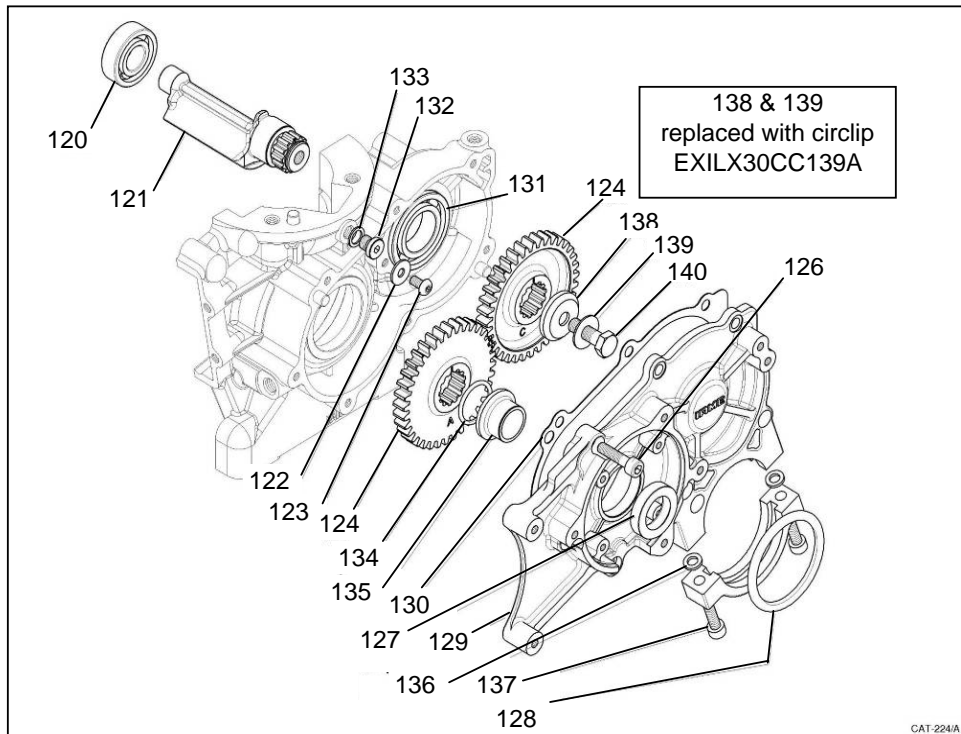
ENGINE PARTS PARILLA	F I G	IAME 125 RL LEOPARD AGS part number	IAME 125 RL LEOPARD Genuine part number
CRANKCASE PARTS			
CRANKCASE COMPLETE	24A	EPILCC024A	A125485A
BOLT CRANKCASE	26	EPILCC026	00049
BOLT CRANKCASE	26B	EPILCC026B	00051
STUD CYLINDER/HEAD	27	EPILCC027	B25347
SEAL DRIVE SIDE	28	EPG069AGS	
SEAL IGNITION SIDE	29	EPG069AGS	
SHIM STEEL BEARING 0.1mm	30	EPILCC030	30407
SHIM STEEL BEARING 0.15mm	30	EPILCC030A	30404
BEARING MAIN 6205 Note 1 [52mm OD]	31	EPG072	35396
CRANKSHAFT COMPLETE	32A	EPILCC032A	A125617B
CRANKSHAFT HALF DRIVE	33	EPILCC033	A125385
CRANKSHAFT HALF IGNITION	34	EPILCC034	A125390
BEARING LITTLE END 14X18X18	35	EPILCC035	E10440
CONROD BARE 102mm	36	EPILCC036	DBP95458
CRANK PIN 18 X 47 mm	37	EPILCC037	B36451
BEARING BIG END 18X24X15mm	38	EPGBE354AGS	B10431
WASHER BIG END THRUST	39	EPGBS002	E38436
CONROD ASSEMBLY	40A	EPILCC040A	DBP9545847
KEY SPROCKET	41	EPILCC041	11715
KEY MAGNETO	42	EPILCC042	10375
NUT MAGNETO	45	EPILCC045	000380
WASHER	50	EPILCC050	000340
Note 1 EPG072 [6205TN9/C4] [9 BALL] EPG072/8 [6205ETN9/C4] [8 BALL]			Note

IAME PARILLA X30 125cc WATER COOLED



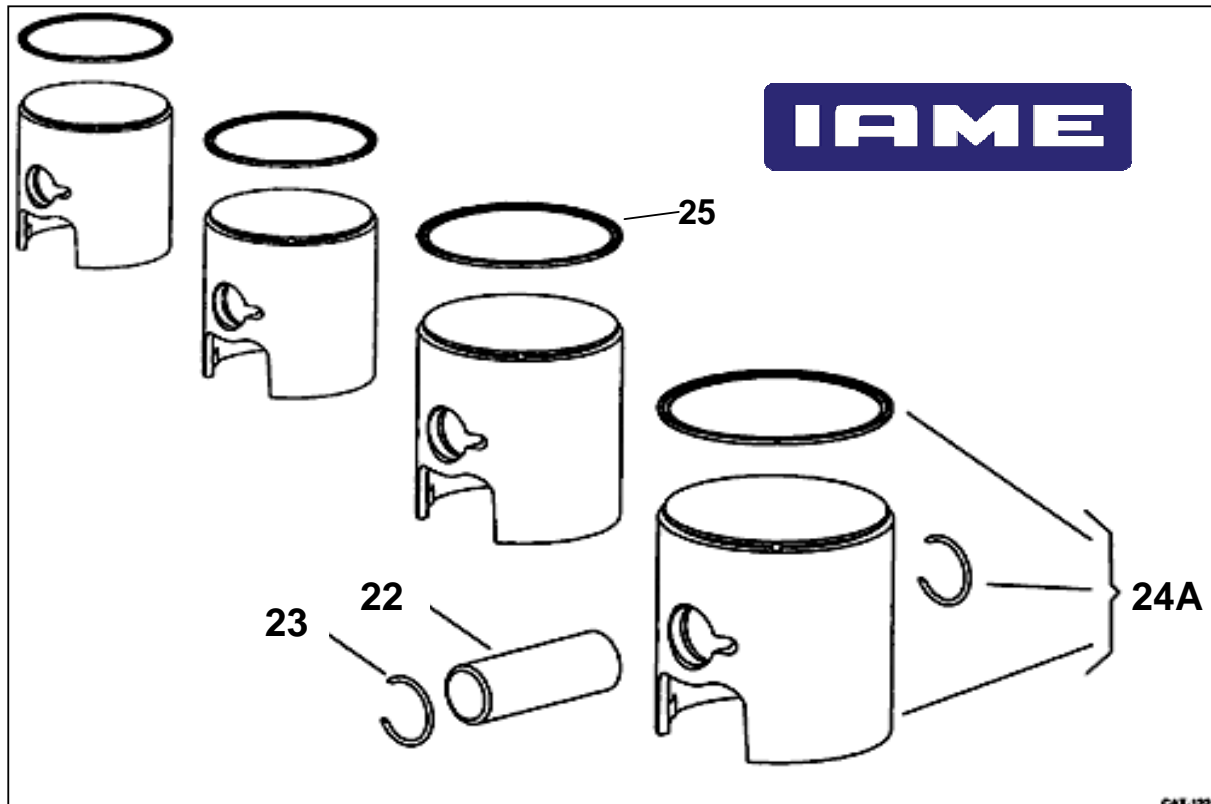
ENGINE PARTS PARILLA	FIG	IAME 125 X30 AGS part number	IAME 125 X30 Genuine part number
CRANKCASE PARTS			
CRANKCASE COMPLETE	60A	EPILX30CC60A	X30125485-C
BOLT CRANKCASE [6 X 45mm]	61	NBC645	00049-K
SEAL DRIVE SIDE [25 X 40 X 7]	62	EPG069X30	X30125425A
SEAL IGNITION SIDE [25 X 40 X 7]	62	EPG069X30	X30125425A
BOLT CRANKCASE [6 X 12mm]	63	NBC612	00059-K
WASHER M6	64	NBW06	00302-K
CRANKSHAFT HALF IGNITION	65	EPILX30CC65	X30125385
CRANKSHAFT HALF DRIVE	66	EPILX30CC66	X30125390
TEMPERATURE PLUG	67	EPILCH004	B-25840
WASHER TEMPERATURE PLUG	68	EPILCH005	B-25845
NUT MAGNETO	69	EPILCC045	OO382
WASHER M10	70	EPILCC050	00305-K
STUD CYLINDER HEAD [8 X 153mm]	71	EPILCC027	B-25347
PRESSURE FITTING	72		D-95800
WASHER PRESSURE FITTING	73		B-71805
SHIM STEEL BEARING 0.1mm	74	EPILX30CC030	X30125405
SHIM STEEL BEARING 0.15mm	74	EPILX30CC030A	X30125406
BEARING MAIN 6206	75	[Note 1]	X30125396
KEY MAGNETO 10 X 3.7 X 2.5mm	76	EPILCC042	10375
BEARING LITTLE END 14X18X18	77	EPGLE060AGS	E-10440
THRUST WASHER BIG END	79	EPGBS004X30	X30125436
BEARING BIG END	80	EPGBE354X30	X30125431
CRANK PIN 20 X 48.8 mm	81	EPGBEP35648MM	X30125450
CONROD BARE 102mm	82A	EPILX30CC082A	IFC-50100-C
CRANKSHAFT COMPLETE	83A	EPILX30CS083A	X30125617
CROWNER WASHER	84	EPILX30CC084	00342-K
Note 1 EPRCC932588 [6206TN9/C3] EPRCC932588AGS [6206TN9/C4]			Note

IAME PARILLA X30 125cc WATER COOLED



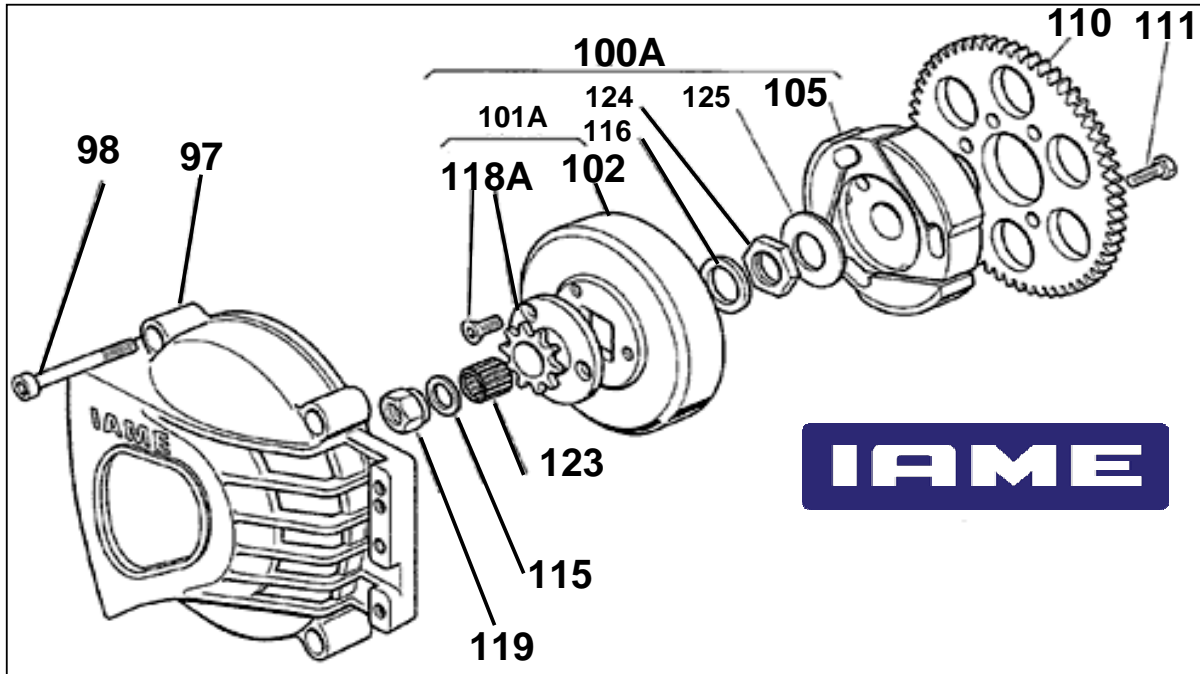
ENGINE PARTS PARILLA	F I G	IAME 125 X30 AGS part number	IAME 125 X30 Genuine part number
CRANKCASE PARTS			
BEARING BALL 6202TB9/C3	120	EP210 S0042	X30125745A
BALANCE SHAFT	121	EPILX30CC121	X30125750
WASHER M5 X 15	122		00313-K
SCREW FIXING BALL BEARING	123		00257-K
GEAR BALANCE SHAFT	124	EPILX30CC124	X30125755
BOLT COVER M6 X 16	126	NBC616	00042-K
SEAL GEAR COVER 22 X 32 X 7	127	EPILX30CC127	X30125880
O RING DAMPENER	128	EPILX30CC128	X30125853
IGNITION SUPPORT COVER	129	EPILX30CC129	X30125875A
KIT IGNITION COVER	129A		X30125875A-C
GASKET COVER GENUINE	130	EPILX30CC130	X30125878
GASKET COVER NON GENUINE	130	EPILX30CC130AGS	
BEARING BALL 6005TN9/C3	131	EPRCC232340AGS	X30125746A
PLUG PRESSURE 8mm	132		X30125490
GASKET PRESSURE FITTING	133		B-71805
O RING GASKET BALANCE GEAR	134		X30125762
SPACER BALANCE GEAR	135	EPILX30CC135	X30125760
WASHER 6mm	136		00302-K
BOLT 6 X 25mm	137	NBC625	00045-K
WASHER	138	EPILX30CC138	X30125748
WASHER CONED SAFETY	139	EPILX30CC139	X30125749
CIR CLIP	139A		
Note 1			Note

RL LEOPARD & X30 PISTONS & RINGS



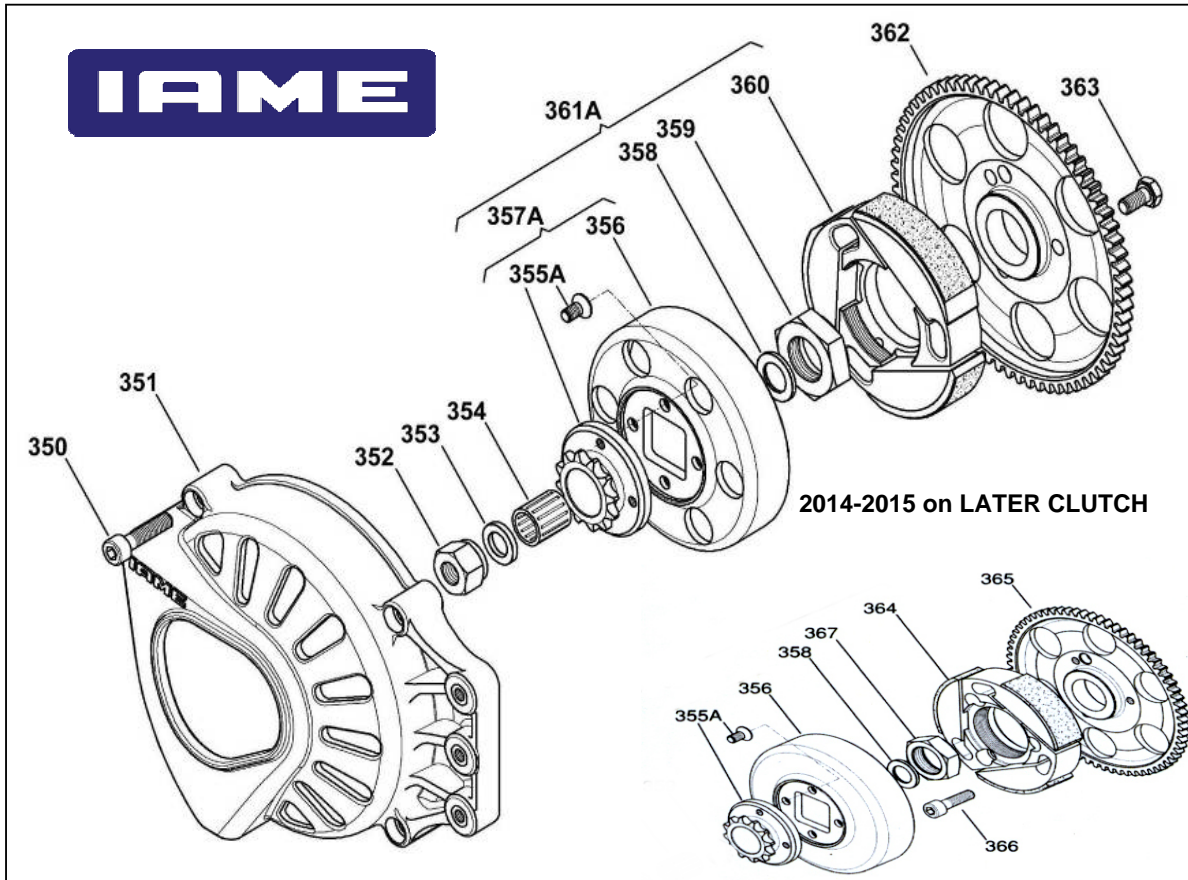
ENGINE PARTS PARILLA	FIG	IAME 125 LEOPARD & X30 AGS part number	IAME 125 LEOPARD & X30 Genuine part number
PISTON & PINS			
PISTON PIN 3 14 X 44	22	EPGLP004	B30320G
PISTIN CLIP	23	EPILCH023	10341A
PISTON COMP 54.00 GREEN	24A	EPILCH024A00	BP25051CV
PISTON COMP 54.00 RED	24A	EPILCH024A00R	BP25051CR
PISTON COMP 54.02 GREEN	24A	EPILCH024A02G	BP25056CV
PISTON COMP 54.02 RED	24A	EPILCH024A02R	BP25056CR
PISTON COMP 54.05 GREEN	24A	EPILCH024A05G	BP25058CV
PISTON COMP 54.05 RED	24A	EPILCH024A05R	BP25058CR
PISTON COMP 54.10 GREEN	24A	EPILCH024A10G	BP25061CV
PISTON COMP 54.10 RED	24A	EPILCH024A10R	BP25061CR
PISTON COMP 54.12 GREEN	24A	EPILCH024A12G	BP25066CV
PISTON COMP 54.12 RED	24A	EPILCH024A12R	BP25066CR
PISTON COMP 54.15 GREEN	24A	EPILCH024A15G	BP25068CV
PISTON COMP 54.15 RED	24A	EPILCH024A15R	BP25068CR
PISTON COMP 54.20 GREEN	24A	EPILCH024A20G	BP25071CV
PISTON COMP 54.20 RED	24A	EPILCH024A20R	BP25072CR
PISTON COMP 54.22 GREEN	24A	EPILCH024A22G	BP25076CV
PISTON COMP 54.22 RED	24A	EPILCH024A22R	BP25076CR
PISTON COMP 54.25 GREEN	24A	EPILCH024A25G	BP25081CV
PISTON COMP 54.25 RED	24A	EPILCH024A25R	BP25081CR
PISTON COMP 54.27 GREEN	24A	EPILCH024A27G	BP25086CV
PISTON COMP 54.27 RED	24A	EPILCH024A27R	BP25086CR
RING PISTON 54.00mm	25	EPILCH003R00	
RING PISTON 54.05mm	25	EPILCH003R05	
RING PISTON 54.11mm	25	EPILCH003R11	
RING PISTON 54.15mm	25	EPILCH003R15	
RING PISTON 54.21mm	25	EPILCH003R21	
RING PISTON 54.26mm	25	EPILCH003R26	
Note			Note

RL LEOPARD CLUTCH



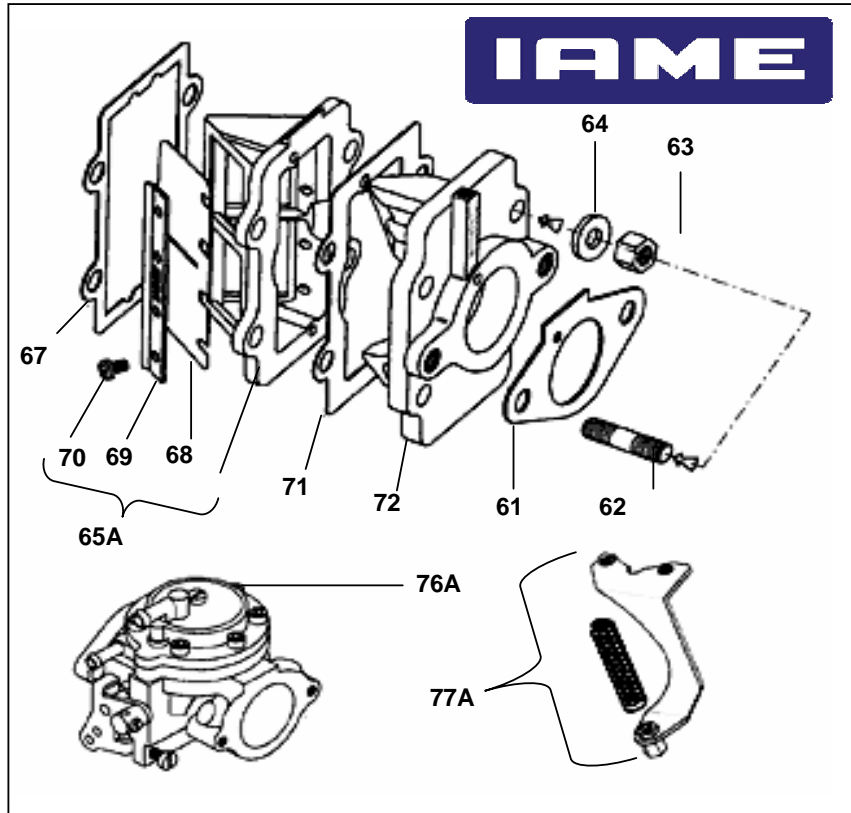
ENGINE PARTS PARILLA	F I G	IAME 125 LEOPARD AGS part number	IAME 125 LEOPARD Genuine part number
CLUTCH PARTS			
CLUTCH GUARD	97	EPILCL097	A60595B
BOLT GUARD M6X40	98	EPILCL098	00048
CLUTCH GROUP Z11	100A	EPILCL100A	A120841AC
COMPLETE DRUM W/11T SPROCKET	101A	EPILCL101A	A60551C
CLUTCH DRUM	102	EPILCL102	A60550
CLUTCH SHOE & LINING	105	EPILCL105	A120840A
STARTER RING GEAR	110	EPILCL110	A100830
BOLT RING GEAR M6X12	111	EPILCL111	00161
WASHER EXTERNAL	115	EPILCL115	D75573
WASHER THRUST INTERNAL	116	EPILCL116	D75565
SPROCKET 10T W/SCREWS GENUINE	118A	TR041LEP10	D75555C
SPROCKET 10T W/SCREWS N/GEN	118A	TR041LEP10A	
SPROCKET 11T W/SCREWS GENUINE	118A	TR041LEP11	
SPROCKET 11T W/SCREWS N/GEN	118A	TR041LEP11A	
NUT STARTER	119	EPILCL119	D75570
BEARING CLUTCH	123	EPILCL123	D75598
NUT LOCKING	124	EPILCL124	A60560
WASHER CONED SAFTEY	125	EPILCL125	D75563
Note			Note

PARILLA X30 CLUTCH



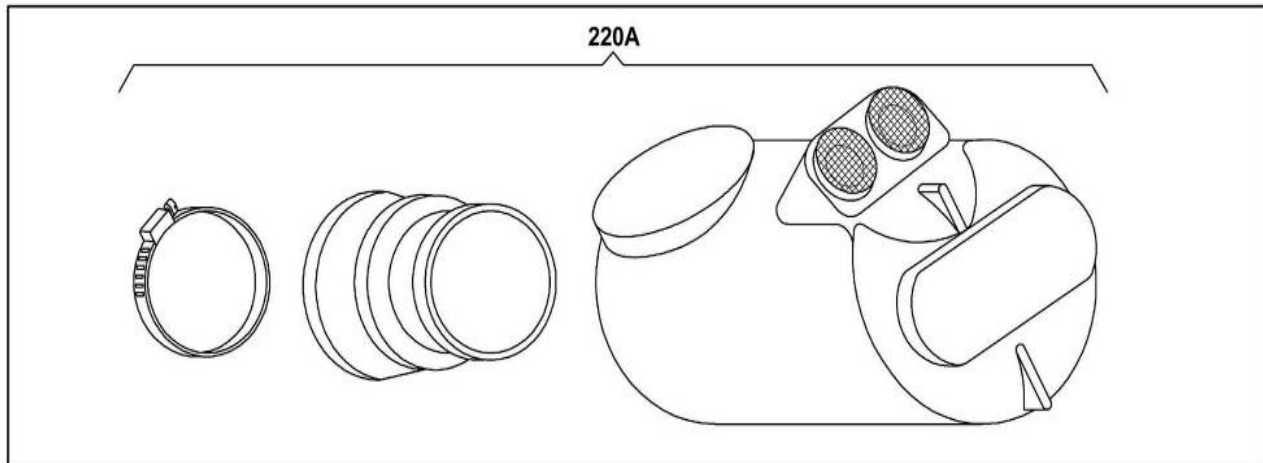
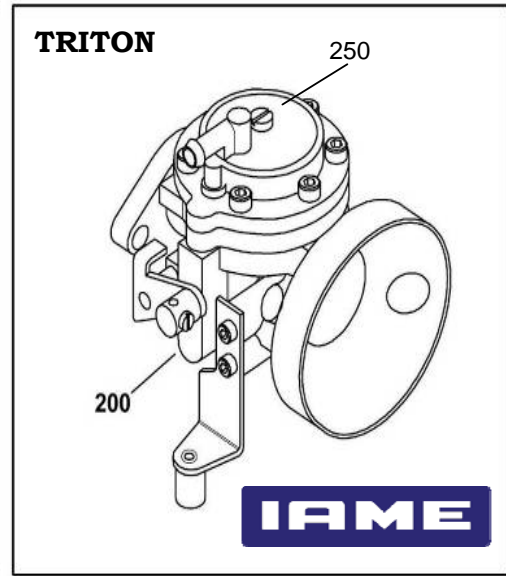
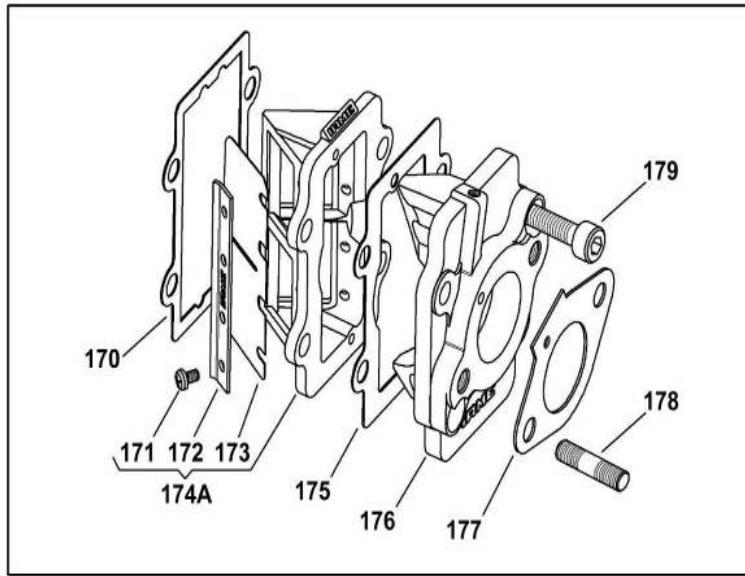
ENGINE PARTS PARILLA	FIG	IAME 125 X30 AGS part number	IAME 125 X30 Genuine part number
CLUTCH PARTS			
CLUTCH GUARD	350	EPILX30CL351	X30125595
BOLT GUARD M6X25	351	NBC625	00045
NUT STARTER	352	EPILCL119	D75570
WASHER EXTERNAL	353	EPILCL115	D75573
BEARING CLUTCH	354	EPILCL123	D75598
SPROCKET 10T W/SCREWS GENUINE	355A	TR041X3010	X30125840-C
SPROCKET 11T W/SCREWS GENUINE	355A	TR041X3011	X30125841-C
SPROCKET 12T W/SCREWS GENUINE	355A	TR041X3012	X30125842-C
CLUTCH DRUM PRE 2015	356	EPILX30CL356	X30125550
CLUTCH DRUM 2015 ON S/A KA100	356	EPILKACL356	X30125550A
SP/DRUM 10T W/SCREWS GENUINE	357A	EPILX30CL357A10	X30125550-C
SP/DRUM 11T W/SCREWS GENUINE	357A	EPILX30CL357A11	X30125551-C
SP/DRUM 12T W/SCREWS GENUINE	357A	EPILX30CL357A12	X30125552-C
WASHER THRUST INTERNAL 1.8mm	358	EPILCL116	D75565
NUT LOCKING SPROCKET PRE 2014	359	EPILX30CL359	X30125560
NUT LOCKING SPROCKET 2014 ON	359	EPILX30CL359A	X30125560
CLUTCH SHOE & LINING PRE 2014	360	EPILX30CL360	X30125840
CLUTCH SHOE & LINING 2014 ON	360	EPILX30CL360A	X30125840
CLUTCH GROUP Z10	361A	EPILX30CL36110	X30125840-C
CLUTCH GROUP Z11	361A	EPILX30CL36111	X30125841-C
STARTER RING GEAR PRE 2014	362	EPILX30CL362	X30125830
STARTER RING GEAR 2014	362	EPILX30CL362A	
Note			Note

RL LEOPARD INTAKE



ENGINE PARTS PARILLA	F I G	IAME 125 LEOPARD	IAME 125 LEOPARD
INLET PARTS		AGS part number	Genuine part number
GASKET CARBURETOR	61	EPG022	10360A
STUD CARBURETOR	62	EPILCA062	10525
NUT STUD CARBURETOR	63	EPILCA063	00351
WASHER CARBURETOR	64	EPILCA064	00302
REED BLOCK ASSEMBLY	66A	EPG004	11828C
GASKET REED BLOCK INNER	67	EPG020	11810
REED PETAL	68	EPILCA068	11840
PLATE REED PETAL	69	EPILCA069	F11845
SCREW REED PETAL	70	EPILCA070	10380
GASKER REED BLOCK OUTER	71	EPG021	11805A
REED MANIFOLD STUFFER	72	EPILCA072	B75817A
AIR BOX	74A	EPILCA074A	10745C
AIRBOX ADAPTOR CARBURETOR	75A	EPILCA075A	10771C
CARBURETOR HL334AB 23mm	76A	CATI301	10916B
BRACKET THROTTLE CABLE	77A	EPILCA077A	B35520C

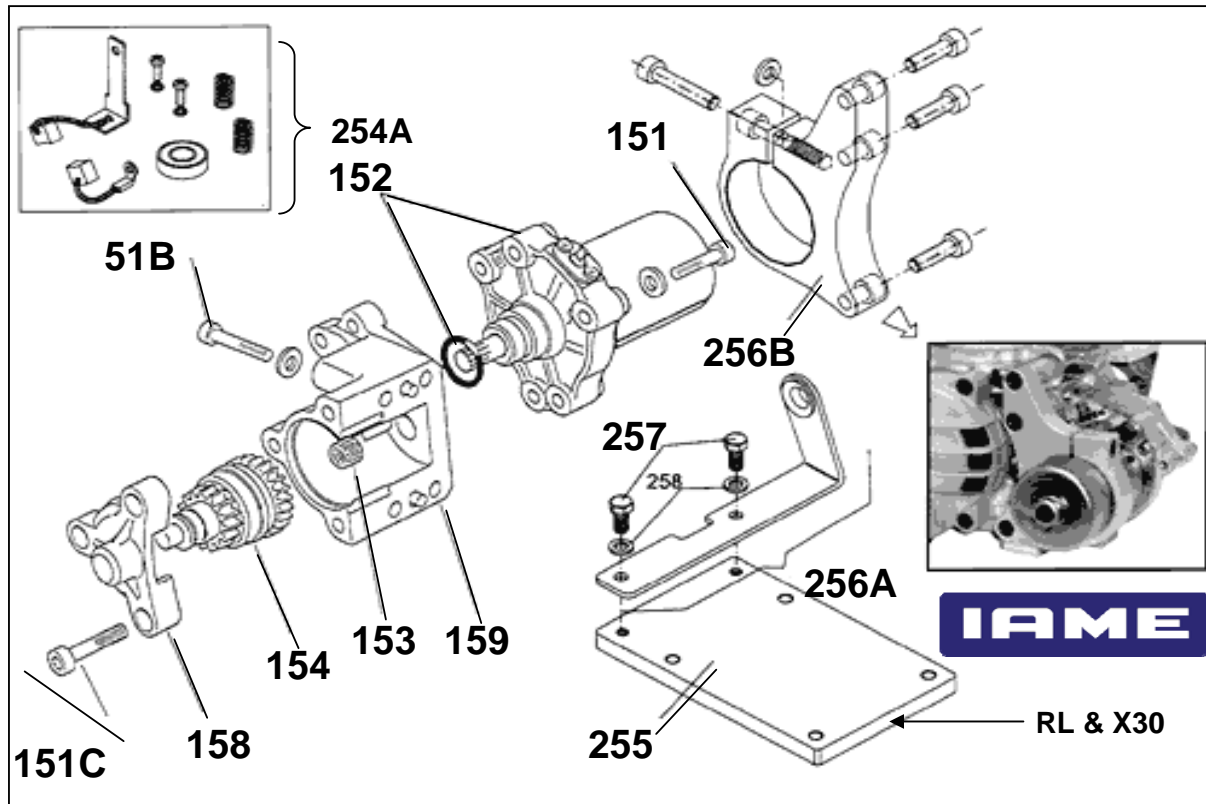
PARILLA X30 INTAKE



CAT-232

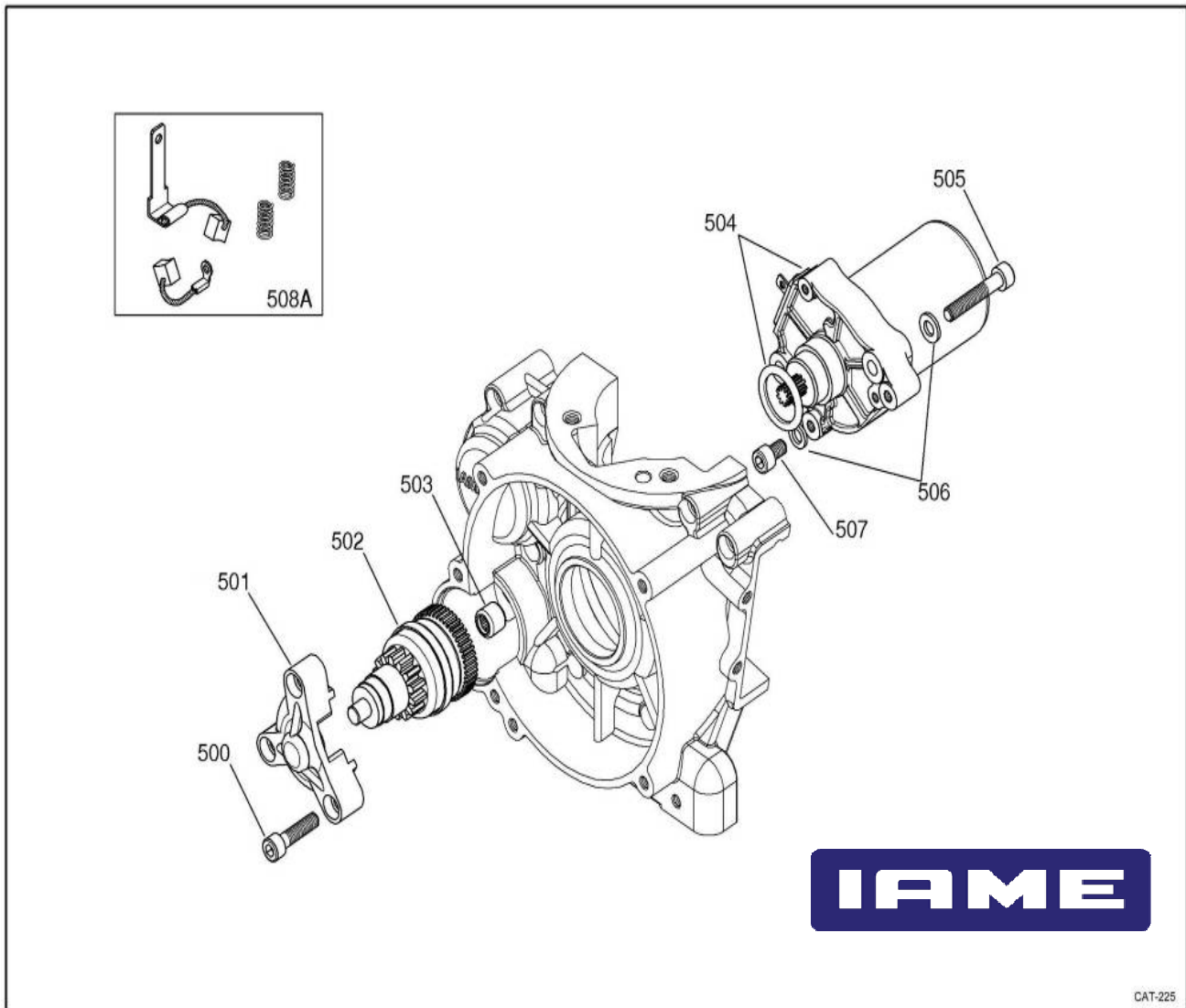
ENGINE PARTS PARILLA	FIG	IAME 125 X30	IAME 125 X30
INLET PARTS		AGS part number	Genuine part number
GASKET REED BLOCK INNER	170	EPG0201X30	X30125810
SCREW REED PETAL	171	EPILCA062	10525
PLATE REED PETAL	172	EPILX30CA172	F-11845A
REED PETAL STD [FIBRE GLASS .3]	173	EPG001AX30	X3011840
REED BLOCK ASSEMBLY	174A	EPILX30CA174A	X3011830-C
GASKET REED BLOCK OUTER	175	EPG0211X30	F-11805
REED MANIFOLD STUFFER	176	EPILX30176	X30125815
GASKET CARBURETOR	177	EPG022	F11845
STUB CARBURETOR [6 X 30mm]	178	EPILCA062	F-40525
BOLT CAP HEAD [6 X 25mm]	179	NBC625	
CARBURETOR HB 27mm [TRYTON]	200	CAT1303X30	10948A
AIR BOX KG SQUARE	220A	CAAB0483	10745
CARBURETOR DIA/GASK KIT			
CARBURETOR O/HAUL KIT			
INLET PLASTIC TOP	250		

RL LEOPARD STARTER MOTOR



ENGINE PARTS PARILLA	F I G	IAME 125 LEOPARD AGS part number	IAME 125 LEOPARD Genuine part number
ELECTRIC STARTER			
BOLT STARTER FIXING M6X35	151	EPILIS151	00047
BOLT STARTER SUPPORT M6X45	151B	EPILIS151B	00049
BOLT C/SHAFT SUPPORT M6X25	151C	EPILIS151C	00045
STARTER ASSY GENUINE [MITSUBA]	152	EPILIS152	A120850
STARTER ASSY. ITALSPORT	152	EPRIS294800B	
STARTER ASSY. YAMAHA [MITSUBA]	152	EPY960	
STARTER O/HAUL KIT [MITSUBA]	254A	EPRISKIT	7.4MM X 5.8MM
STARTER O/HAUL KIT [ITALSPORT]	254A	EPRISKIT ITAL	5.8MM X 5.8MM
BEARING ROLLER	153	EPILIS153	A60865
COUNTERSHAFT	154	EPILIS154	A120855
SUPPORT COUNTERSHAFT	158	EPILIS158	A60870
SUPPORT STARTER HOUSING	159	EPILIS159	A120860
ADDITIONAL ENGINE PLATE	255	EPILIS255	A120800
STARTER SUPPORT	256A	EPILIS256A	A120863C
STARTER SUPPORT 03	256B	EPILIS256B	A125863C
BOLT M8X14	257	EPILIS257	00199
WASHER M8	258	EPILIS258	00303
Note			Note

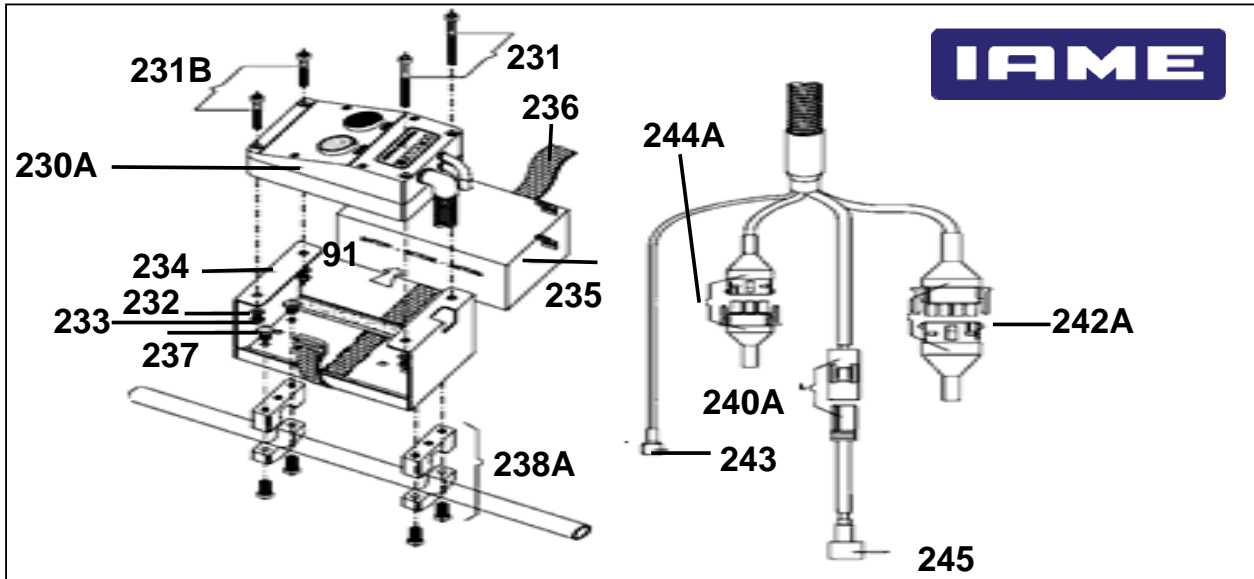
PARILLA X30 STARTER MOTOR



CAT-225

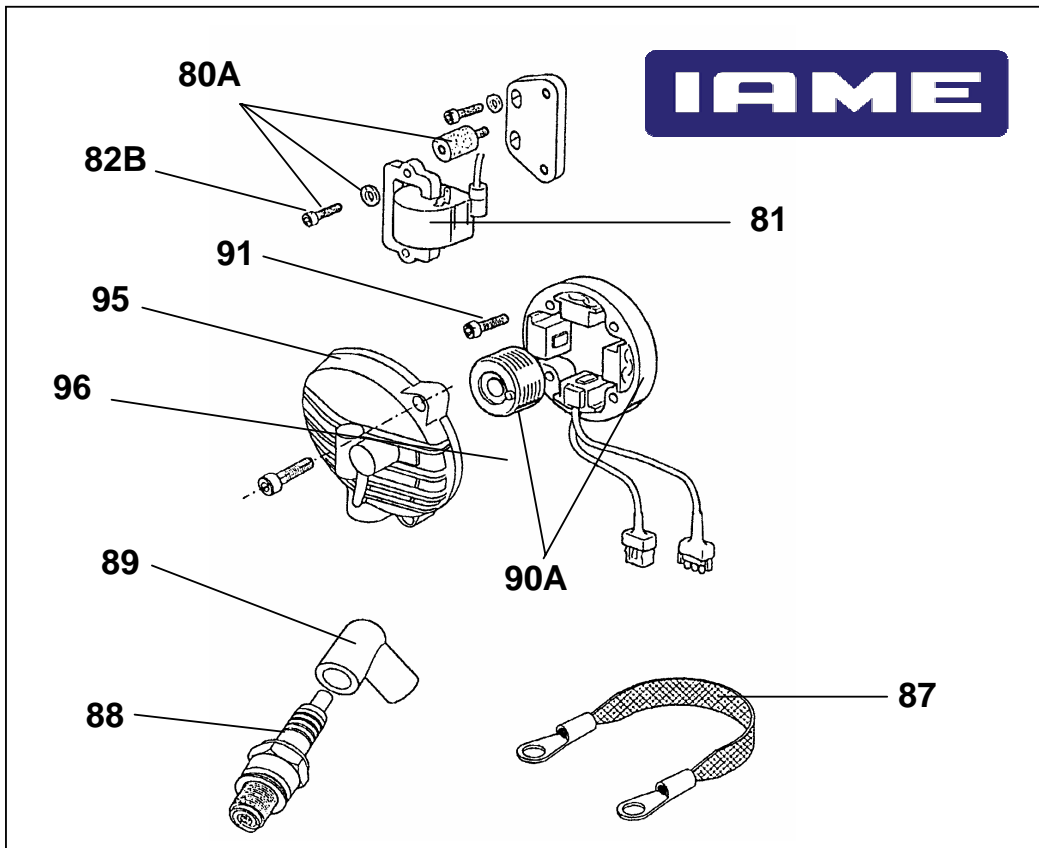
ENGINE PARTS PARILLA	FIG	IAME 125 X30 AGS part number	IAME 125 X30 Genuine part number
ELECTRIC STARTER			
BOLT STARTER FIXING M6X25	500	NBC625	00047-K
COUNTER SHAFT SUPORT	501	EPILIS158A	A-60870-C
COUNTER SHAFT [BENDIX]	502	EPILIS154	A-120855
BEARING ROLLER COUNTERSHAFT	503	EPILIS153	A60865
STARTER ASSY. GENUINE [MITSUBA]	504	EPILIS152	A120850
STARTER ASSY. ITALSPORT	504	EPRIS294800B	
STARTER ASSY. YAMAHA [MITSUBA]	504	EPY960	
STARTER O/HAUL KIT [MITSUBA]	508A	EPRISKIT	7.4MM X 5.8MM
STARTER O/HAUL KIT [ITALSPORT]	508A	EPRISKIT ITAL	5.8MM X 5.8MM
WASHER 6mm	506	NBW6	00302-K
BOLT [6 X 12mm]	507	NBC612	
Note			Note

RL LEOPARD WIRING & ELECTRICS



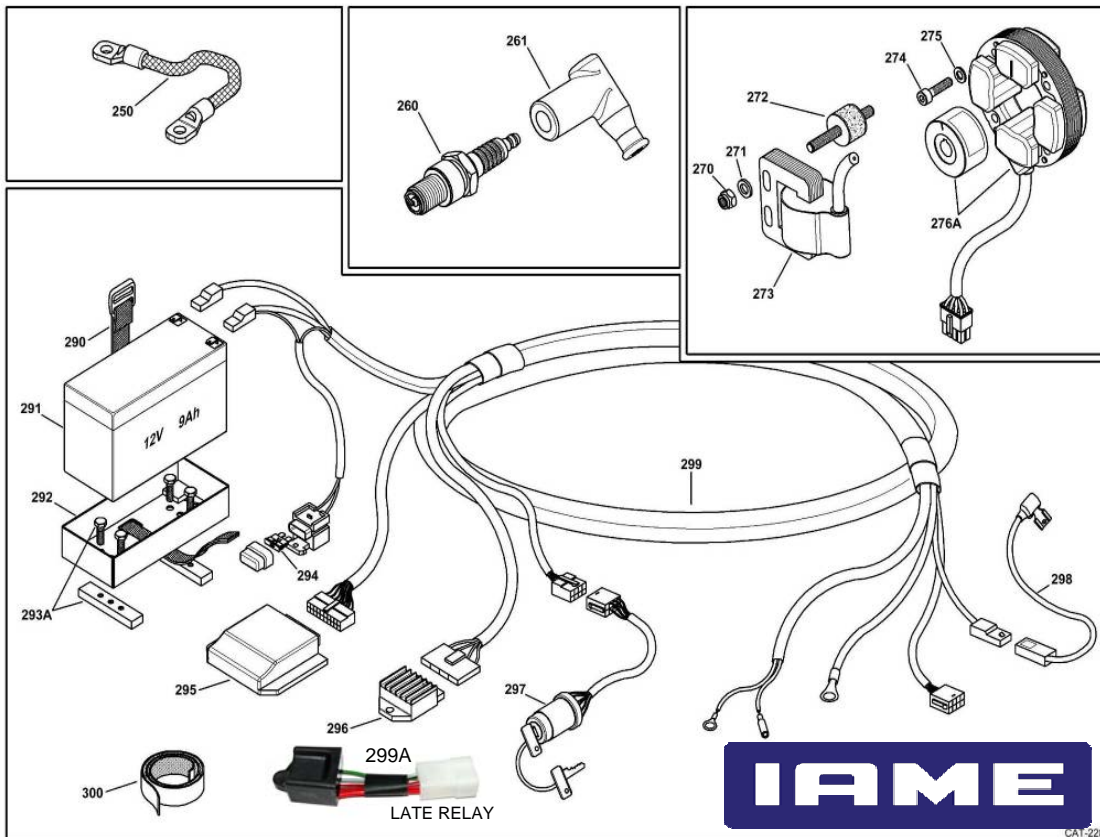
ENGINE PARTS PARILLA	FIG	IAME 125 LEOPARD AGS part number	IAME 125 LEOPARD Genuine part number
ELECTRICS & WIRING			
POWER PACK WITH WIRES 2003	230A	EPILIS230A	A60930DC
BOLT POWER PACK M5X60	231	EPILIS231	00028
BOLT POWER PACK M5X40	231B	EPILIS231B	00039
WASHER	232	EPILIS232	00301
NUT LOCK	233	EPILIS233	00376
SUPPORT BATTERY	234	EPILIS234	A120905B
BATTERY	235	EPILIS235	A120900
BATTERY	235A	EPILIS235A	A120900A
BATTERY ROTAX	235	EPRIS265510	
STRAP BATTERY	236	EPILIS236	A60904A
BOLT SUPPORT BATTERY M6X10	237	EPILIS237	00159
ALLOY CLAMP W/BOLTS 30MM	238A	EPILIS238A	A60907C
ALLOY CLAMP W/BOLTS 32MM	238A1	EPILIS238A1	A60908C
WATER PROOF POWER PACK COVER	239	EPILIS239	A60960
STARTER CONNECTION WITH CABLE	240A	EPILIS240A	A60919C
COMPLETE IGNITION CONNECTION	242A	EPILIS242A	A60937C
H.T. COIL CONNECTION	243	EPILIS243	A60938
COMPLETE CONNECTION PICK UP	244A	EPILIS244A	A60939C
STARTER CONNECTION	245	EPILIS245	A60940
Note			Note

RL LEOPARD ELECTRICS



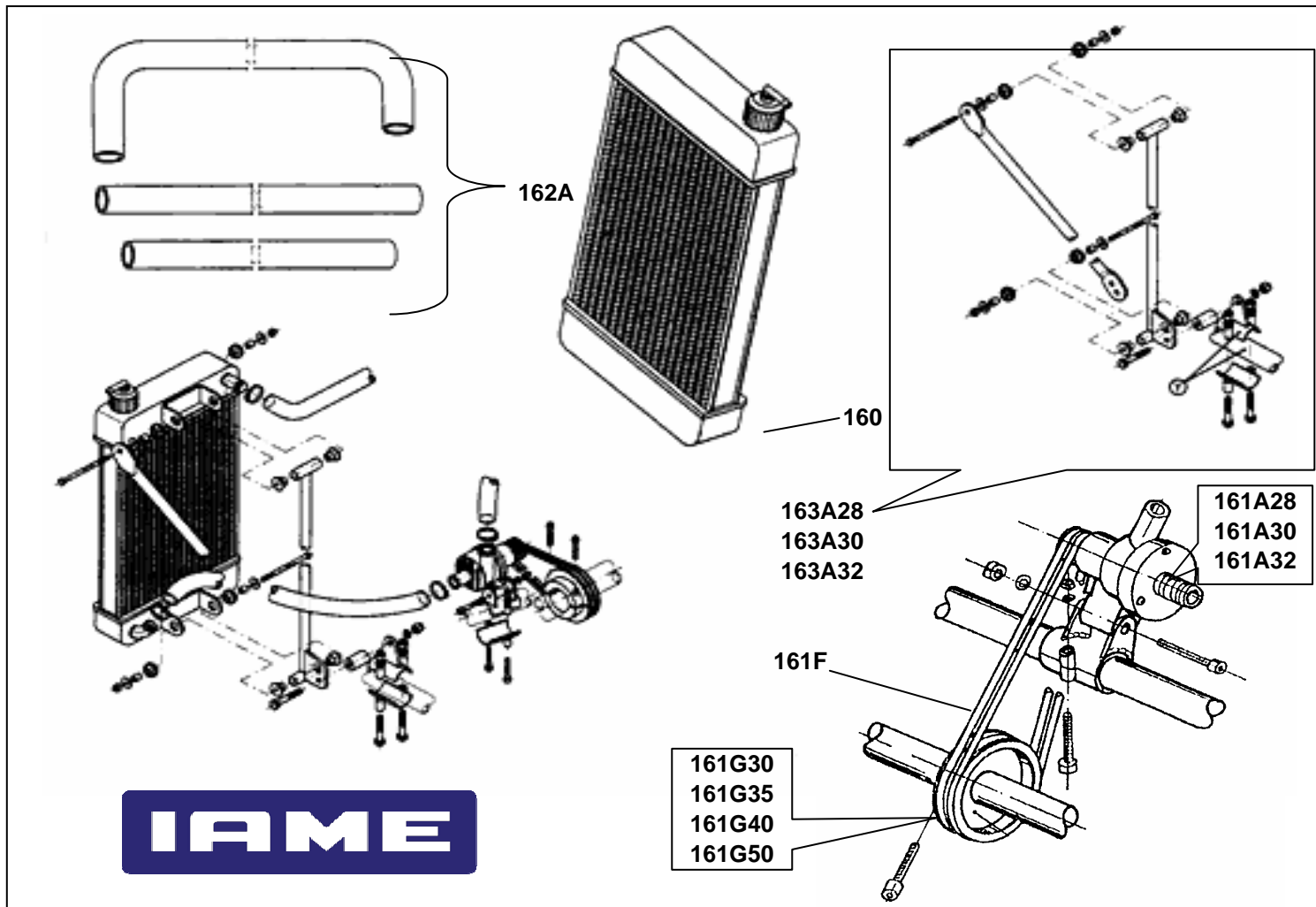
ENGINE PARTS GENERAL	F I G	IAME 125 LEOPARD AGS part number	IAME 125 LEOPARD Genuine part number
IGNITION			
RUBBER MOUNT KIT COIL	80A	EPGC043	A60520C
SELETTRA COIL	81	EPILIS081	10025
BOLT COIL M5X1	82B	EPILIS082B	00031
CABLE EARTH	87	EPILIS087	B35805A
SPARK PLUG BR10EG	88	EPILIS088	10561A
CAP SPARK PLUG	89	EPILIS089	10541
SELETTRA IGNITION	90A	EPILIS090A	10015A
BOLT IGNITION M5X25	91	EPILIS091	00034
COVER IGNITION PLASTIC	95	EPILIS095	A60875B
BOLT IGNITION COVER	96	EPILIS096	00043
SPARK PLUG B10EGV	88	SP003	
SPARK PLUG CAP	89	SP012	
Note			Note

PARILLA RL LATE & X30 ELECTRICS



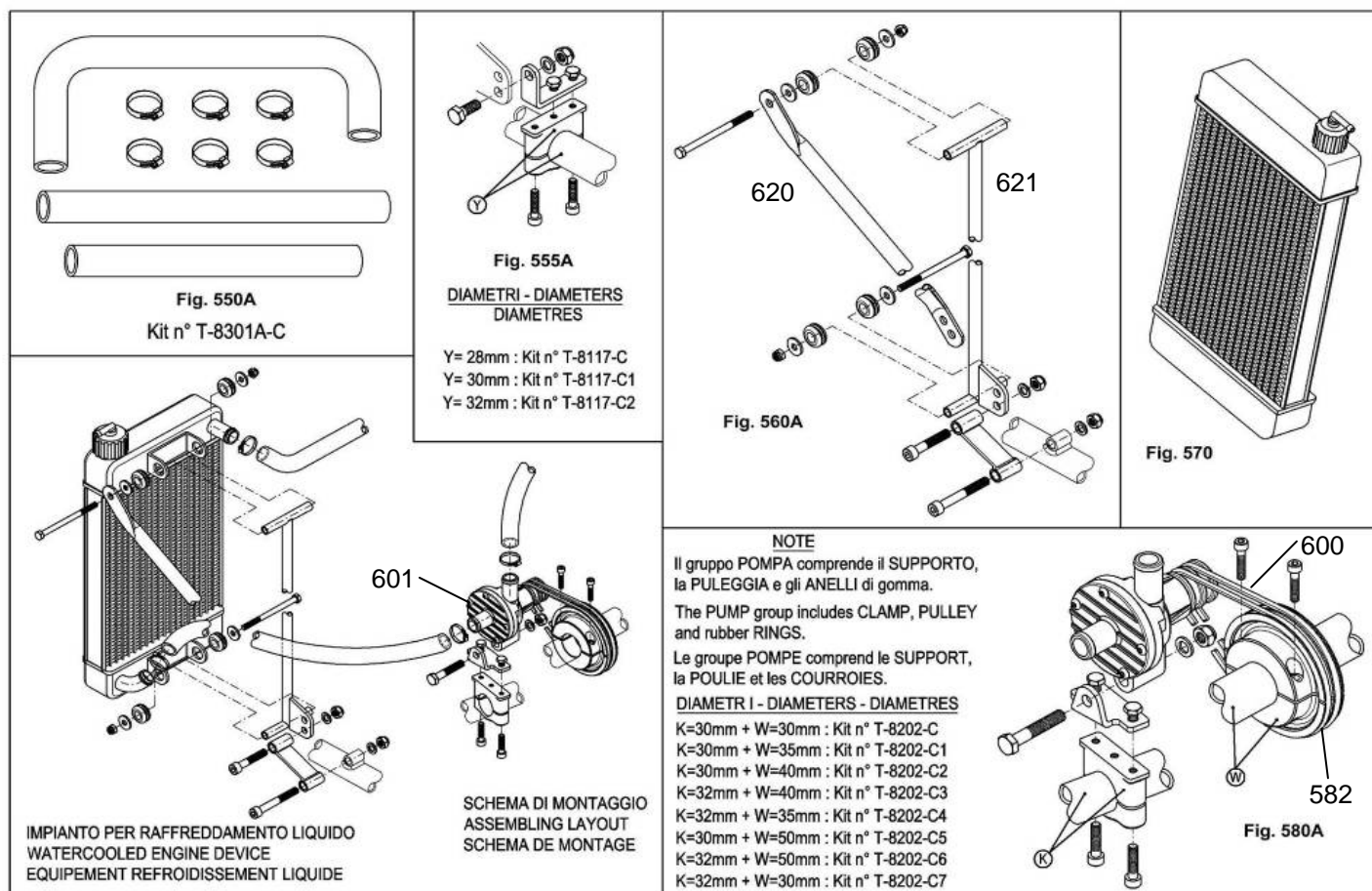
ENGINE PARTS PARILLA	FIG	IAME 125 X30 AGS part number	IAME 125 X30 Genuine part number
ELECTRICS			
EARTH STRAP COIL	250	EPGC073	B-35805-A
SPARK PLUG [BR9EG]	260	SP003	10561
SPARK PLUG [BR10EG]	260	SP005	10561-A
CAP SPARK PLUG	261	SP012	10544
NUT 6MM	270	NBNL06	00378-K
WASHER 6MM	271		00302-K
INSULATOR COIL	272	EPGC044	B-35810-A
COIL [SELETTA]	273	EPILIS081	X30125955
BOLT STATOR MOUNT [SELETTA]	274	NBC525	00034-K
WASHER 5MM	275		00301-K
IGNITION [ROTOR & STATOR] 12MM	276A	EPILIS090AX30	X30125950
STRAP HOLD DOWN BATTERY	290	EPILIS236	A-6094A
BATTERY FIAMM	291	GABATTERY/FIAMM	X30125900 [FGH20902]
BATTERY [MOTOBAT]	291	GABATTERY/R	
BATTERY [GENUINE ROTAX]	291	GABATTERY/ROTAX	
BATTERY [WET YUASA]	291	GABATTERY/YUASA	
BATTERY BOX BASE	292	EPILIS234	X30125905
CLAMP BATTERY BOX	293A	EPG/WA911 [30mm]	X30125906-C
FUSE	294	EPILIS247	X30125942
MINI POWER UNIT [GREEN AKA20L]	295	EPILIS082	X30125930AS
RELAY	296	EPILIS083	X30125941
STARTER KEY ASSY	297	EPILIS233	X30125936-C
STARTER CABLE	298		A-60934A
WIRING LOOM ASSY EARLY RELAY	299	EPILIS299	
WIRING LOOM ASSY LATE RELAY	299	EPILIS299A	X30125935-C
Note		Note	
LATER RL IGNITION IS X30 WITH 10MM STATOR		EPILIS090AROTOR	

RL LEOPARD COOLING SYSTEM



ENGINE PARTS PARILLA	FIG	IAME 125 LEOPARD AGS part number	IAME 125 LEOPARD Genuine part number
COOLING SYSTEM PARTS			
RADIATOR	160	EPILRA160	T8000A
WATER PUMP	161	EPILRA161	EPG/WA850
WATER PUMP IMPELLER	161B	EPILRA161B	EPG/WA851
SEAL WATER PUMP	161C	EPILRA161C	EPG/WA852
CIR CLIP WATER PUMP	161D	EPILRA161D	EPG/WA854
PULLEY WATER PUMP	161E	EPRA161E	EPG/WA857
CHASSIS CLAMP 28MM	161A28	EPILRA161A28	EPG/WA860
CHASSIS CLAMP 30MM	161A30	EPILRA161A30	EPG/WA860A
CHASSIS CLAMP 32MM	161A32	EPILRA161A32	EPG/WA860B
DRIVE BELTS WATER PUMP	161F	EPILRA161F	
PULLEY AXLE 30mm	161G30	EPG/WA900E	
PULLEY AXLE 35mm	161G35	EPG/WA900B	
PULLEY AXLE 40mm	161G40	EPG/WA900D	
PULLEY AXLE 50mm	161G50	EPG/WA900D1	
HOSE RADIATOR KIT	162A	EPRA162A	T8301C
RADIATOR SUPPORT KIT 28MM	163A28	EPILRA163A28	T8128C
RADIATOR SUPPORT KIT 30MM	163A30	EPILRA163A30	T8130C
RADIATOR SUPPORT KIT 32MM	161A32	EPILRA163A32	T8132C
THERMOSTAT ASSEMBLY 50 DEG.	164A	EPILRA164A	T8400C

PARILLA X30 COOLING SYSTEM



CAT-244

ENGINE PARTS PARILLA	F I G	IAME 125 X30 AGS part number	IAME 125 X30 Genuine part number
COOLING SYSTEM PARTS			
COMPLETE PIPE KIT	550A	EPILX30RA550A	T8301C
BRACKET AND CLAMP KIT 28mm	555A	EPILRA161A28	T8117C
BRACKET AND CLAMP KIT 30mm	555A	EPILRA161A30	T8117C1
BRACKET AND CLAMP KIT 32mm	555A	EPILRA161A32	T8117C2
RADIATOR SUPPORT KIT [350 H]	560A	EPILX30560A	T8133C
RADIATOR SUPPORT KIT [410 H]	560A	EPILRA560A	T8135C
RADIATOR 350mm HEIGHT	570	EPILRA160	T8000A
RADIATOR 410mm HEIGHT	570	EPILX30RA570	T8000B
COMPLETE PUMP KIT 30/30mm	580A	EPILX30RA580A	T8202C
COMPLETE PUMP KIT 30/40mm	580A	EPILX30RA580B	T8202C2
COMPLETE PUMP KIT 32/40mm	580A	EPILX30RA580C	T8202C3
COMPLETE PUMP KIT 32/50mm	580A	EPILX30RA580D	T8202C6
PULLEY AXLE 30mm	582	EPG/WA900B	
PULLEY AXLE 40mm	582	EPG/WA900D3	
PULLEY AXLE 50mm	582	EPG/WA900D3	
THERMOSTAT ASSEMBLY 50 DEG.	590A	EPG/WA8001	T8400C
THERMOSTAT ASSEMBLY 55 DEG.N/G	590A	EPG/WA800	
WATER PUMP DRIVE BELTS	600	EPG/WA900E	
WATER PUMP GENUINE IAME	601	EPILRA161	
WATER PUMP	601	EPG/WA890	
STAY TO BEARING CARRIER	620	EPG/WA991IAME01	
MAIN SUPPORT BRACKET	621	EPG/WA911IAME02	

WATER PUMPS & PARTS



R/R WATER PUMP ASSY,
EPG/WA892



REPAIR KIT
EPG/WA9004
[K514K]



SEAL
8 X 22 X 7
EPG/WA9002



BEARING
8 X 22 X 7
GAK1261



**R/R WATER PUMP
PLASTIC**
EPG/WA893



EPG/WA9005
[K699]



DRIVE BELT O RING [QTY 2]
EPG/WA900E



ITALSPORT WATER PUMP ASSY,
EPG/WA890

ALLOY

IAME PUMP ASSY,
EPG/WA891IAME

WATER PUMP PULLEYS

PLASTIC



DRIVE BELT Q/RELEASE
EPG/WA900E1



30mm EPG/WA900BPR/R



40mm EPG/WA900BPR/R



40mm EPG/WA900BR/R



50mm EPG/WA900D2PR/R



50mm EPG/WA900D2

WATER PUMP MOUNTS

GOLD



COMPLETE ASSEMBLY
Sold in 2 Parts



MOUNT BRACKET
EPG/WA862



28mm CHASSIS	GAC092BASE/28G
30mm CHASSIS	GAC093BASE/30G
32mm CHASSIS	GAC094BASE/32G

BLACK



COMPLETE ASSEMBLY
Sold in 2 Parts



MOUNT BRACKET
EPG/WA862A [BLACK]
EPG/WA862B [TITAINIM COLOUR]



28mm CHASSIS	GAC092/BASE/28B
30mm CHASSIS	GAC093/BASE/30B
32mm CHASSIS	GAC094/BASE/32B

IAME GENUINE MOUNTS



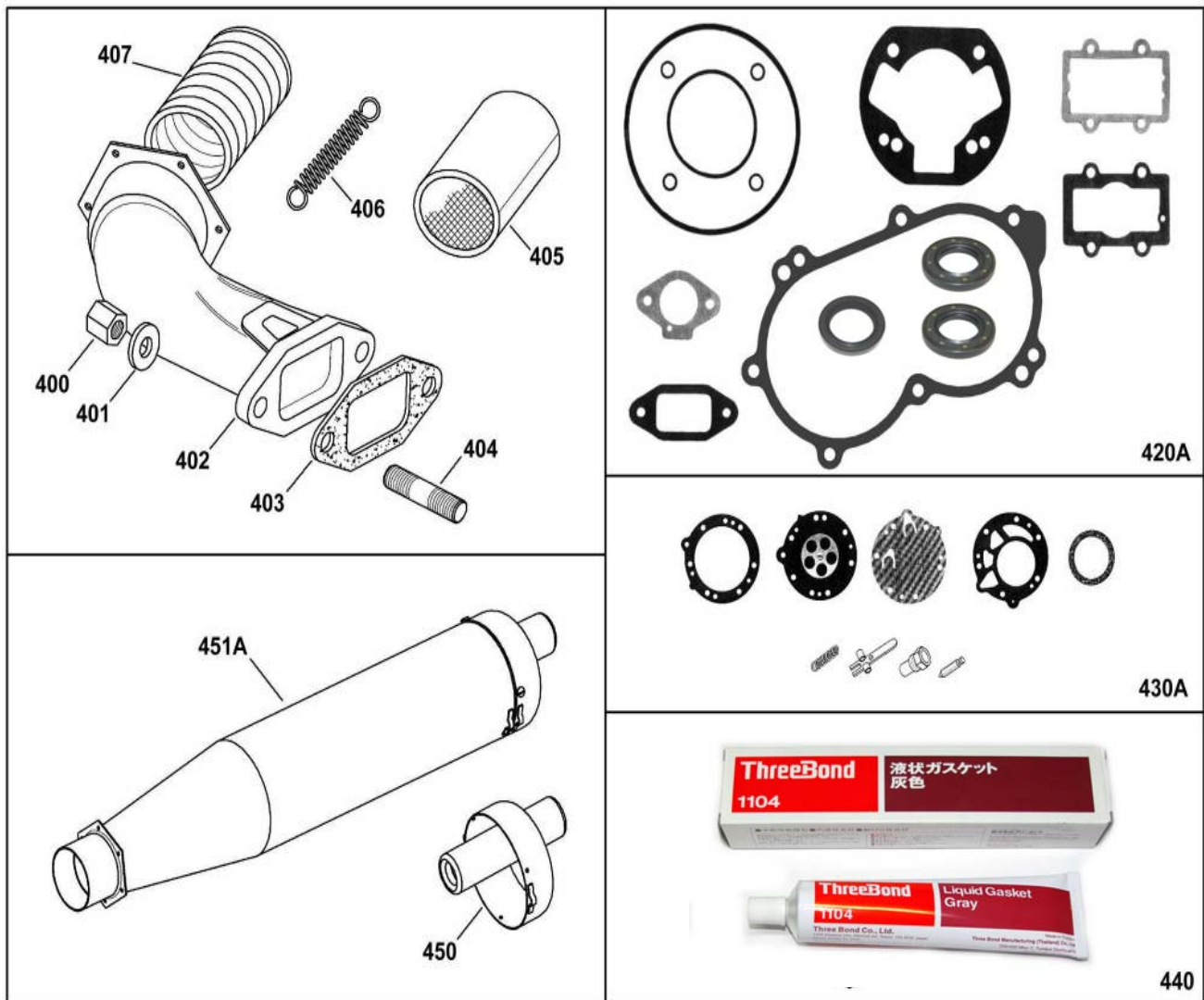
EPG/WA911/I30	30mm CHASSIS	GENUINE IAME
EPG/WA911/I32	32mm CHASSIS	GENUINE IAME

KARTECH UNIVERSAL CHASSIS MOUNT

28mm TO 32mm
EPG/WA911



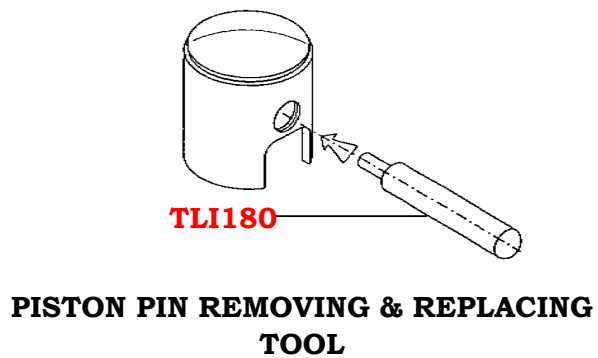
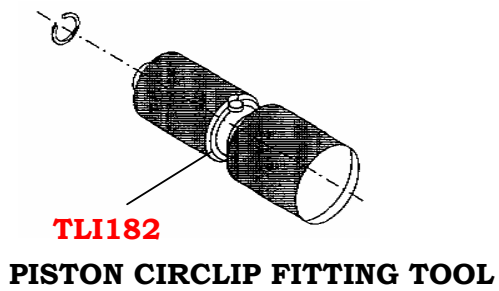
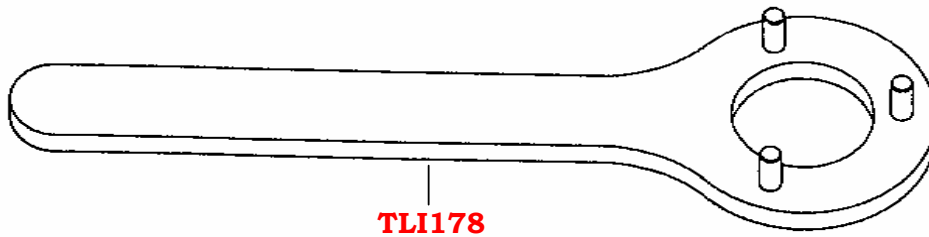
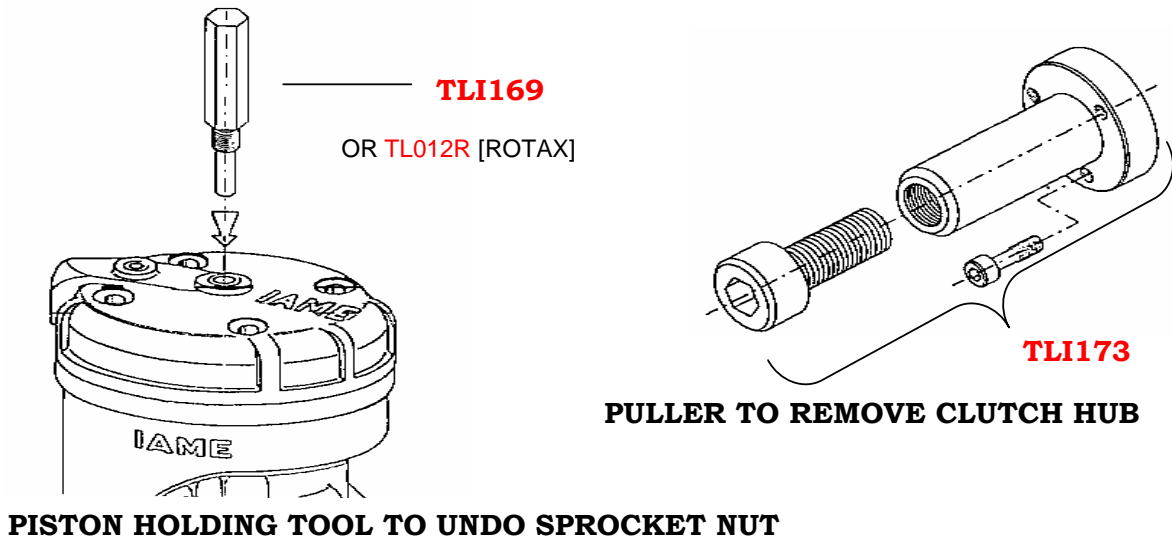
PARILLA X30 EXHAUST & GASKETS



CAT-231

ENGINE PARTS PARILLA	F I G	IAME 125 X30 AGS part number	IAME 125 X30 Genuine part number
EXHAUST & GASKETS			
NUT EXHAUST HEADER	400	EPGNE329X30	B71662
WASHER EXHAUST NUT	401		00332K
EXHAUST PIPE HEADER	402	EPE016X30	X30125365
GASKET EXHAUST HEADER	403	EPG029	B75360
STUD EXHAUST HEADER 8 X 36	404	EPILKAEX404	B75355
SILOCONE SHEATH	405	EPE023AITAL125CC	A60736
SPRING HEADER FLEX	406	EPE030C	10784
FLEX HEADER	407	EPE023	10711B
GASKET SET	420A	EPILX30CH010KIT	X30125990
CARBURETOR O/HAUL KIT	430A	CAT1142BKIT	10949A
GASKET SEALANT	440	LUGS042	OO602
END CAP MUFFLER	450	SEE EXHAUST SECTION	X30125721
MUFFLER	451	EPE006X30	X30125718

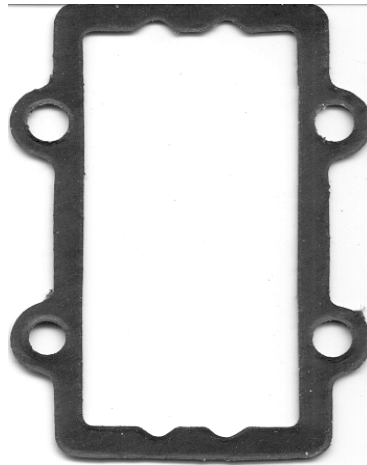
IAME ENGINE TOOLS



GASKETS RL LEOPARD Water Cooled



CARBURETOR TO MANIFOLD
GASKET
EPG022



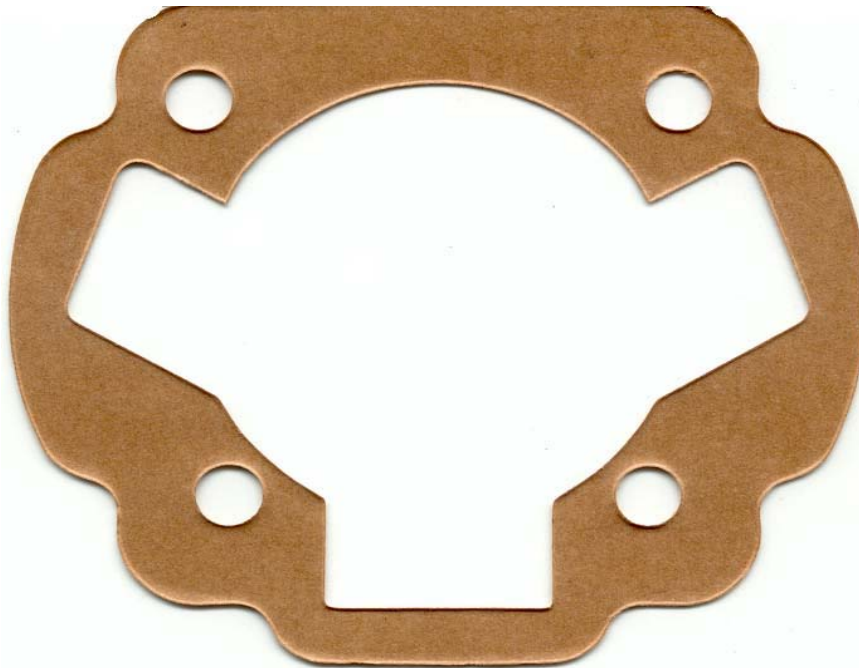
REED BLOCK INNER GASKET
EPG020



REED BLOCK OUTER GASKET
EPG021

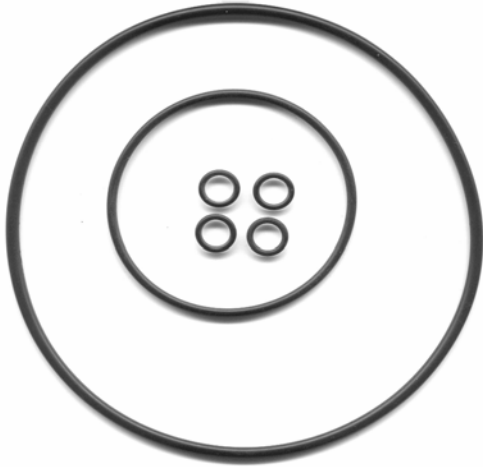


EXHAUST MANIFOLD GASKET
EPIL137A



GASKET CYL BASE .0025/.08MM [nomex]	EPILCH011
GASKET CYL BASE .005/.16MM [elephantide]	EPILCH011A
GASKET CYL BASE .010/.25MM [blue]	EPILCH011C
GASKET CYL BASE .015/.38MM [blue]	EPILCH011D
GASKET CYL BASE .020/.5MM [blue]	EPILCH011F

RL LEOPARD GASKET SETS



CYLINDER HEAD OUTER O RING

EPILCH008

CYLINDER HEAD INNER O RING

EPILCH016

CYLINDER HEAD STUD O RINGS

EPILCH009

CYLINDER HEAD O RING SET

EPILCH009KIT



EPILCH008

CYLINDER HEAD INNER O RING

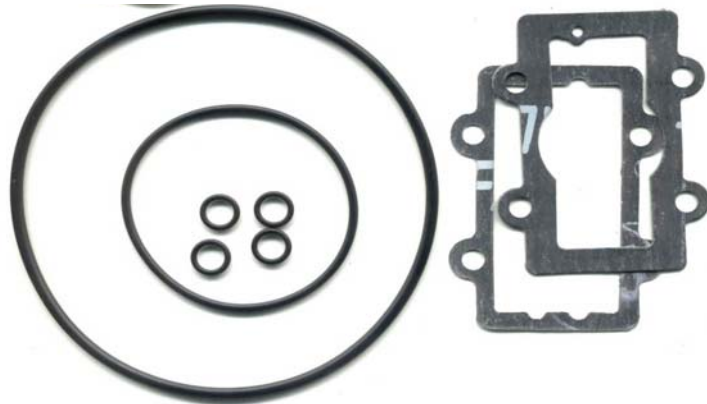
EPILCH016

CYLINDER HEAD STUD O RINGS

EPILCH005

CYLINDER BASE GASKETS

GASKET CYL BASE .0025/.08MM	EPILCH011
GASKET CYL BASE .005/.16MM	EPILCH011A
GASKET CYL BASE .010/.25MM	EPILCH011C
GASKET CYL BASE .015/.38MM	EPILCH011D
GASKET CYL BASE .020/.5MM	EPILCH011F



REED BLOCK GASKET INNER

EPG020

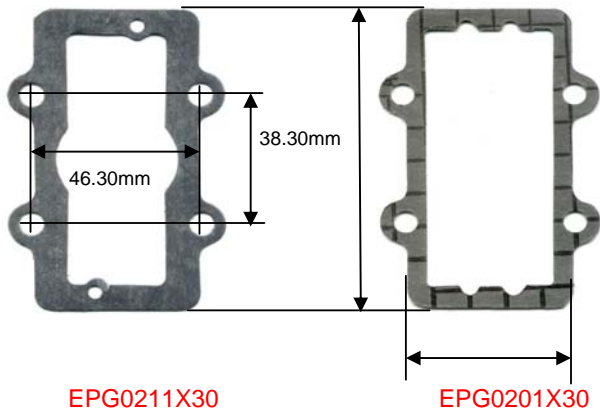
REED BLOCK GASKET OUTER

EPG021

EPILCH009GKIT

COMPLETE ENGINE O RING GASKET SET

IAME X30 GASKETS



EPG0211X30

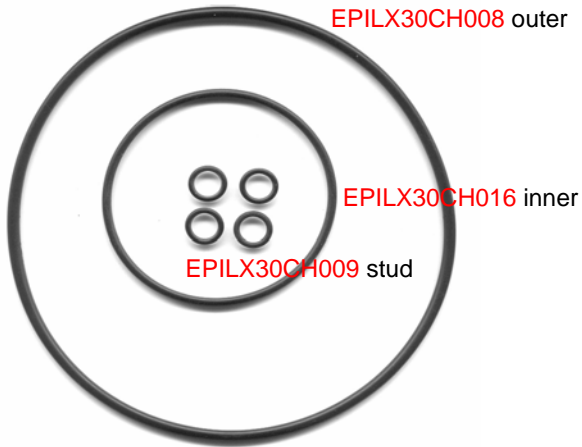
EPG0201X30



EPG022



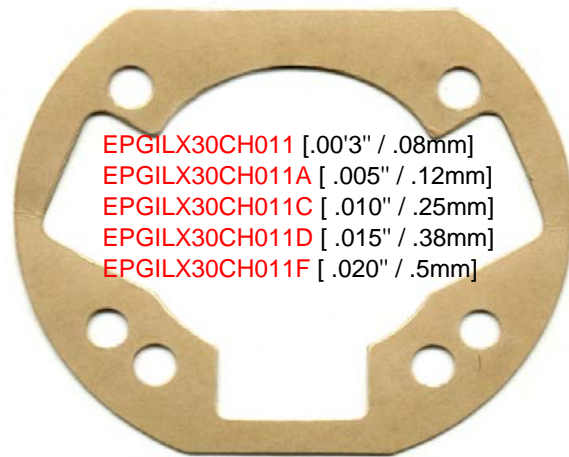
EPG029



EPILX30CH008 outer

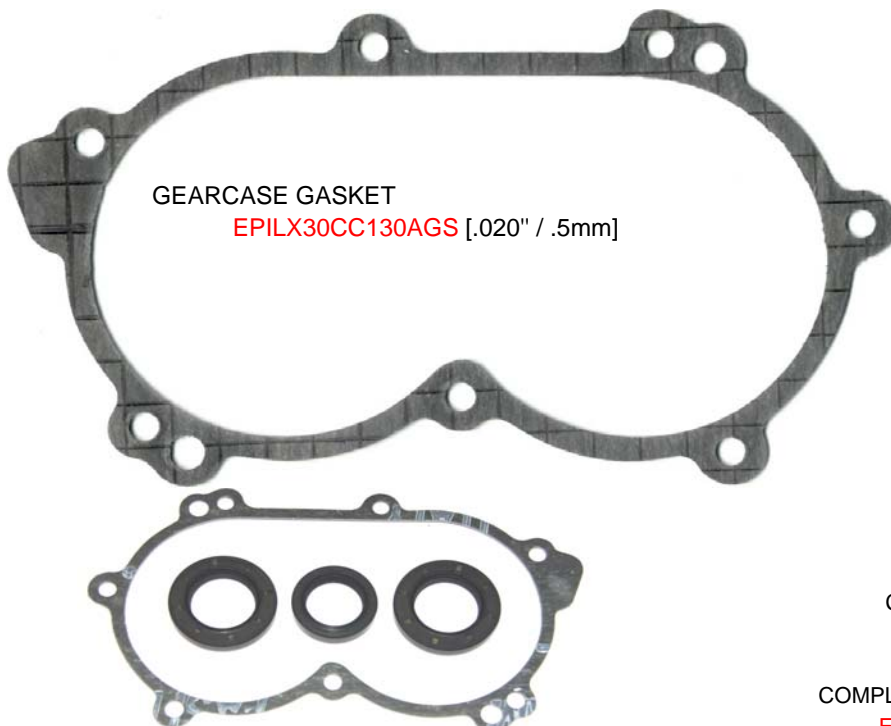
EPILX30CH016 inner

EPILX30CH009 stud



- EPGILX30CH011 [.00'3" / .08mm]
- EPGILX30CH011A [.005" / .12mm]
- EPGILX30CH011C [.010" / .25mm]
- EPGILX30CH011D [.015" / .38mm]
- EPGILX30CH011F [.020" / .5mm]

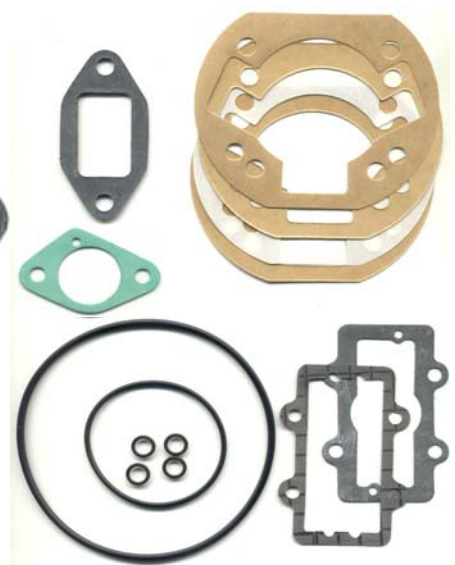
O RING KIT EPILX30CH009KIT



GEARCASE GASKET

EPILX30CC130AGS [.020" / .5mm]

CRANKCASE GASKET & SEAL SET EPILX30CH009KIT



CYLINDER GASKET SET EPILX30CH009KIT

COMPLETE GASKET & SEAL SET INCLUDES

- EPILX30CH009KIT
- EPILX30CH009KIT

TOOLS



X30 CLUTCH PULLER
TLI173X30



ITALSPORT PISTON STOPPER
TL012RIT



LATE X30 & KF CLUTCH PULLER
TLI173X30A



R/R PISTON STOPPER
TL012RR



T01

TL003A



T01BP

TL003A1



PISTON CLIP FITTING TOOL

TLI182

TO SUIT 14mm PINS

TLI183

TO SUIT 15mm PINS

ROTAX 125



T53

EXHAUST SPRING REMOVAL TOOL

TL012STOOL