

# EPIKA--ENGINE PART

## 100 IAME Air Cooled

EPIKA

**GENERAL  
SECTION**

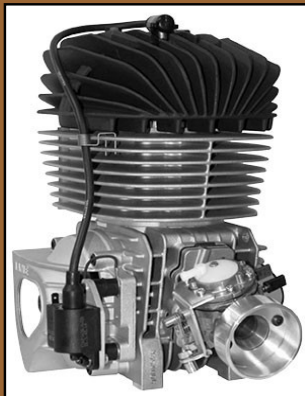
CH

**BRAND  
OR**

000

**PART  
NUMBER**

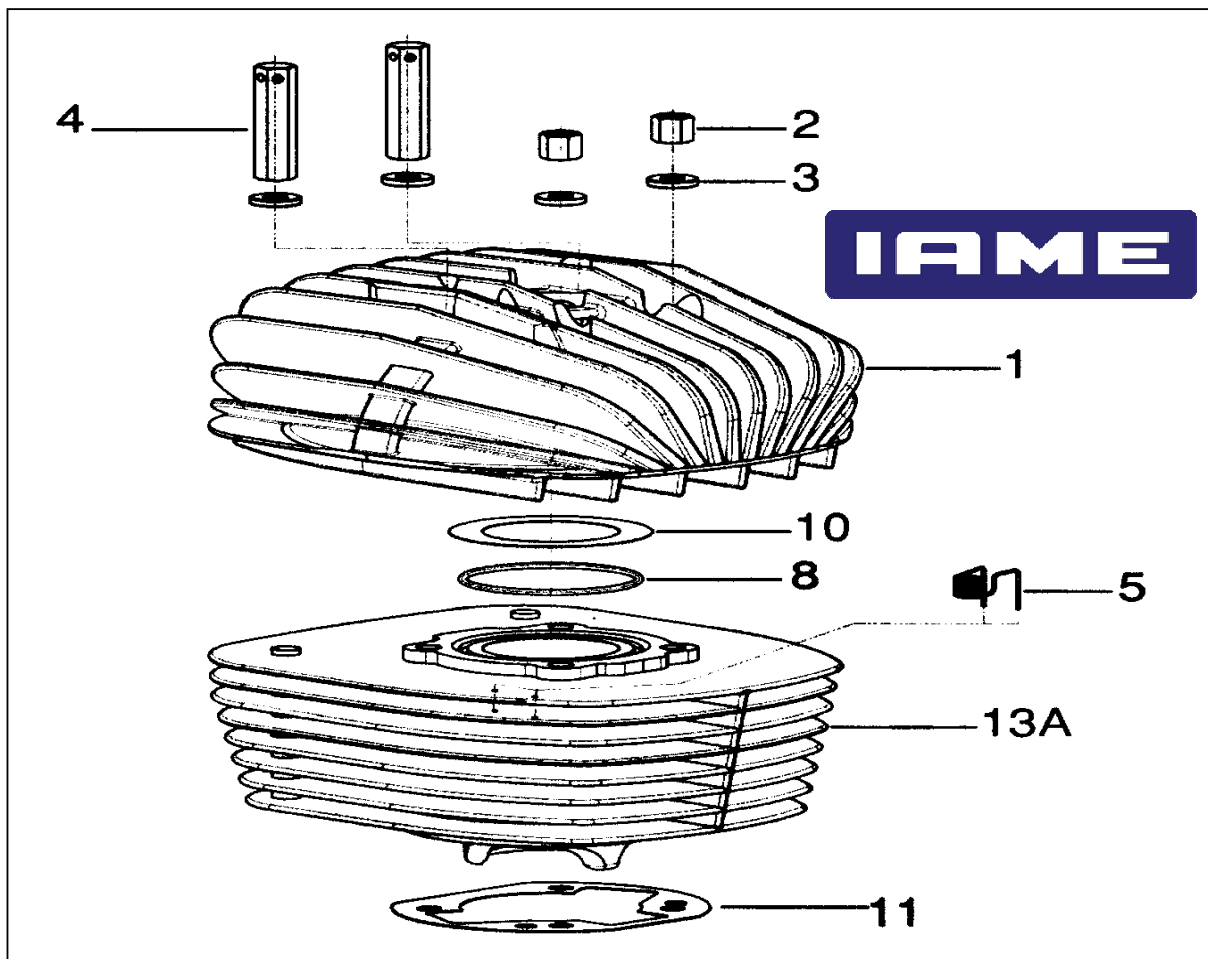
### DESCRIPTION



**KA100 REED JET**

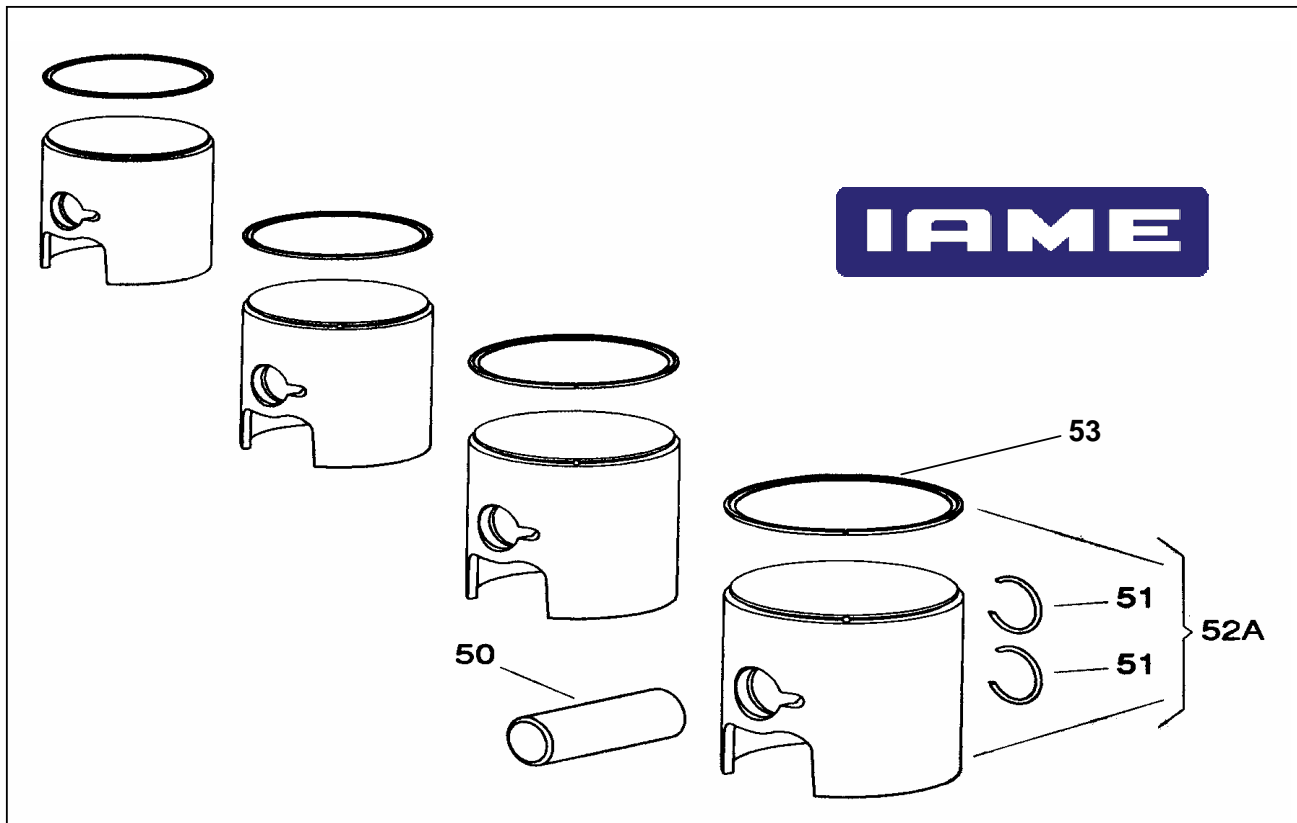
Airbox	Page EPIKA-5
Airbox Rubber	Page EPIKA-5
Bearing Piston [ Little End ]	Page EPIKA-4
Bearing Clutch	Page EPIKA-7
Bearing Main	Page EPIKA-4
Bush 11 Tooth Sprocket	Page EPIKA-7
Battery,Charger & Mounting	Page-EPIKA-9
Carby Parts	Page EPIKA-7
Clutch Parts	Page EPIKA-7
Crankcase & Parts	Page EPIKA-9
Crankshaft & Parts	Page EPIKA-9
Drive Sprockets	Page EPIKA-7
Exhaust Muffler & Springs	Page EPIKA-8
Gaskets	Page EPIKA-5-8
Ignition Parts	Page EPIKA-9
Piston & Parts	Page EPIKA-3
Tools	Page EPIKA-10

# HEAD & CYLINDER KA100 REED JET



ENGINE PARTS PARILLA	F I G	IAME 100 KA100 Reed Jet AGS part number	IAME 100 KA100 Reed Jet Genuine part number
<b>CYLINDER PARTS</b>			
CYLINDER HEAD REED JET AUS	1	EPILKACH001	IAA-401100
NUT CYLINDER HEAD	2	EPILKACH002	10350
WASHER CYLINDER HEAD	3	EPILKACH003	10635
IAME SEALING NUT	4	EPILKACH004	10351
HIGH TENSION LEAD MOUNTING SPRING	5	EPILKACH005	10785
HEAD SEAL O RING	8	EPILKACH008	D-37049
HEAD GASKET HEAD COPPER 0.05mm	10	EPILKACH010.05	1AA-40200-0.05
HEAD GASKET HEAD COPPER 0.10mm	10	EPILKACH010.10	IAA-40200-0.10
HEAD GASKET HEAD COPPER 0.15mm	10	EPILKACH010.15	IAA-40200-0.15
GASKET CYL BASE AGS N/GEN .0025/.08MM	11	EPILX30CH011	
GASKET CYL BASE GENUINE 0.002"/0.05mm	11	EPILX30CH011/G	EBP-125047
GASKET CYL BASE AGS N/GEN .005/.12MM	11	EPILX30CH011A	
GASKET CYL BASE GENUINE 0.008"/0.1mm	11	EPILX30CH011A/G	EBP-125046
GASKET CYL BASE AGS GEN .008/.2MM	11	EPILX30CH011B	
GASKET CYL BASE AGS N/GEN .010/.25MM	11	EPILX30CH011C	
GASKET CYL BASE GENUINE 0.016"/0.4mm	11	EPILX30CH011C/G	EBP-125045
GASKET CYL BASE AGS N/GEN .015/.38MM	11	EPILX30CH011D	
GASKET CYL BASE GENUINE 0.20"/0.5mm	11	EPILX30CH011E/G	EBP-125048
GASKET CYL BASE AGS N/GEN 0.20"/0.5mm	11	EPILX30CH011E	
GASKET & O RING KIT		EPILKACH009	
CYLINDER/BARREL COMPLETE	13A	EPILKACH013A	IAA-01000
<b>Note</b>			<b>Note</b>

# PISTON & PARTS KA100 REED JET



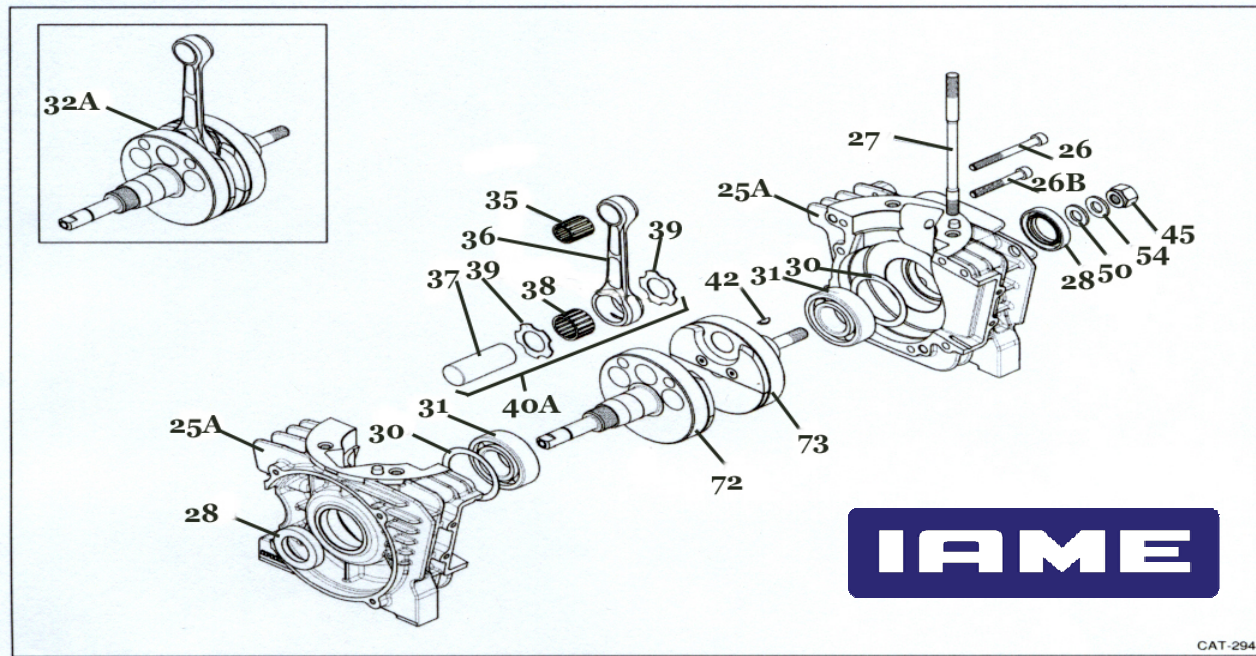
ENGINE PARTS PARILLA	FIG	IAME 100 KA100 Reed Jet AGS part number	IAME 100 KA100 Reed Jet Genuine part number
<b>PISTON &amp; PARTS</b>			
PISTON PIN 14 X 39mm	50	EPGLP004KA	B-10321-R
CIRCLIP EARLESS	51	EPILCH023	10341-A
PISTON 48.20mm	52A	EPILKACH052.20	EBP-85050-CV
PISTON 48.22mm	52A	EPILKACH052.22	EBP-85055-CV
PISTON 48.24mm	52A	EPILKACH052.24	EBP-85067-CV
PISTON 48.26mm	52A	EPILKACH052.26	EBP-85060-CV
PISTON 48.28mm	52A	EPILKACH052.28	EBP-85063-CV
PISTON 48.30mm	52A	EPILKACH052.30	EBP-85065-CV
PISTON 48.32mm	52A	EPILKACH052.32	EBP-85070-CV
PISTON 48.34mm	52A	EPILKACH052.34	EBP-85072-CV
PISTON 48.36mm	52A	EPILKACH052.36	EBP-85075-CV
PISTON 48.40mm	52A	EPILKACH052.40	EBP-85080-CV
PISTON 48.42mm	52A	EPILKACH052.42	EBP-85085-CV
PISTON 48.44mm	52A	EPILKACH052.44	EBP-85087-CV
PISTON 48.50mm	52A	EPILKACH052.50	EBP-85095-CV
RING 48.20	53	EPILKACH053.20	
RING 48.26	53	EPILKACH053.26	
RING 48.30	53	EPILKACH053.30	
RING 48.36	53	EPILKACH053.36	
RING 48.40	53	EPILKACH053.40	

Note

NEW ENGINE BORE/PISTON CLEARANCE 0.0035"

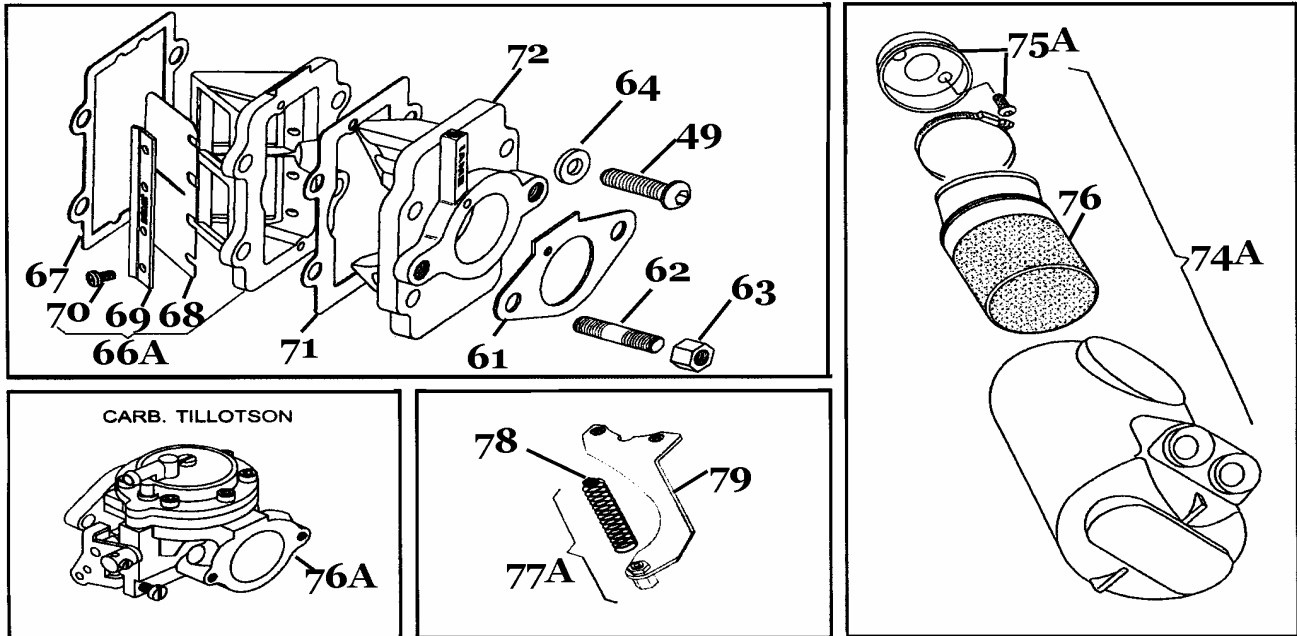
Note

# C/SHAFT & C/CASE KA100 REED JET



ENGINE PARTS PARILLA	F I G	IAME 100 KA100 Reed Jet AGS part number	IAME 100 KA100 Reed Jet Genuine part number
<b>C/CASE &amp; C/SHAFT PARTS</b>			
CRANKCASE REED JET AUST.	25A	EPILKACC025A	IAB-01041AU
CAP HEAD BOLT 6 X 55mm	26	NBC655	00051-K
CAP HEAD BOLT 6 X 45mm	26B	NBC645	00049-K
STUD CYLINDER 128mm	27	EPILKACC027	E-38345
SEAL CRANKSHAFT IGNITION & DRIVE SIDES	28	EPG069X30A	X30125425A
STEEL SHIM MAIN BEARING 0.15mm	30	EPILKACC030	30404
STEEL SHIM MAIN BEARING 0.10mm	30	EPILX30CC030	30407
BEARING MAIN 6205 TN9/C4	31	EPILX30CC030A	35396-F
CRANKSHAFT ASSY REED JET AUST.	32A	EPILKACS032A	IAC-00100
BEARING LITTLE END ROLLER	35	EPGLE060AGS	E-10440
CONROD ASSY BARE 102mm	36	EPILKACS036	IFC-50100
CRANK BIG END PIN 20 X 47mm	37	EPGBEP35647MM/KA	IAC-40140
BEARING BIG END	38	EPGBE354AGS	X30125431
WASHER THRUST BIG END BEARING	39	EPGBS004X30	X30125436
CONROD ASSY COMPLETE 102mm / 47mm PIN	40A	EPILKACS040A	IFC-50100-47
KEY IGNITION AND SPROCKET	42	EPILCS042	10375
NUT 10 X 1mm	45	EPILCS045	00382
WASHER 12mm	50	EPILCS050	00305-K
WASHER 10.5 X 18 X 0.8mm	54	EPILX30CC084	00342-K
CRANKSHAFT HALF DRIVE SIDE	72	EPILKACS072	GBP-125386
CRANKSHAFT HALF IGN SIDE	73	EPILKACS073	IAC-30141
<b>Note</b>		<b>Note</b>	

# CLUTCH & RING GEAR KA100 REED JET



ENGINE PARTS PARILLA	F I G	IAME 100 KA100 Reed Jet AGS part number	IAME 100 KA100 Reed Jet Genuine part number
<b>CARB &amp; REED PARTS</b>			
CAP HEAD BOLT 6 X 25mm	49	NBC625	00045-K
GASKET CARBURETOR MOUNT GENUINE	61	EPILKACA001	10360-A
GASKET CARBURETOR MOUNT NON/GENUINE	61	EPG022/KA	
STUD CARBURETOR 6 X 25mm	62	EPILCA062	10525
NUT KIT CARBURETOR MOUNT 6mm	63	EPILKA002	00351-K
WASHER 6mm	64		00302-K
REED BLOCK COMPLETE WITH REEDS	66A	EPG004IAME/L	F-11830B-C
GASKET INNER REED BLOCK GENUINE	67	EPG0201X30/G	X30125810
GASKET INNER REED BLOCK NON GENUINE	67	EPG0201X30	
REED SET [CARBON FIBRE WITH IAME MARK ]	68	EPG001AX30CARB	F-11842-C
PLATE REEDS	69	EPILX30CA172	F11845A
SCREWS REEDS 3 X 5mm	70	EPG009	10380-K
GASKET OUTER REED BLOCK GENUINE	71	EPG0211X30/G	X30125809
GASKET OUTER REED BLOCK NON GENUINE	71	EPG0211X30	
INLET MANIFOLD	72	EPILX30176	X30125581A
AIRBOX KG GENUINE [BLUE]	74A	CAAB0483/KA	IAG-90000
AIRBOX KG GENUINE [BLUE] GUARD	74W	CAAB083/KA/G	IAG-90000-W
AIRBOX ADAPTEVOR	75A	CAAA046	10771-C
AIR FILTER IAME	76	CAAB048F1AKAIAME	10751-A
CARBURETOR ASSY HL398A 23mm	76A	CATI303/KA	A-10916
BRACKET KIT CABLE CARBURETOR	77A	CATI140/KA	B-35520-C
SPRING RETURN CABLE NON GENUINE	78	CACS041TILLO	
	79		

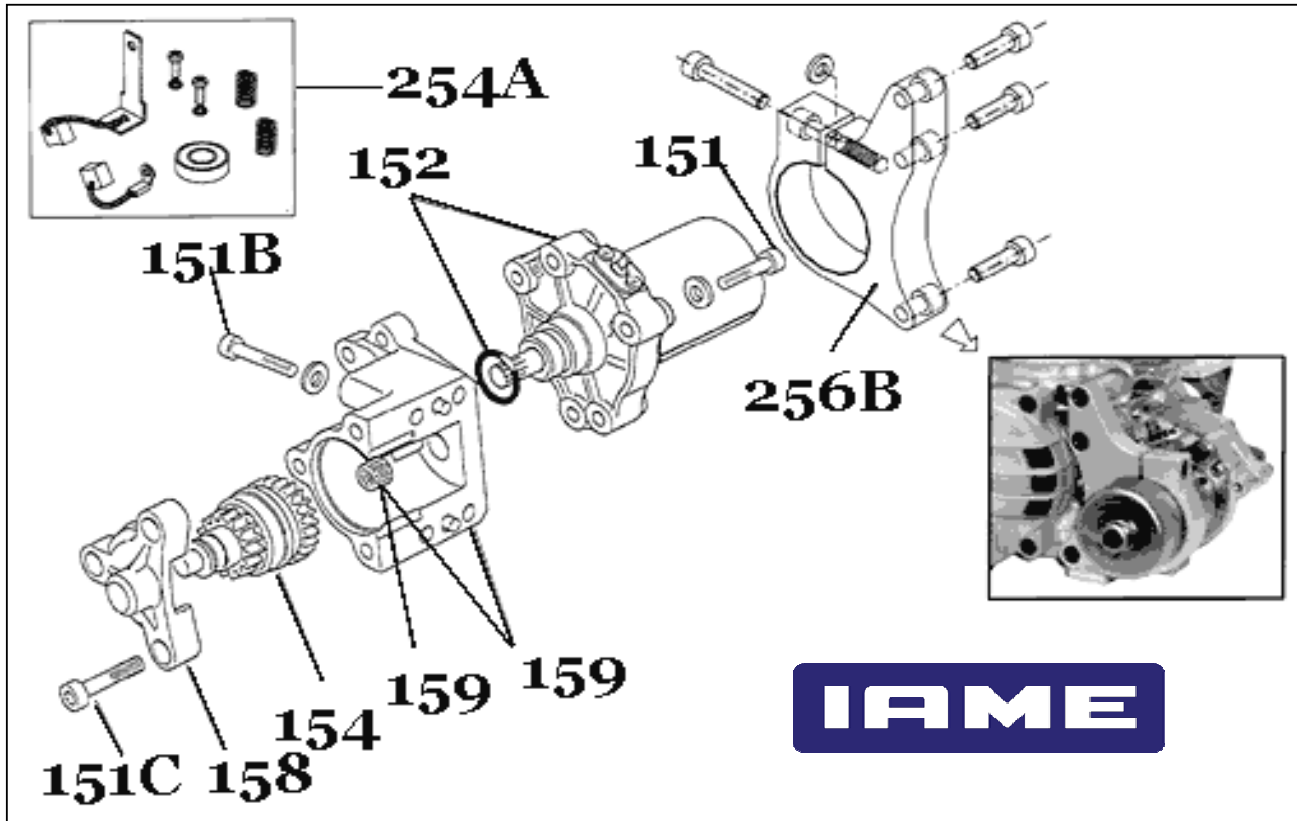
Note

No 61 GASKET BETWEEN CARBY & MANIFOLD IS NON TECH ITEM

No 74A AIRBOX CAN BE SILVER OR BLUE [KG]

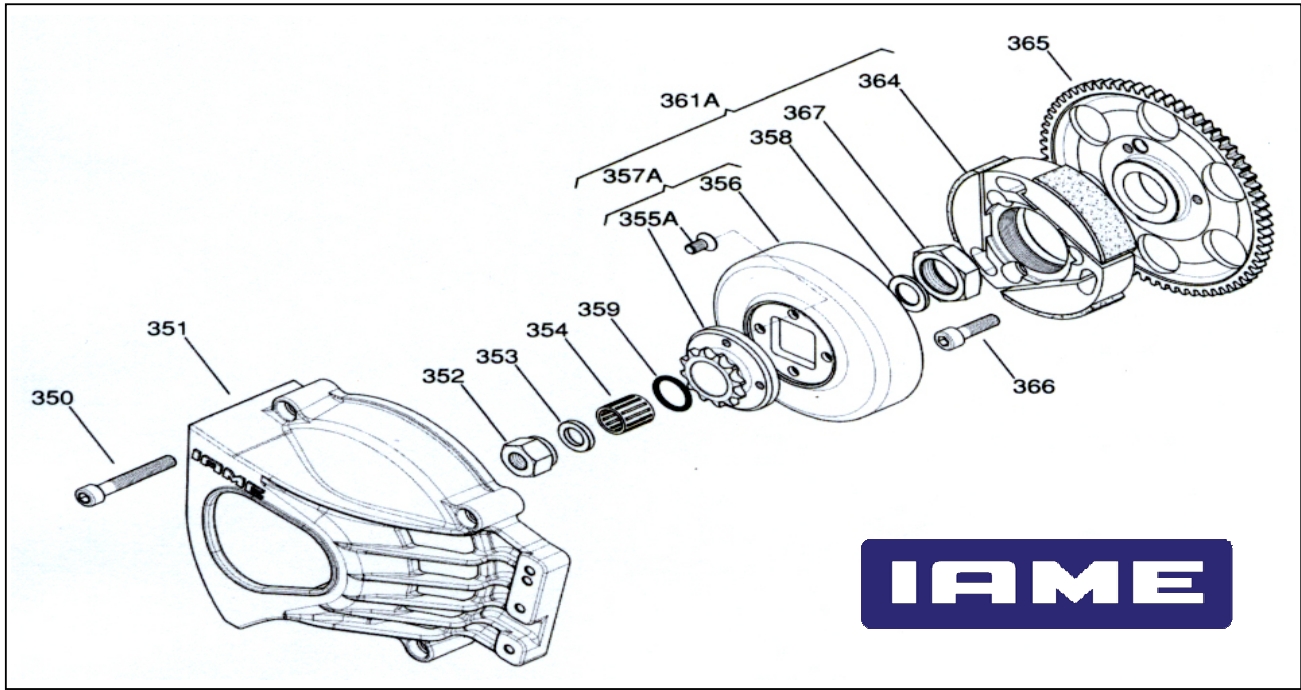
Note

# STARTER & PARTS KA100 REED JET



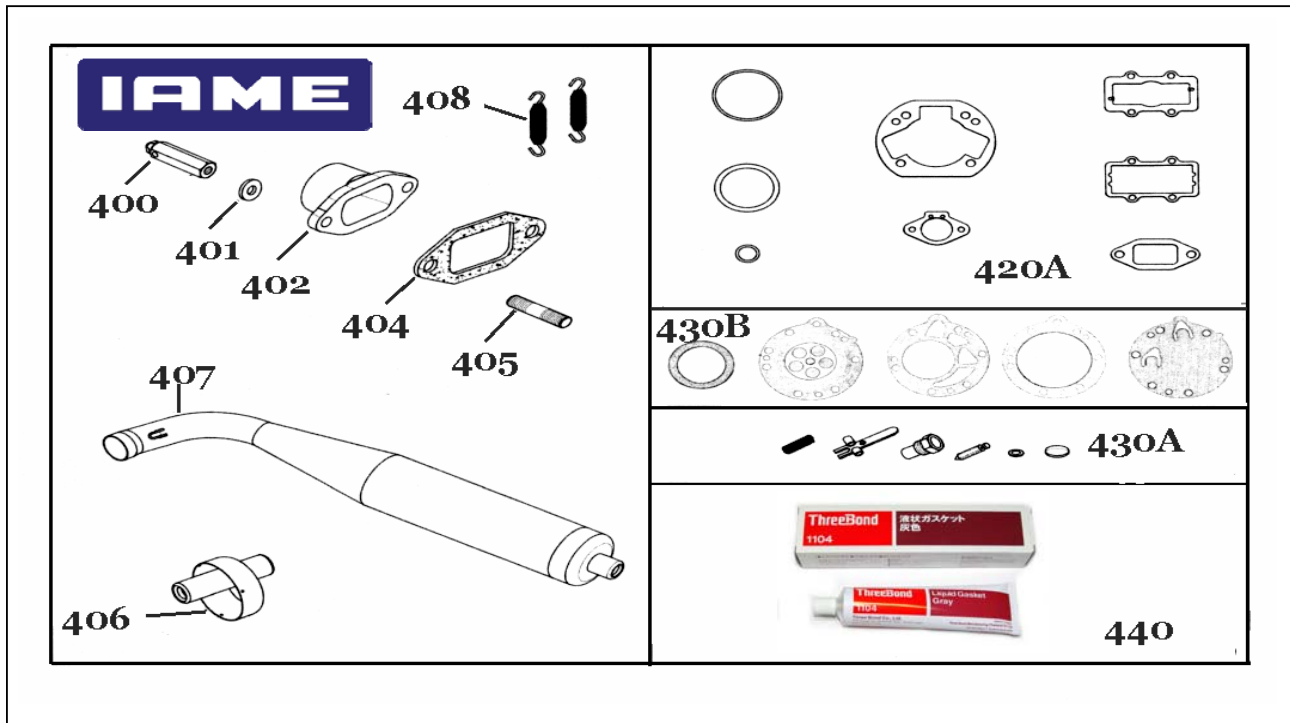
ENGINE PARTS PARILLA	F I G	IAME 100 KA100 Reed Jet AGS part number	IAME 100 KA100 Reed Jet Genuine part number
<b>STARTER &amp; PARTS</b>			
CAP HEAD BOLT 6 X 35mm	151	NBC635	00047-K
CAP HEAD BOLT 6 X 45mm	151B	NBC645	00049-K
CAP HEAD BOLT 6 X 25mm	151C	NBC625	00045-K
STARTER MOTOR ASSY GENUINE	152	EPILIS152	A-120850
STARTER MOTOR ASSY NON/GENUINE ITAL	152	EPG/STARTER/IT	
STARTER MOTOR ASSY NON/GENUINE R/R	152	EPG/STARTER/ROT	
ROLLER BEARING STARTER HOUSING	153	EPILIS153	A-60865
BENDIX DRIVE STARTER	154	EPILKAIS154	A-120856
SUPPORT HOUSING OUTER	158	EPILIS158	A-60870
SUPPORT HOUSING MAIN WITH BEARING	159	EPILKAIS159	A-120860-C
STARTER BRUSH KIT GENUINE	254A	EPG/START/KIT	A-60852A-C
STARTER INNER SUPPORT	256B	EPILIS256B	A-125863-C
<b>Note</b>			<b>Note</b>

# CLUTCH & RING GEAR KA100 REED JET



ENGINE PARTS PARILLA	F I G	IAME 100 KA100 Reed Jet AGS part number	IAME 100 KA100 Reed Jet Genuine part number
<b>CLUTCH PARTS</b>			
CAP HEAD BOLT 6 X 30mm	350	NBC630	00046-K
CHAIN GUARD CLUTCH	351	EPILCL097	A-60595B
NUT STARTER/DRIVE	352	EPILCL119	D-75570
WASHER INTERNAL THRUST 1.8mm	353	EPILCL115	D-75573
BEARING ROLLER CLUTCH	354	EPILKACL354	B-55598
SPROCKET WITH SCREWS 10T	355A	TR041X3010	X30125554-C
SPROCKET WITH SCREWS 11T	355A	TR041X3011	X30125555-C
SPROCKET WITH SCREWS 12T	355A	TR041X3012	X30125556-C
CLUTCH DRUM BARE	356	EPILKACL356	X30125550A
CLUTCH DRUM WITH SPROCKET 10T	357A	EPILKACL357A10	X30125550A-C10
CLUTCH DRUM WITH SPROCKET 11T	357A	EPILKACL357A11	X30125550A-C11
CLUTCH DRUM WITH SPROCKET 12T	357A	EPILKACL357A12	X30125550A-C12
WASHER INTERNAL	358	EPILCL116	D-75565
O RING CLUTCH BEARING 1.75mm X 12mm O.D.	359	EPILKACL359	A-60565
CLUTCH COMPLETE 10T	361A	EPILKACL361A10	X30125841-C10
CLUTCH COMPLETE 11T	361A	EPILKACL361A11	X30125841-C11
CLUTCH COMPLETE 12T	361A	EPILKACL361A12	X30125841-C12
CLUTCH LINING HUB	364	EPILX30CL360B	X30125841
STARTER RING GEAR KA	365	EPILKACL365	IAI-30000
CAP HEAD BOLT 6 X 16mm TECNIC 150	366	NBC6 X 16mm	00042T-K
NUT LOCKING RING GEAR	367	EPILX30CL359A	IFF-21300
<b>Note</b>		<b>Note</b>	

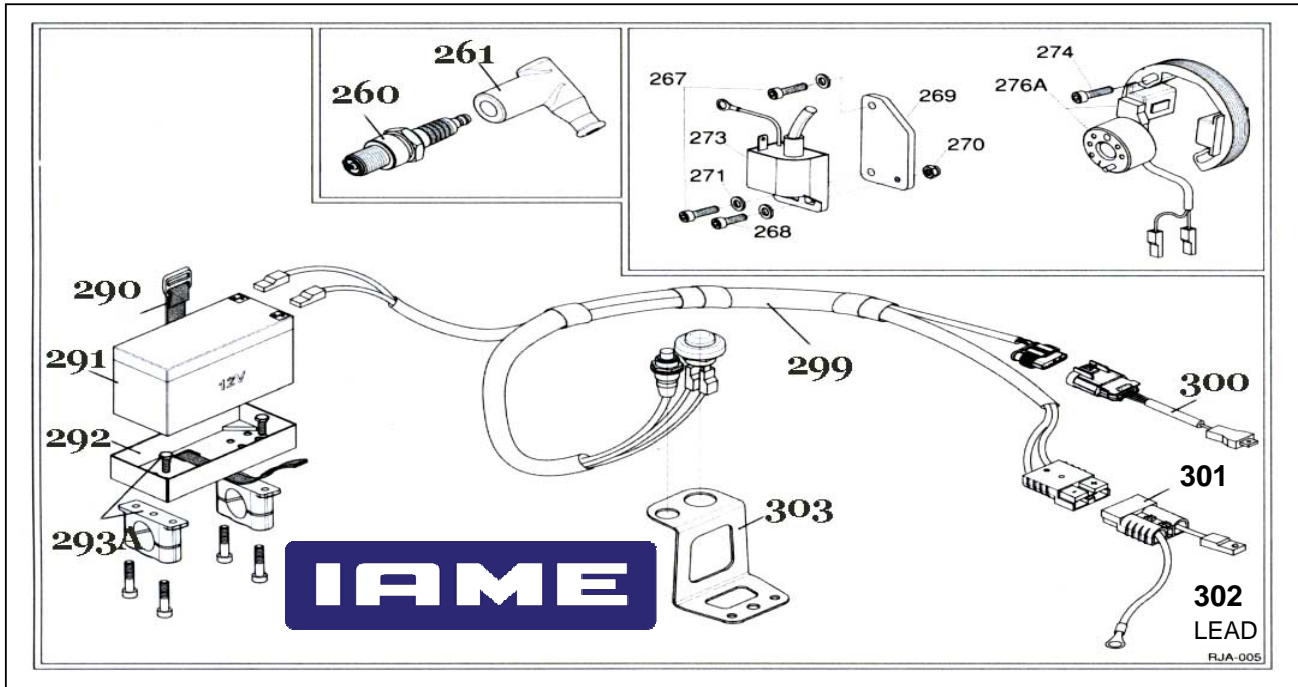
# EXHAUST & GASKETS KA100 REED JET



ENGINE PARTS PARILLA	F I G	IAME 100 KA100 Reed Jet AGS part number	IAME 100 KA100 Reed Jet Genuine part number
<b>EXHAUST &amp; GASKETS</b>			
NUT EXHAUST WITH SPRING HOLE	400	EPIKAEX001	IAA-20300
WASHER 8mm	401	EPY611	00303-K
EXHAUST MANIFOLD KA100 OPEN	402	EPILKAEX002	IAH-02000
EXHAUST MANIFOLD KA100 19mm RESTRICT	402	EPILKAEX003	IAH-02010
GASKET EXHAUST GENUINE	404	EPG029A	B-75360
GASKET EXHAUST NON/GENUINE	404	EPG029	
STUD EXHAUST 8 X 36mm	405	EPILKAEX404	B-75355
END CAP MUFFLER	406	EPE007KA	10721-A
EXHAUST MUFFLER REED JET AUST.	407	EPE006KA	IAH-04000
SPRING EXHAUST	408	EPE030KA	10785
GASKET SET	420A	EPILKACH009	IAZ-125992
CARBURETOR DIAPHRAM KIT [DG-7HL]	430A	CATI142A1	DG-7HL
CARBURETOR O/HAUL KIT [RK-127HL]	430A	CATI142A1/C	RK-127HL
GASKET SEALANT	440	LUGS042	1104
<b>Note</b>		<b>Note</b>	
No 404 GASKET CAN BE BLUE OR GREY [GENUINE]			



# IGNITION & ELECTRICAL KA100 REED JET



ENGINE PARTS PARILLA	F I G	IAME 100 KA100 Reed Jet AGS part number	IAME 100 KA100 Reed Jet Genuine part number
<b>IGN &amp; ELECTRICAL</b>			
SPARK PLUG B9EGV	260	SP003	10561-A
SPARK PLUG B9.5EGV	260	SP004	
SPARK PLUG B10EGV	260	SP005	
SPARK PLUG CAP PVL [X30]	261	SP014B	10544
CAP HEAD BOLT 5 X 20mm	267	NBC520	00032-K
CAP HEAD BOLT 5 X 16mm	268	NBC516	00031-K
BRACKET COIL	269	EPIKAIS269	A-61510
NUT 6mm LOCKING	270	NBNL06	00378-K
WASHER 5mm	271		00301-K
VIBRATION DAMPERS FOR COIL	272	EPGC045	A-61520
COIL SELECTRA [BLACK]	273	EPIKAIS273	A-61955
CAP HEAD BOLT 5 X 25mm	274	NBC525	00034-K
STATOR IGNITION 2 POLES 14	276A	EPIKAIS276A	A-61951A
STRAP BATTERY HOLD DOWN	290	EPILIS236	A-60904A
BATTERY	291	EPGBATTERY/YUASA	X3012900
BATTERY CARRIER BASE & STRAP	292	EPILIS234	X30125905
CLAMP CHASSIS UNIVERSAL	293A	EPG/WA911	A-60906A-C
CLAMP CHASSIS 30m	293A	EPG/WA911/30	A-60907A-C
CLAMP CHASSIS 32m	293A	EPG/WA911/32	A60908A-C
CABLE STARTER	298	EPIKAIS298	IFE-05401B
WIRING HARNESS 14	299	EPIKAIS299	IFE-05003A
ADAPTOR IGNITION 2 POLES	300	EPIKAIS300	IAE-06100
STARTER LEAD WITH RED PLUG	301	EPIKKAIS301	
LEAD SINGLE TO STARTER	302	EPILIS152LEAD	
BRACKET SWITCHES	303	EPIKKAIS303	IFI-70000
<b>Note</b>			<b>Note</b>
No 260 SPARK PLUG IS A NON TECH ITEM			

IGN. ROTOR GAP TOOL KA TLI174KA/IGN

# TOOLS



IAME RL , X30 and KA R/GEAR LOCK TOOL  
TLI174KA



CLUTCH or RING GEAR PULLER  
TLI173



LATE X30 & KA CLUTCH PULLER  
TLI173X30A



R/R PISTON STOPPER  
TL012RR



DIAL INDICATOR KIT to SET IGNITION  
TL002DIAL



T01

CHAIN BREAKER  
TL003A



T81BP

REPLACEMENT BOLT  
TL003A1



PISTON CLIP FITTING TOOL  
TLI182  
TO SUIT 14mm PINS



T53

EXHAUST SPRING REMOVAL TOOL  
TL012STOOL