

EPR--ENGINE

ROTAX FR125 MAX

EPR

**ROTAX
SECTION**

AA

**BRAND
OR
DESCRIPTION**

000

**PART
NUMBER**



Airbox
Airbox Rubber
Air Filter
Bearing Piston [Little End]
Bearing Clutch
Bearing Main
Bush 11 Tooth Sprocket
Battery,Charger & Mounting
Carby Parts
Clutch Parts
Crankcase & Parts
Crankshaft & Parts
Drive Sprockets
Exhaust Muffler & Spring
Gears & Parts
Ignition Parts
Italsport parts non Genuin
Mounting & Hardware
Piston & Parts
Power Valve
Radiator

Page EPR-19
 Page EPR-19
 Page EPR-19
 Page EPR-10
 Page EPR-15
 Page EPR-10
 Page EPR-15
 Page EPR -16-17-18
 Page EPR-12-13
 Page EPR-15
 Page EPR-7-8
 Page EPR-9-10-11
 Page EPR-15
 Page EPR-14
 Page EPR-10-11
 Page EPR-16-17-18
 Page EPR-2
 Page EPR-21
 Page EPR-10-11
 Page EPR-5
 Page EPR-20

NEW PRODUCTS ROTAX 125 MAX

NON GENUINE ROTAX PARTS HAS BEEN RELEASED BY ITALSPORT

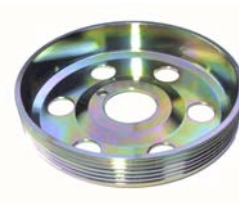
[CHECK AKA BEFORE PARTS ARE USED IN AKA COMPETION]



Part Number **EPRCL634907B**



Part Number **EPRCL659152A**



ROTAX 125 MAX NON GENUINE STARTER RING GEAR & CLUTCH DRUM
CLUTCH SHOES [PRD] **EPPR0083**



PISTON RING Part Number **EPRCS215545A**

PISTON PIN Part Number **EPRCS216135A**



ITALSPORT HAS PRODUCED A
PISTON TO REPLACE THE GENUINE
PART AT A MUCH REDUCED PRICE

53.97 **EPRCS295485A**

53.98 **ERPCS295486A**

53.99 **EPRCS295487A**

[Ring not included]

Rotax 125 & Leopard 125
ITALSPORT non Genuine Starter
fits without any modifications
EPRIS294800B



SAME AS GENUINE YAMAHA STARTER

STARTER **EPY960**

STARTER MOTOR REPAIR KITS

Genuine [MITSUBA] part number **EPISKIT**

Brushes
7.4mm X 5.8mm

Non Genuine [ITALSPORT] part number **EPISKIT ITAL**

5.8mm X 5.8mm



New ROTAX Engine Kit

Includes

- 1- Engine complete . ENG FM125MAX
- 1- Carburetor .
- 1- Airbox , filter & mounting bracket .
- 1- Exhaust muffler complete & springs .
- 1- Electrical system complete includes wiring looms & switches .
- 1- Battery , carrier & charger .
- 1- Radiator , hoses , clips & all brackets to mount onto engine on the RH side kart .
- 1- Fuel line , fuel filter , throttle cable & chain guard strip .
- 1-Rotax stickers & Woven badge

Additional parts required to fit to kart .

AX6 Arrow kart up to AX8 Rotax kart & AMAX kart .

- 1- Engine mount assy. GAM063B [DPE SLIDING]
- 1- Exhaust bracket kit . EPREXKES6B
- 1- Ignition panel on steering wheel . EPRISIP

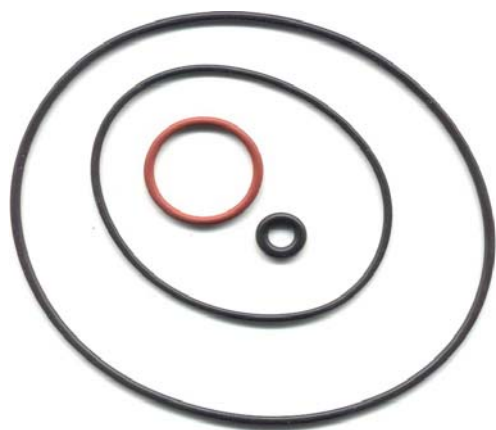
AX8 Rotax kart & AMAX kart .

- 1- Engine mount assy. GAM063B [DPE SLIDING]
- 1- If AX8 nassa panel is used the switches fit into to top of panel .
- 1- If any other nassa panel used you require ign. Panel . EPRISIP

All other karts

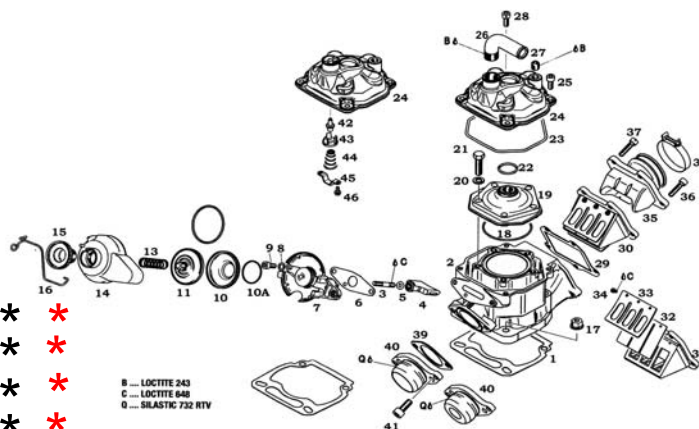
- 1- Engine mount assy. GAM063B [DPE SLIDING]
- 1- Exhaust bracket kit . EPREXKES6B
- 1- Chassis spigot bracket . EPREXBRWC
- 1- Ignition panel on steering wheel . EPRISIP

Rotax 125 O Ring/Gasket Sets



CYLINDER O RING SET **EPRCP650482A3**

CONTENTS	Part Number
WATER COVER O RING	EPRCH250280
COMBUSTION CHAMBER O RING	EPRCP250160
SPARK PLUG SEALING O RING	EPRCH430782
POWER VALVE O RING	EPRCP230260



CONTENTS	Part Number
WATER COVER O RING	EPRCP250160
COMBUSTION CHAMBER O RING	EPRCH250280
SPARK PLUG SEALING O RING	EPRCH430782
POWER VALVE O RING	EPRCP230260

* *
 * *
 * *
 * *

CYLINDER BASE GASKET

GASKET COMES IN DIFFERENT THICKNESS'S

0.003"/.075mm	EPRCP650478A	[GREEN]	*
0.005"/.125mm	EPRCP650479A	N/ GEN.	*
0.012"/.3mm	EPRCP650480A	NON GEN.	*
0.020"/.5mm	EPRCP650481A	NON GEN.	*
0.032"/.8mm	EPRCP650482A	NON GEN.	*

POWER VALVE GASKET	EPRCP250231A	*
EXHAUST GASKET	EPRCP250271A	*
REED BLOCK GASKETS		
0.032"/0.8mm	EPRCP250521A	*
0.042"/1.04mm	EPRCP250521B	
0.08"/2.0mm	EPRCP250521C	

* DENOTES [Complete Kit Contains These Parts]

* DENOTES [O RING Kit Contains These Parts]



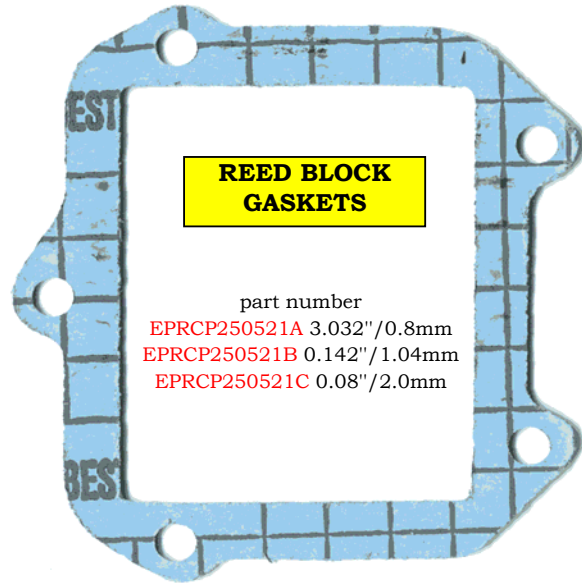
COMPLETE ENGINE O RING/GASKET SET **EPRCP650482A4**

ROTAX 125 GASKETS



**EXHAUST
FLANGE
GASKET**

part number **EPRCP250271A**



**REED BLOCK
GASKETS**

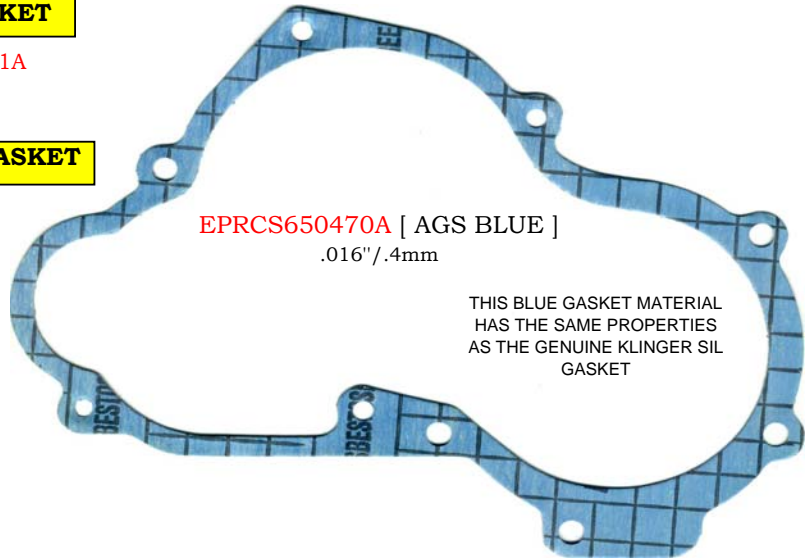
part number
EPRCP250521A 3.032"/0.8mm
EPRCP250521B 0.142"/1.04mm
EPRCP250521C 0.08"/2.0mm



POWER VALVE HOUSING GASKET

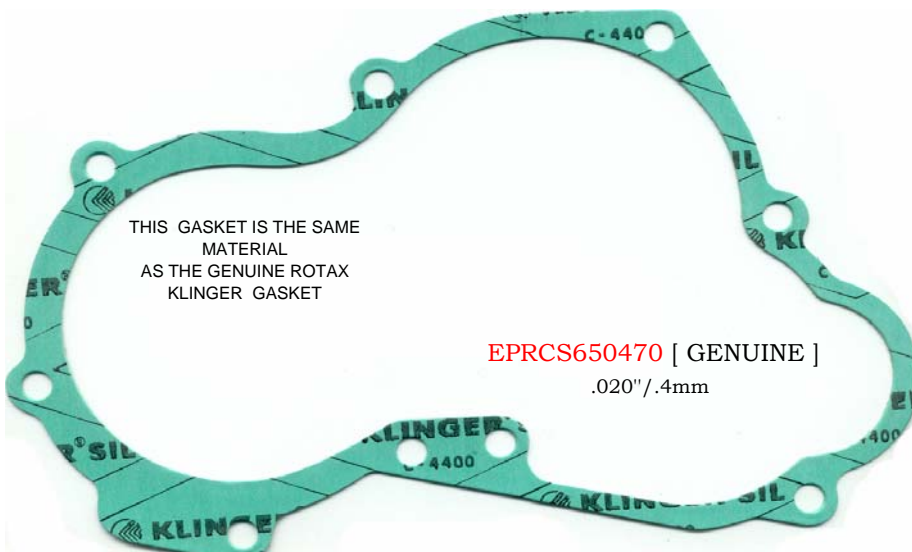
part number **EPRCP250231A**

GEARBOX COVER GASKET



EPRCS650470A [AGS BLUE]
.016"/.4mm

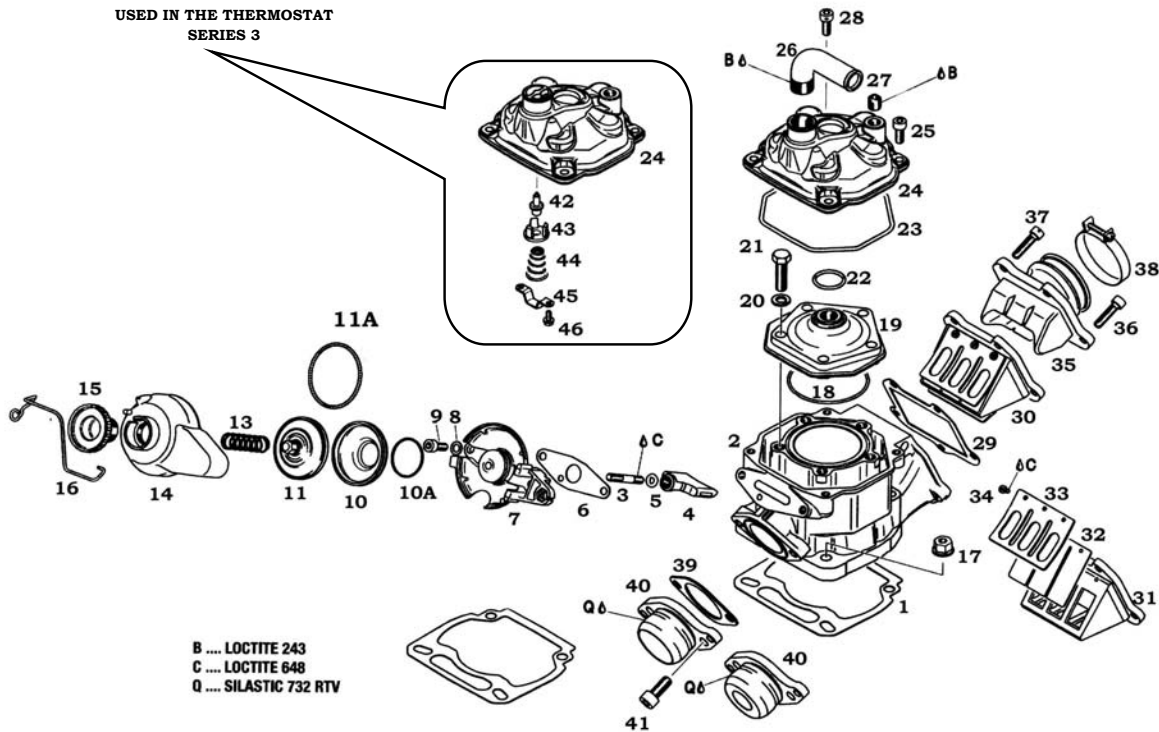
THIS BLUE GASKET MATERIAL
HAS THE SAME PROPERTIES
AS THE GENUINE KLINGER SIL
GASKET



THIS GASKET IS THE SAME
MATERIAL
AS THE GENUINE ROTAX
KLINGER GASKET

EPRCS650470 [GENUINE]
.020"/.4mm

ROTAX 125 THERMOSTAT



ENGINE PARTS ROTAX FR125 MAX	F I G	ROTAX FR12 MAX AGS P/NUMBER
CYLINDER HEAD PARTS		
BASE GASKET .003"/.075mm	1	EPRCP650478A
BASE GASKET .005"/.125mm	1	EPRCP650479A
BASE GASKET .011"/.27mm	1	EPRCP650480
BASE GASKET .012"/.30mm	1	EPRCP650480A
BASE GASKET .016"/.4mm	1	EPRCP650481
BASE GASKET .017"/.45mm	1	EPRCP650481A
BASE GASKET .032"/.8mm	1	EPRCP650482
BASE SPACER .032"/.8mm	1	EPRCP650482A
CYLINDER ASSEMBLY	2	EPRCP223997
CYLINDER ASSEMBLY junior max	2	EPRCP223997A
EXHAUST VALVE STUD 6X30	3	EPRCP941145
EXHAUST POWER VALVE SLIDE	4	EPRCP253725
EXHAUST STUD O RING 6X3MM	5	EPRCP230260
POWER VALVE HOUSING GASK.	6	EPRCP250231
POWER VALVE HOUSING GASK. AGS	6	EPRCP250231A
POWER VALVE ROD HOUSING	7	EPRCP253380
VALVE HOUSING SPRING WASH.	8	EPRCP845020
POWER VALVE BELLOWS	10	EPRCP260728
POWER VALVE BELLOWS SPRING LOWER	10A	EPRCP239043A small
POWER VALVE BELLOWS SPRING UPPER	11A	EPRCP239043B large
EXHAUST POWER VALVE PISTON	11	EPRCP253255
POWER VALVE BELLOWS SPRING	12	EPRCP239043
POWER VALVE COMP.SPRING	13	EPRCP239942
POWER VALVE BLACK COVER	14	EPRCP210331
POWER VALVE ADJUST RED SCR	15	EPRCP241220
POWER VALVE COVER CLIP	16	EPRCP239030
CYLINDER STUD NUT	17	EPRCP242586
CYLINDER O RING 64MM FR125	18	EPRCP250160

ENGINE PARTS ROTAX FR125 MAX	F I G	ROTAX FR12 MAX AGS P/NUMBER
CYLINDER HEAD PARTS		
HEAD COMP INSERT	19	EPRCH223384
COMP INSERT O RING 23.3X2.4	22	EPRCH430782
COVER WATER O RING 105MM	23	EPRCH250280
COVER WATER HEAD	24	EPRCH613106
COVER WATER HEAD THERMO	24	EPRCH613106T
COVER PLUG SCREW	26	EPRCH240480
COVER ELBOW ALLOY	27	EPRCH922620
GASKET REED BLOCK FR125	29	EPRCP250521
GASKET REED BLOCK .032"/0.8mm	29	EPRCP250521
GASKET REED BLOCK 0.042"/1.04mm	29	EPRCP250521
GASKET REED BLOCK 0.080"/2.0mm	29	EPRCP250521
REED VALVE BLOCK ASSEMBLY	30	EPRCP224287
REED PETAL	32	EPRCP224430
REED PETAL SCREW M3X6	33	EPRCP941206
CARBURETOR / ENGINE FLANGE	34	EPRCP267915
CARBURETOR FLANGE CLAMP	36	EPRCP251271
EXHAUST SOCKET GASKET	39	EPRCP250271
EXHAUST SOCKET GASKET AGS	39	EPRCP250271A
EXHAUST SOCKET ASSEMBLY	40	EPRCP270970
THERMOSTAT	42	EPRCH613107
THERMOSTAT HOLDER	43	EPRCH613108
THERMO RETAINING SPRIND	44	EPRCH613109
THERMO SECURING BRACKET	45	EPRCH613110
THERMO BRACKET SCREW	46	EPRCH613111
THERMO UP GRADE		EPRRA10KIT

Notes

Upgrade kit consists of the following parts:
 1-EPRCH613106T Cylinder Head Water Cover
 1-EPRCH922620T Straight Water Fitting
 1-EPRRA09C Hose Clip
 3-EPRRA09 Hose Clips
 1-EPRRA02 Special Nut 8mm

1-EPRRA01T Mounting Bracket
 2-EPRRA08T 90 Deg Hoses
 1-EPRRA06T Radiator Assy.
 1-NBC875 Cap Head Bolt
 1-NBC813 Cap Head Bolt
 3-NBC620 Cap Head Bolts

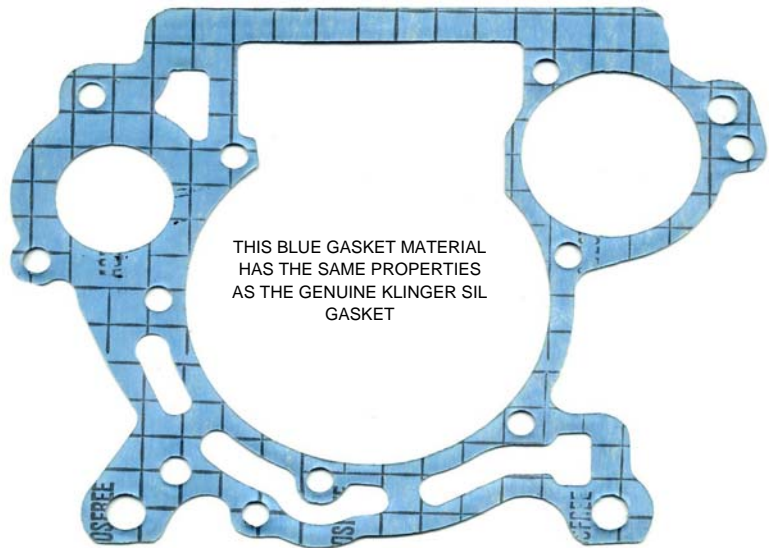
3-NBNL6 Nuts

ROTAX 125 MAX ENGINE GASKETS

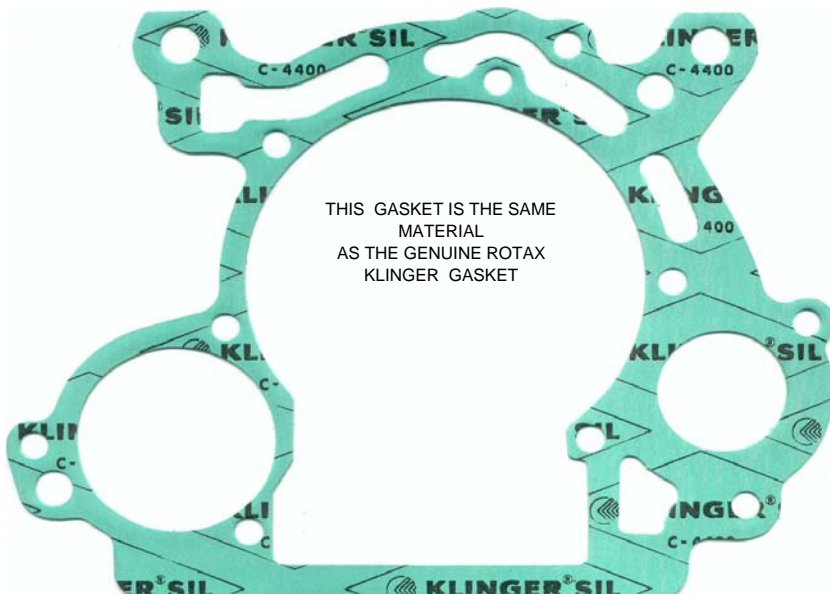
CYLINDER BASE GASKET

GASKET COMES IN DIFFERENT THICKNESS'S

- 0.003" / .075mm **EPRCP650478A** [GREEN SHIM]
- 0.003" / .075mm **EPRCP650478A** [NOMEX SHIM]
- 0.005" / .125mm **EPRCP650479A** N/ GEN.ELEPHANTIDE
- 0.011" / .27mm **EPRCP650480** GREEN
- 0.012" / .3mm **EPRCP650480A** NON GEN.BLUE
- 0.016" / .4mm **EPRCP650481A** NON GEN.BLUE
- 0.016" / .4mm **EPRCP650481** GREEN
- 0.017" / .45mm **EPRCP650481A** NON GEN. BLUE
- 0.032" / .8mm **EPRCP650482** GREEN
- 0.032" / .8mm **EPRCP650482A** NON GEN. BLUE



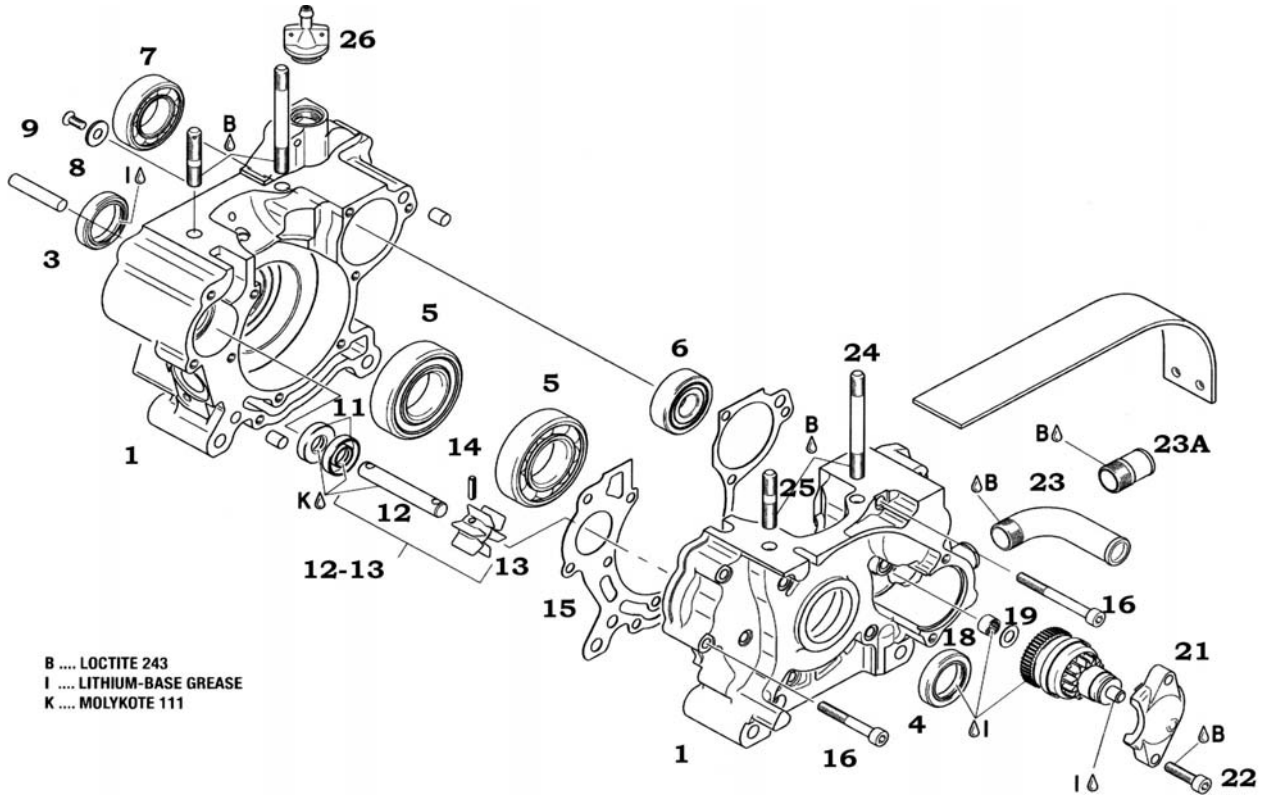
0.016" / .4mm **EPRCC6504901** NON GEN.BLUE



CRANKCASE GASKET

EPRCC650490 [Genuine GREEN]
 0.020" / .5mm **EPRCC650490** GREEN

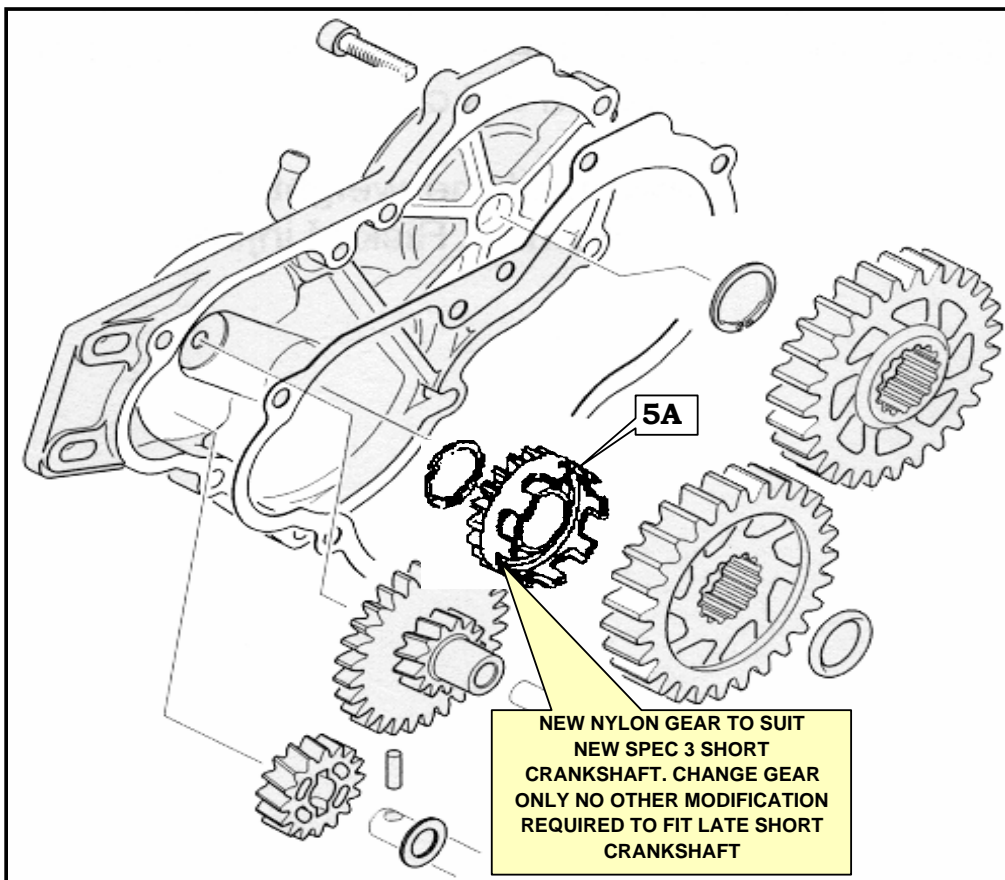
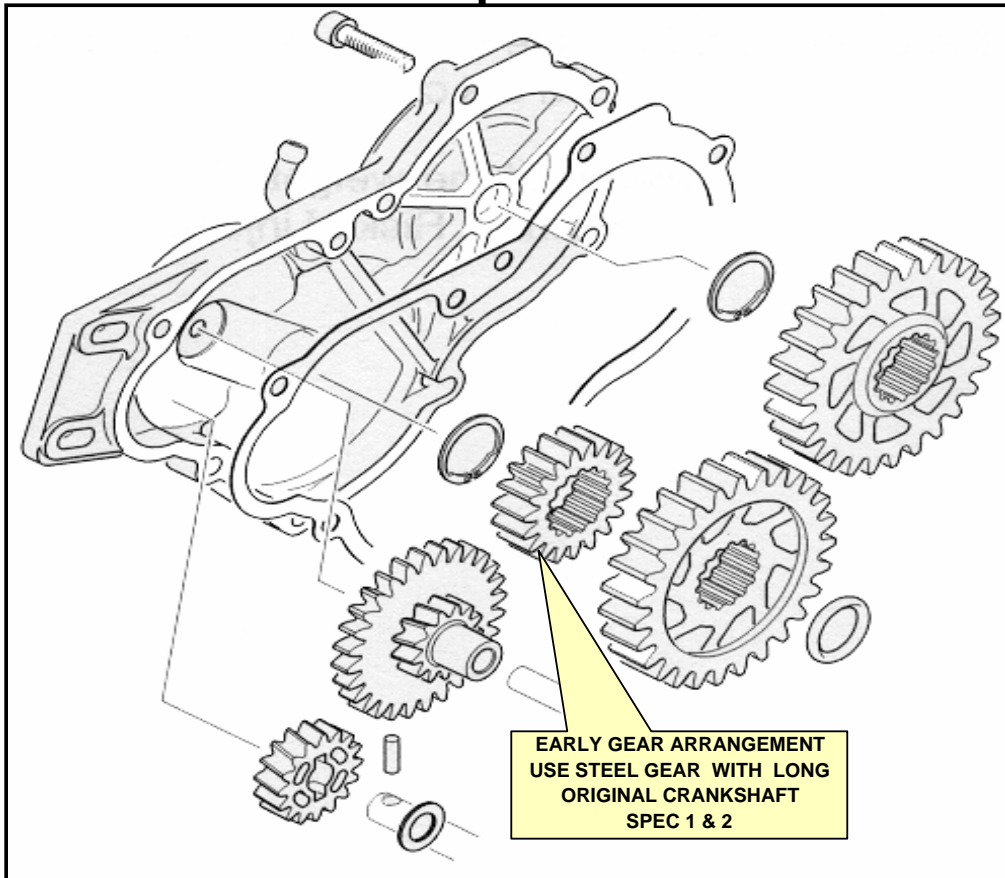
ROTAX 125 MAX CRANKCASE



B LOCTITE 243
I LITHIUM-BASE GREASE
K MOLYKOTE 111

ENGINE PARTS ROTAX	F I G	ROTAX FR125 MAX AGS P/NUMBER	ROTAX FR125 MAX ROTAX P/NUMBER
CRANKCASE PARTS			
CRANKCASE COMP.	1	EPRCC650490B	295811
SEAL 28X38X7 GEARBOX SIDE	3	EPRCC230425	230425
SEAL 28X38X7 GEARBOX SIDE [AGS]	3	EPRCC230425A	
SEAL 25X38X7 CLUTCH SIDE	4	EPRCC930675	930675
SEAL 25X38X7 CLUTCH SIDE [AGS]	4	EPRCC930675A	
BEARING 6206 TN9/C3 MAIN 30-62-16	5	EPRCC932588	832592
BEARING 6206 TN9/C4 MAIN 30-62-16 [AGS]	5	EPRCC932588AGS	
SHIM MAIN BEARING .1MM		EPILX30CC030	
SHIM MAIN BEARING .15MM		EPILX30CC030A	
BEARING 6302 SML. STARTER	6	EPRCC232291	232291
BEARING 6302 TN9/C3 SML. STARTER [AGS]	6	EPRCC232291AGS	
BEARING 6005 LARGE STARTER	7	EPRCC232340	232340
BEARING 6005 TN9/C3 LARGE STARTER [AGS]	7	EPRCC232340AGS	
BEARING RETAINER WASHER	8	EPRCC227280	227280
BEARING RETAINER SCR. 5X12	9	EPRCC940315	940315
IDLER GEAR LOCATING PIN 6X40	10	EPRCC229380	229380
SEAL W/ PUMP SHAFT 10X26X7	11	EPRCC230195	230196
SEAL W/ PUMP SHAFT 10X26X7 [AGS]	11	EPRCC230195A	
WATER PUMP SHAFT & IMPELLER	12-13	EPRCC220510	220515
SPRING PIN 4X16 IMPELLER			
GASKET CRANKCASE GREEN	15	EPRCC650490	650490
GASKET CRANKCASE [AGS .40MM] BLUE	15	EPRCC6504901	
STARTER GEAR BUSH 8X12X8	18	EPRCC232275	232275
START GEAR T/WASH 8.1X15X.5	19	EPRCC227945	227945
STARTER GEAR ASSEMBLY CAN USE LEOPARD DRIVE	20	EPRCC294810 EPILIS154	294810
REDUCTION GEAR COVER	21	EPRCC210345	210345
SOCKET 90 DEGREE ALLOY	23	EPRCH922620	922620
CYLINDER STUD LONG 8X57	24	EPRCC940786	940786
CYLINDER STUD SHORT 8X28	25	EPRCC241381	241381
OIL FILLER CAP	26	EPRCC241925	241925
Notes			

ROTAX 125 MAX Spec 3 Crankshaft Gears

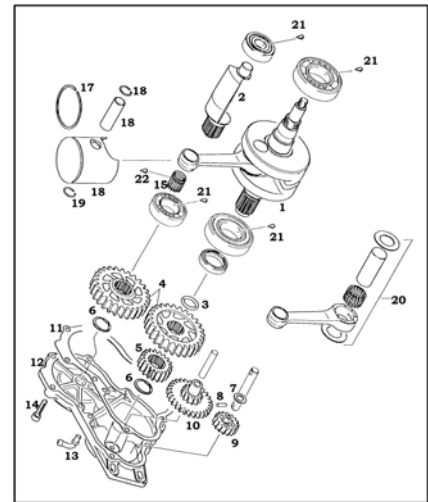


Rotax Gasket-Seal Set

Crankcase & Gear Case

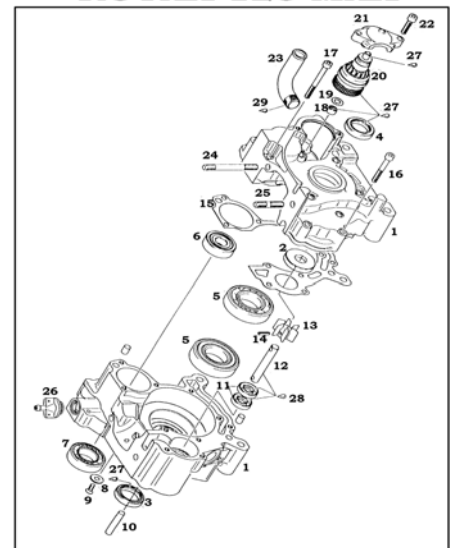


ROTAX 125 MAX



CRANKSHAFT SCHEMATICS

ROTAX 125 MAX



CRANKCASE SCHEMATICS

SET Part Number **EPRCC650470B**
Part Number

CONTENTS

CRANKCASE GASKET	EPRCC6504901
GEAR COVER GASKET	EPRCS650470A
SEAL GEAR CASE TEFLON	EPRCC230425
SEAL CLUTCH SDE TEFLON	EPRCC930675
SEAL WATER PUMP	EPRCC230195
O RING	EPRCS430460

Rotax Gasket-Seal Set

Crankcase & Gear Case



SET Part Number **EPRCC650470B**

CONTENTS

Part Number

CRANKCASE GASKET

EPRCC6504901

GEAR COVER GASKET

EPRCS650470A

SEAL GEAR CASE TEFLON

EPRCC230425

SEAL CLUTCH SDE TEFLON

EPRCC930675

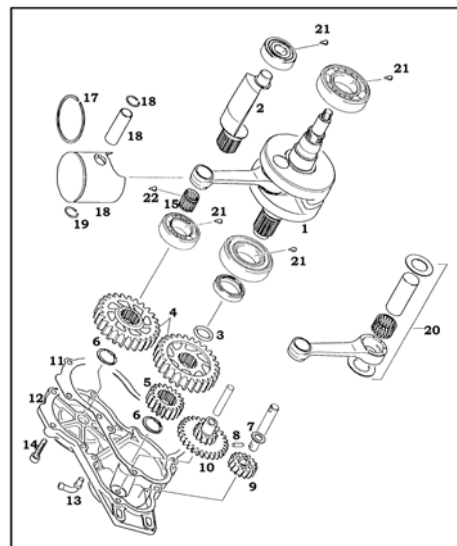
SEAL WATER PUMP

EPRCC230195

O RING

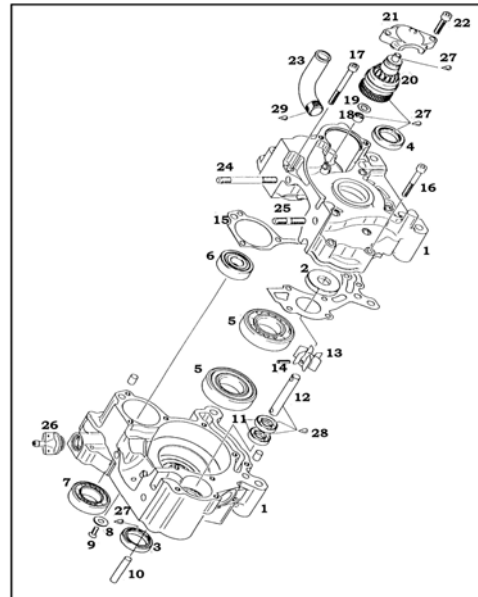
EPRCS430460

ROTAX 125 MAX



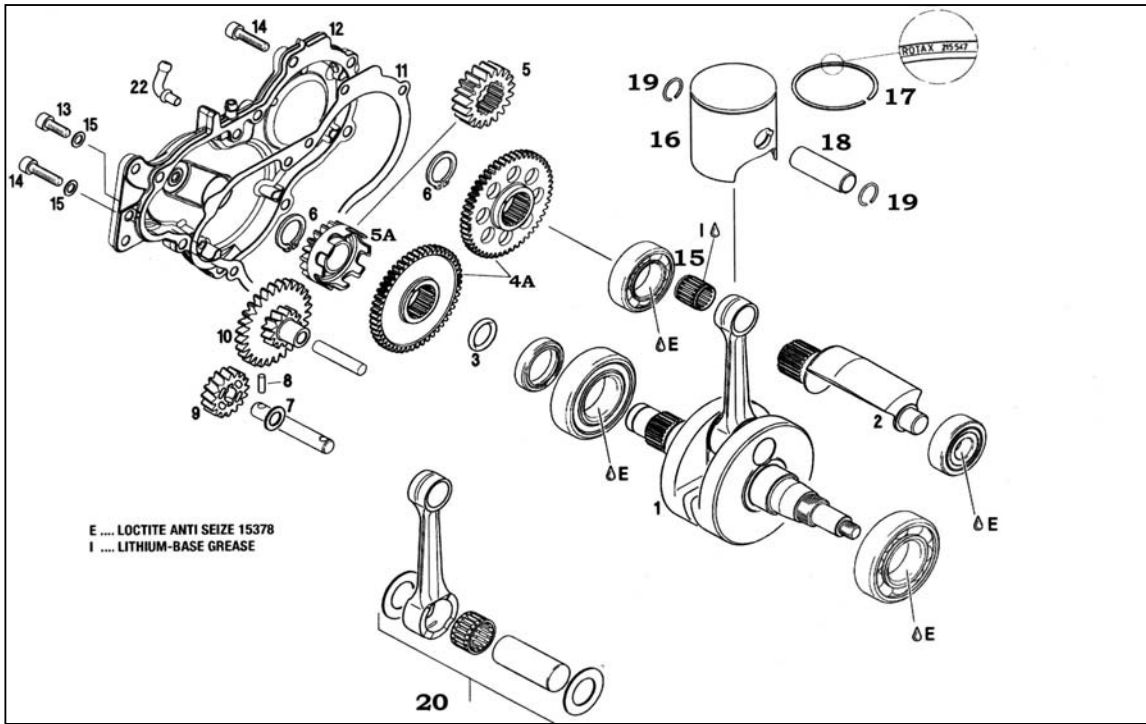
CRANKSHAFT SCHEMATICS

ROTAX 125 MAX



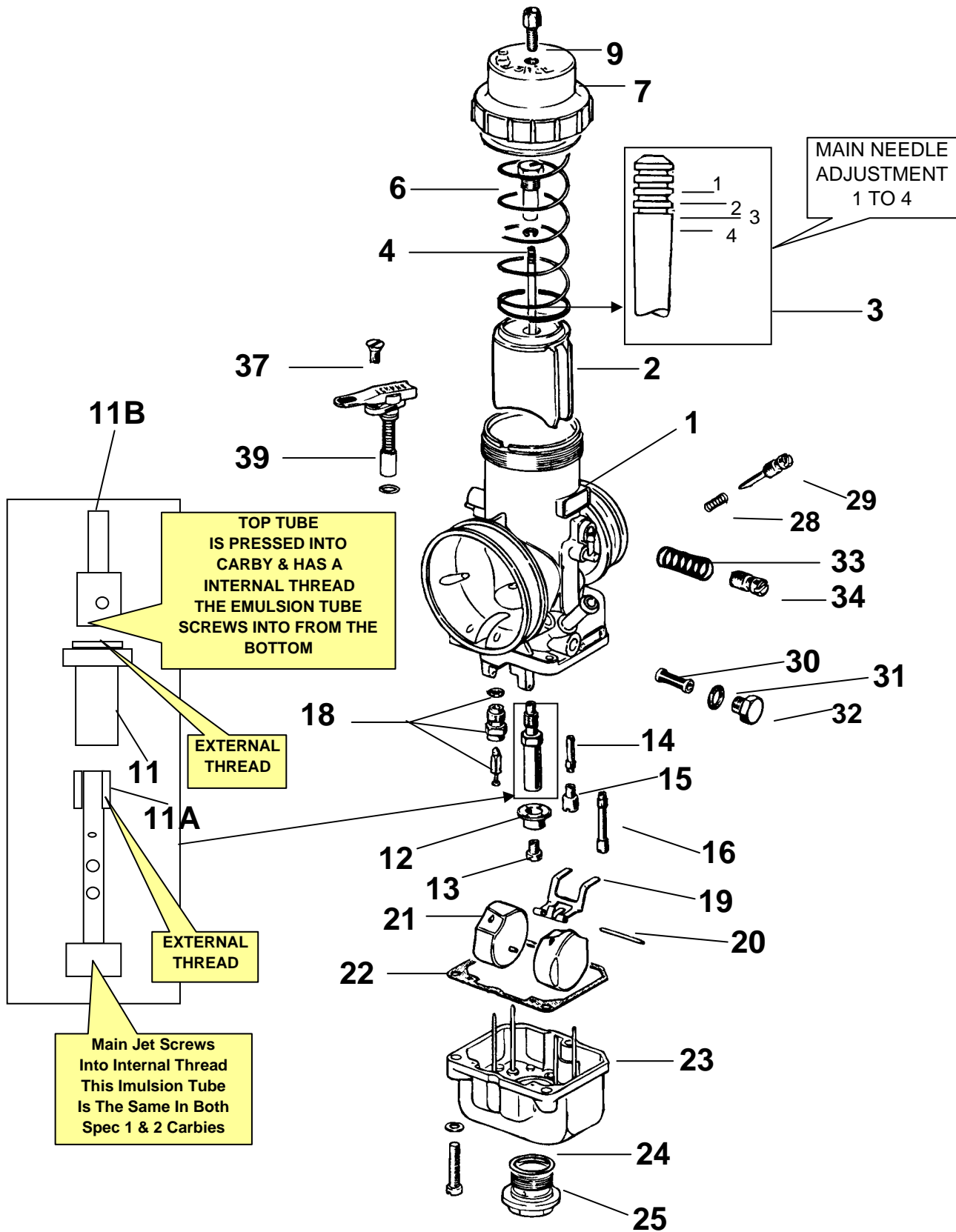
CRANKCASE SCHEMATICS

ROTAX 125 MAX CRANKSHAFT



ENGINE PARTS ROTAX	FIG G		ROTAX FR125 MAX AGS P/NUMBER	ROTAX FR125 MAX ROTAX P/NUMBER
CRANKSHAFT PARTS				
CRANKSHAFT ASSEMBLY	1		EPRCS295869	295876
BALANCE SHAFT	2		EPRCS237945	237948
MAIN BEARING O RING 19X3.5	3		EPRCS430460	430460
BALACING GEAR 27 T PLASTIC	4	NLA [LIMITED STOCK]	EPRCS234431	234431
BALACING GEAR 27 T STEEL 2009 ON	4A		EPRCS234436	234436
DRIVE GEAR 19T steel [ORIGINAL]	5		EPRCS634421	634421
DRIVE GEAR 19T plastic	5A		EPRCS634421A	635850
DRIVE GEAR CIRCLIP	6	I.D. 18.5 X 1.2MM	EPRCS245650	245650
WATER PUMP PINION THRUST				
WASHER 10.1/17/1	7		EPRCS827590	232690
WATER PUMP SHAFT NEEDLE				
PIN 4X15.8	8		EPRCS232730	232730
WATER PUMP PINION 16T	9		EPRCS234415	234415
IDLER GEAR 28/13T	10		EPRCS634035	634035
GEARBOX COVER GASKET GREEN	11	AGS	EPRCS650470	
GEARBOX COVER GASKET BLUE	11	AGS	EPRCS650470A	
GEARBOX COVER	12		EPRCS211870	211871
IMPLUSE FITTING	13		EPRCS924520	924520
LITTLE END ROLLER CAGE	15	GENUINE	EPRCS932028	932026
LITTLE END ROLLER CAGE	15	THOMPSON [JAPANESE]	EPRCS932028A	KARTECH
PISTON & RING 53.97	16-17	RED STD.	EPRCS295485A	296292
PISTON & RING 53.97 ITALSPORT	16-17	STD.	EPRCS295485B	
PISTON & RING 53.98 OVERSIZE	16-17	GREEN 1st O/S	EPRCS295487	296393
PISTON & RING 53.98 ITALSPORT	16-17	1st O/S	EPRCS295487B	
PISTON & RING 53.99 OVERSIZE	16-17	YELLOW 2nd O/S	EPRCS295486	296291
PISTON & RING 53.99 ITALSPORT	16-17	LARGEST	EPRCS295486B	
PISTON & RING 54.00 OVERSIZE	16-17	3rd O/S	EPRCS295486	296294
PISTON RING GENUINE	17			
[ONE RING SUITS ALL SIZES]	17	GENUINE	EPRCS215545	215547
PISTON RING ITALSPORT	17			
[ONE RING SUITS ALL SIZES]	17		EPRCS215545A	
PISTON PIN GENUINE	18		EPRCS216135	216135
PISTON PIN ITALSPORT	18	NON GENUINE	EPRCS216135	
CIRCLIP FOR PISTON	19		EPRCS945635	945635
CONROD BEARING			EPGBE354X30	
CONROD ASSEMBLY BEAR/PIN/WASHERS	20		EPRCS295874	295879
GEARCASE 6MM COPPER WASHER			EPRCS211870A	

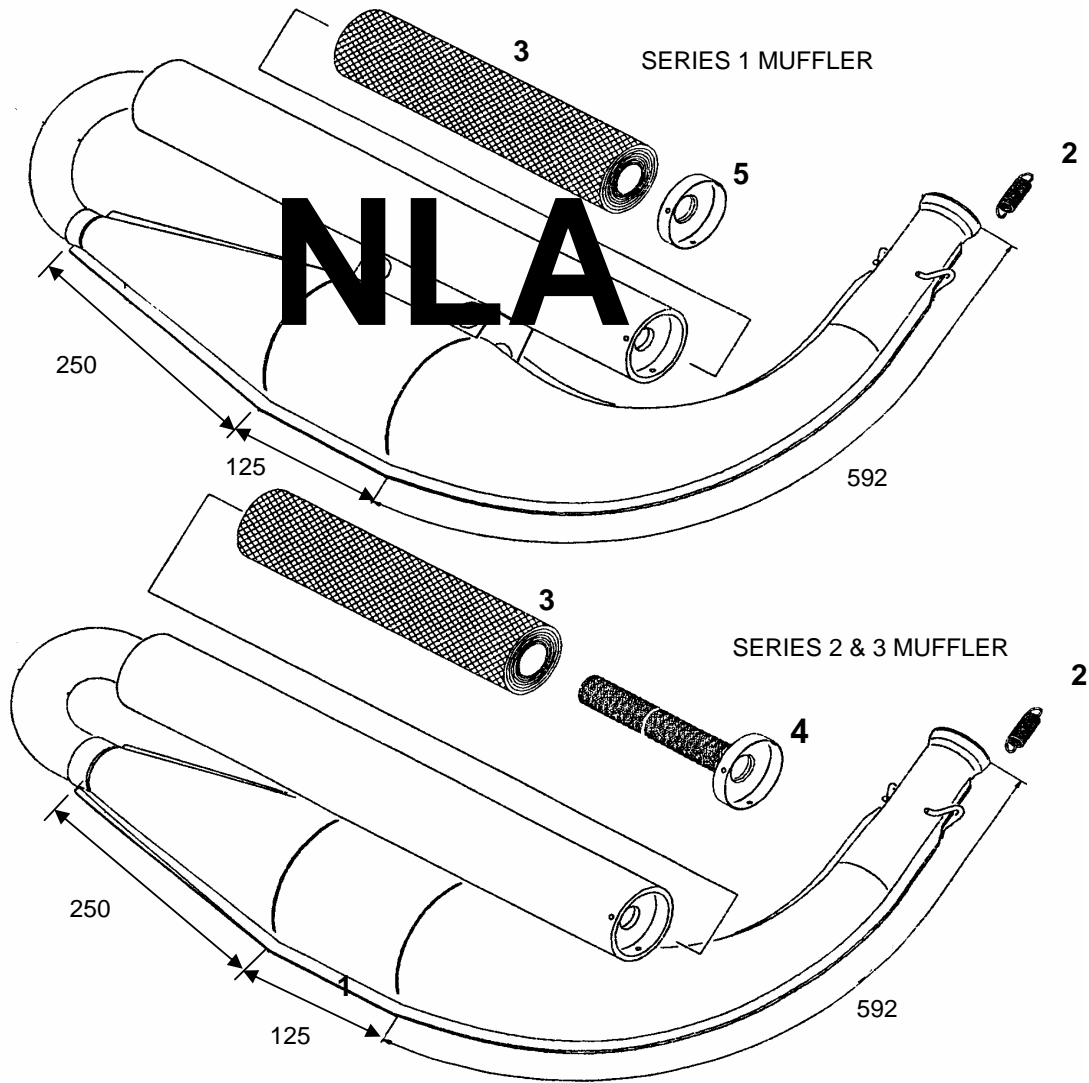
ROTAX 125 MAX



CARBURETOR SCHEMATRICS

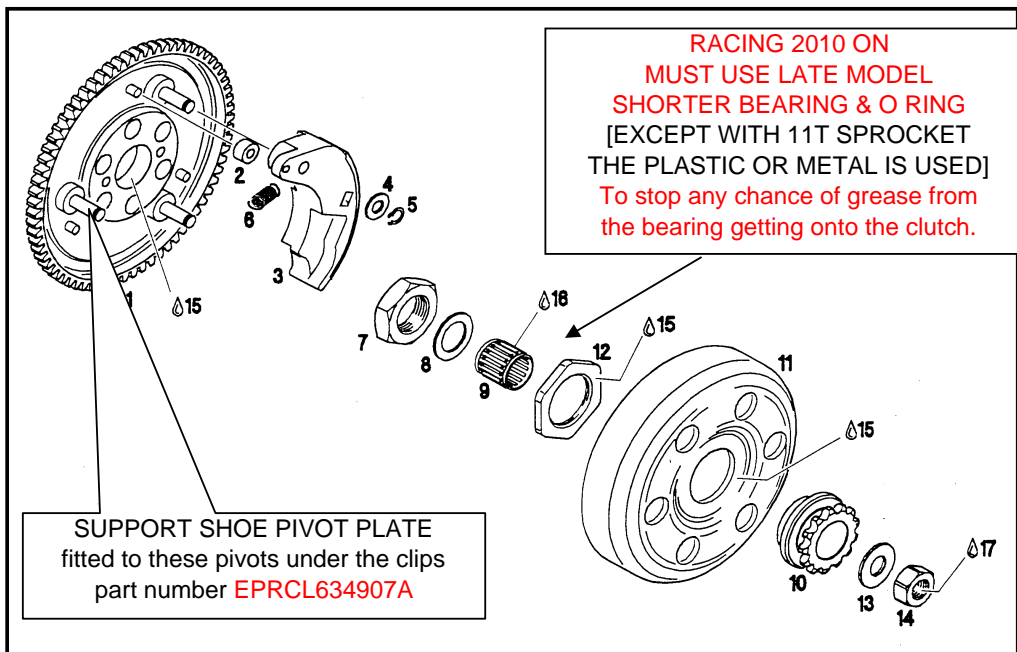
ENGINE PARTS		F I G		ROTAX	ROTAX
ROTAX FM125 MAX				FR125 MAX	FR125 MAX
CARBURETOR				AGS P/NUMBER	DPE P/NUMBER
CARBURETOR VHSB 34	1			EPRCA295990	ERWCA10
KIT O RING CARBURETOR	40			EPRCA295990B	ERWCA40
FUEL PUMP				EPRCA994482	994483
FUEL PUMP KIT				EPRCA994482A	296165
ALLOY SLIDE	2			EPRCA295992	ERWCA14
CARBURETOR NEEDLE [K54] SPEC 1	3			EPRCA295993	ERWCA15
CARBURETOR NEEDLE [K98] SPEC 3	3		Note [2]	EPRCA295994	ERWCA16C
CARBURETOR NEEDLE [K27/2] SP/2	3			EPRCA261300	ERWCA16B
CIRCLIP FOR NEEDLE	4			EPRCA652	ERWCA25
SPRING SLIDE CARBY	6			EPRCA653	ERWCA26
PLASTIC TOP CARBY	7			EPRCA650	ERWCA23
ADJUSTER CABLE TOP CARB	9			EPRCA295991	ERWCA13
ATOMISER TUBE CENTRE SECTION	11		[25mm EX. THREAD]	EPRCA295995	ERWCA17
ATOMISER TUBE 2 TOP PRESS IN	11A		[WITH NOTCH]	EPRCA295995A	ERWCA17A [Note[1]]
ATOMISER TUBE W/CROSS HOLES	11B		[BOTH SPEC 1&2]	EPRCA295995B	ERWCA17B
FUEL SURGE CAP	12			EPRCA660	ERWCA33
CARBURETOR MAIN JET -150	13			EPRCA261812	ERWCA001
CARBURETOR MAIN JET -152	13			EPRCA261813	ERWCA0002
CARBURETOR MAIN JET -155	13			EPRCA261814	ERWCA0003
CARBURETOR MAIN JET -158	13			EPRCA261815	ERWCA0004
CARBURETOR MAIN JET -160	13			EPRCA261816	ERWCA001
CARBURETOR MAIN JET -162	13			EPRCA261817	ERWCA002
CARBURETOR MAIN JET -165	13			EPRCA261818	ERWCA003
CARBURETOR MAIN JET -168	13			EPRCA261819	ERWCA004
CARBURETOR MAIN JET -170	13			EPRCA261820	ERWCA01
CARBURETOR MAIN JET -172	13			EPRCA261821	ERWCA02
CARBURETOR MAIN JET -175	13			EPRCA261822	ERWCA03
CARBURETOR MAIN JET -178	13			EPRCA261823	ERWCA04
CARBURETOR MAIN JET -180	13			EPRCA261824	ERWCA05
CARBURETOR MAIN JET -182	13			EPRCA261993	ERWCA06
CARBURETOR MAIN JET -185	13			EPRCA261825	ERWCA07
PILOT JET 60 EMULSION INSERT [SPEC 1 CARBY.]	14		Note [2]	EPRCA295996	ERWCA18
PILOT JET 30 EMULSION INSERT [SPEC 2 CARBY.]	14			EPRCA295997	ERWCA18B
PILOT JET 70 EMULSION INSERT	14		Note [2]	EPRCA295996A	
JET PILOT SIZE 60 [SPEC 1]	15			EPRCA295998	ERWCA19
JET PILOT SIZE 30 [SPEC 2]	15		Note [2]	EPRCA295999	ERWCA20B
CHOKE JET	16			EPRCA296100	ERWCA21
CARBURETOR NEEDLE & SEAT 150	18			EPRCA262250	ERWCA12A
FLOAT ARM CARBY	19			EPRCA657	ERWCA30/261290
PIN FLOAR ARM CARBY	20			EPRCA656	ERWCA20/229271
FLOAT WHITE 3.6 GRAM [SPEC 1]	21		Note [2]	EPRCA296101	
FLOAT WHITE 5.2 GRAM [SPEC 2]	21		Note [2]	EPRCA296102	ERWCA22B
FUEL BOWL CARBY	23			EPRCA658	ERWCA31
DRAIN PLUG FUEL BOWL CARBY	25			EPRCA659	ERWCA32
AIR MIX SPRING CARBY	28			EPRCA661	ERWCA34
AIR MIX SCREW CARBY	29			EPRCA662	ERWCA35
FUEL FILTER INLET	30			EPRCA665	ERWCA38
RETAINER FOR FILTER INLET	32			EPRCA666	ERWCA39
IDLE SPRING CARBY				EPRCA663	ERWCA36
IDLE SCREW CARBY				EPRCA664	ERWCA37
SCREW CHOKE ASSEMBLY	37			EPRCA654	ERWCA27
CHOKE ASSEMBLY	39			EPRCA655	ERWCA28
Notes [1]		Note [2] 2012 new reulations			
ONLY SPEC 2 IS AVAILABLE NOW		12.5 Venturi must use 5.2 gram floats,30 emulsion insert,30 pilot jet			
VENT HOSE EPRCA296102H		and K98 needle.			
		8.5 Venturi must use 3.6 gram floats,60 emulsion insert,60 pilot jet			
		and K98 needle.			

ROTAX 125 MAX EXHAUST



ENGINE PARTS ROTAX 125 MAX	FIG	ROTAX FR125 MAX AGS P/NUMBER	ROTAX FR125 MAX ROTAX P/NUMBER
EXHAUST SYSTEM			
EXHAUST MUFFLER ASSEMBLY	1	EPREX273070	273074
MUFFLER END COVER SPEC. 2	4	EPREX270070B	273093
ISOLATING PACKING MATT	3	EPREX270070C	297981
SPRING EXHAUST TO ENGINE	2	EPREX938795	938795
Notes 1 Series 1 muffler not available			

ROTAX 125 CLUTCH SCHEMATICS PRE 2009



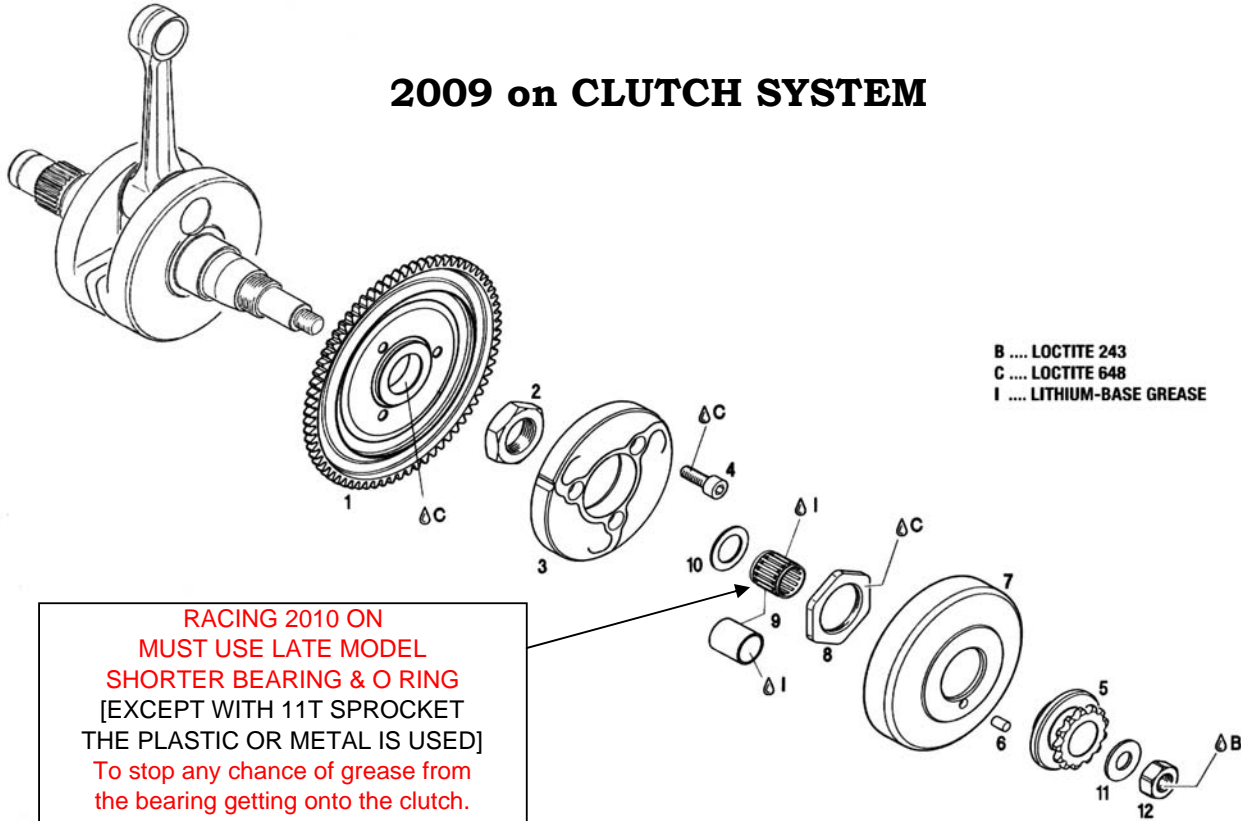
ENGINE PARTS ROTAX 125 MAX	F I G	ROTAX FR125 MAX AGS P/NUMBER	ROTAX FR125 MAX ROTAX P/NUMBER
CENTRIFUGAL CLUTCH			
CLUTCH STARTER GEAR	1-6	EPRCL634907	634909
CLUTCH S/GEAR BARE N/GEN	1	EPRCL634906	
SUPPORT PLATE 1.2mm THICK		EPRCL634907A	251674
FLY WEIGHT & LINING	3	EPRCL659212	659213
CLUTCH SPRING KIT	2-6	EPRCL238010	281431
CLUTCH NUT 20 X1.5	7	EPRCL842310	892314
CLUTCH BEARING WASHER	8	EPRCL927050	927057
CLUTCH BEARING 15X19X17	9	EPRCL932028A	
CLUTCH O RING 12 X 2.5		EPRCL932028B	
CLUTCH metal bush 15X19X20	9	EPRCL2362171	
CLUTCH 10T SPROCKET non genuine	10	EPRCL236217A2	
CLUTCH 11T SPROCKET	10	EPRCL236217A	ERWCL06S
CLUTCH 11T SPROCKET ECONO	10	EPRCL236217A1	SPBR11
CLUTCH 12T SPROCKET	10	EPRCL236215	EPWCL07
CLUTCH 12T SPROCKET ECONO	10	EPRCL236215A	SPBR12
CLUTCH 13T SPROCKET	10	EPRCL236216	ERWCL08
CLUTCH 13T SPROCKET ECONO	10	EPRCL2362161	SPBR13
CLUTCH 14T SPROCKET	10	EPRCL236216A	ERWCL084
CLUTCH 14T SPROCKET ECONO	10	EPRCL236216A1	SPBR14
CLUTCH 15T SPROCKET	10	EPRCL236216B	
CLUTCH 15T SPROCKET ECONO	10	EPRCL236216B1	SPBR15
CLUTCH 16T SPROCKET	10	EPRCL236216C	
CLUTCH 16T SPROCKET ECONO	10	EPRCL236216C1	SPBR16
BUSH CLUTCH 11T SPROCKET		EPRCL2636217	ERWBE03B
KIT 11T SPROCKET INC BUSH/WASH		EPRCL236217B	ERWCL06SK
CLUTCH DRUM	11	EPRCL659152	659154
CLUTCH DRUM Non/Gen ITAL	11	EPRCL659152A	
DRIVE SPROCKET LOCK NUT	12	EPRCL242920	242925
DRIVE SPROCKET WASHER 12T	13	EPRCL627340	627340
DRIVE SPROCKET WASHER 11T	13	EPRCL236217B1	627345
CLUTCH LOCK NUT 10MM	14	EPRCL942950	942950
CLUTCH SPROCKET PIN		EPRCL232365	232365

Notes

ECONO SPROCKETS COME WITH NUT & PIN
10T SPROCKET INCLUDES BRONZE BUSH EPRCL236217A2

ROTAX 125 CLUTCH SCHEMATICS

2009 on CLUTCH SYSTEM



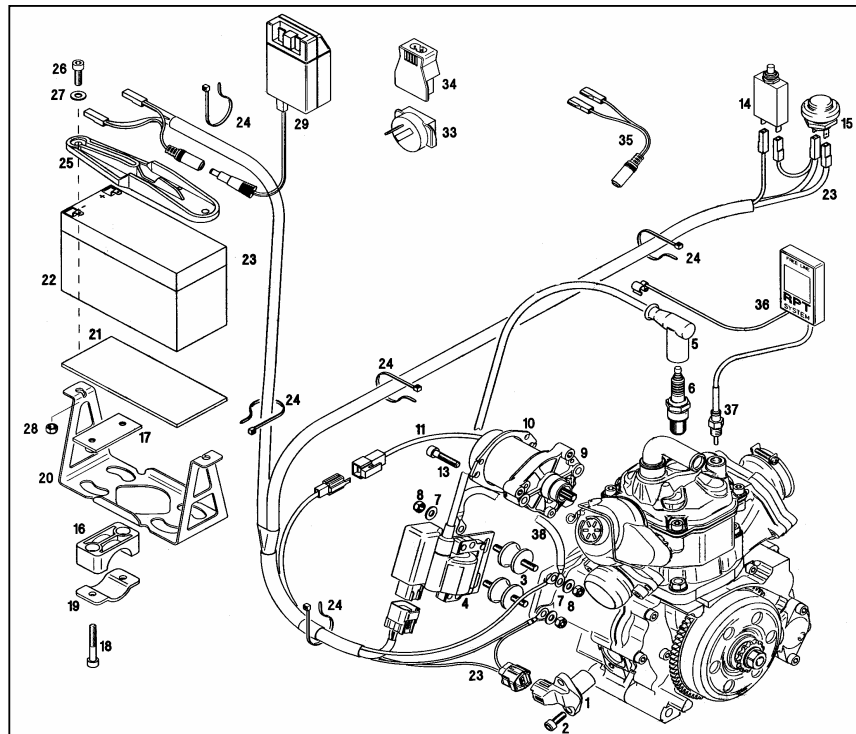
**RACING 2010 ON
MUST USE LATE MODEL
SHORTER BEARING & O RING**
[EXCEPT WITH 11T SPROCKET
THE PLASTIC OR METAL IS USED]
To stop any chance of grease from
the bearing getting onto the clutch.

ENGINE PARTS ROTAX 125 MAX	F I G	ROTAX FR125 MAX AGS P/NUMBER	ROTAX FR125 MAX DPE or ROTAX P/NUMBER
CENTRIFUGAL CLUTCH			
CLUTCH STARTER GEAR	1	EPRCL434840	434840
CLUTCH NUT 20 X1.5	2	EPRCL842314	842314
CLUTCH BEARING WASHER	3	EPRCL659902	659902
CLUTCH 10T SPROCKET non genuine	5	EPRCL236217A2	DINKI DI
CLUTCH 11T SPROCKET	5	EPRCL236217A	236418
CLUTCH 11T SPROCKET ECONO	5	EPRCL236217A1	SPBR11
CLUTCH 12T SPROCKET	5	EPRCL236215	236415
CLUTCH 12T SPROCKET ECONO	5	EPRCL236215A	SPBR12
CLUTCH 13T SPROCKET	5	EPRCL236216	236416
CLUTCH 13T SPROCKET ECONO	5	EPRCL2362161	SPBR13
CLUTCH 14T SPROCKET	5	EPRCL236216A	236418
CLUTCH 14T SPROCKET ECONO	5	EPRCL236216A1	SPBR14
CLUTCH 15T SPROCKET	5	EPRCL236216B	236850
CLUTCH 15T SPROCKET ECONO	5	EPRCL236216B1	SPBR15
CLUTCH 16T SPROCKET	5	EPRCL236216C	236851
CLUTCH 16T SPROCKET ECONO	5	EPRCL236216C1	SPBR16
CLUTCH SPROCKET PIN	6	EPRCL232365	323365
BUSH CLUTCH 11T SPROCKET	6	EPRCL2636217	233850
KIT 11T SPROCKET INC BUSH/WASH		EPRCL236217B	
DRIVE SPROCKET LOCK NUT	8	EPRCL242920	242925
CLUTCH BEARING 15X19X17	9	EPRCL233850	233850
O RING [SEAL BEARING] 12 X 2.5mm		EPRCL932028B	
CLUTCH metal bush 15X19X20	9	EPRCL2362171	
CLUTCH BEARING WASHER	10	EPRCL927050	927057
DRIVE SPROCKET WASHER	11	EPRCL627340	627340
CLUTCH LOCK NUT 10MM	12	EPRCL942950	942950

Notes

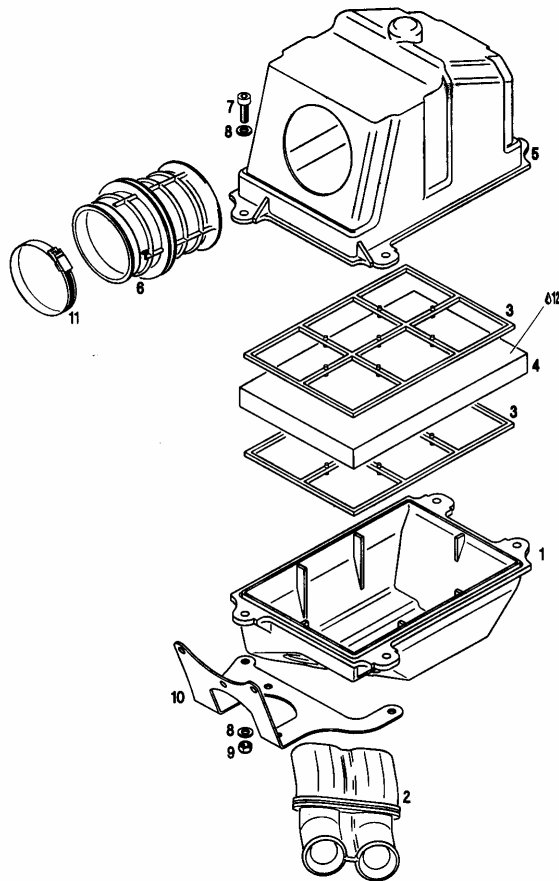
ECONO SPROCKETS COME WITH NUT & PIN
10T SPROCKET INCLUDES BRONZE BUSH EPRCL236217A2

ROTAX MAX 125 ELECTRICS

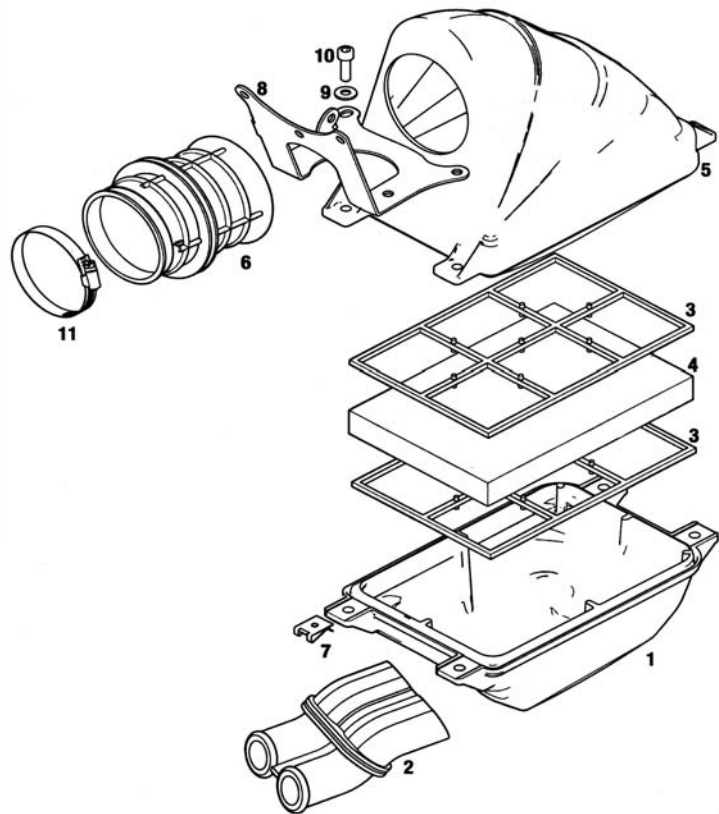


ENGINE PARTS ROTAX FR125 MAX	F I G	ROTAX FR125 MAX AGS P/NUMBER	ROTAX FR125 MAX DPE P/NUMBER
IGNITION-STARTER-BATTERY			
IGNITION TIMING PICKUP	1	EPRIS265560	265560
COIL RUBBER MOUNT 25X20X6	3	EPGC042	260657
IGNITION COIL NEW SPEC	4	EPRIS265572	265572
SPARK PLUG CAP	5	SP012	NGK
STARTER MOTOR ASSEMBLY [MITSUBA] GENUINE	9	EPRIS294800	294801
STARTER MOTOR ASSEMBLY ITALSPORT	9	EPRIS294800B	ERWST05A
STARTER MOTOR ASSEMBLY YAMAHA [MITSUBA]	9	EPY960	
STARTER REPAIR KIT [ITALSPORT]	9A	EPRISKIT ITAL	
STARTER REPAIR KIT [MITSUBA] GENUINE	9A	EPRISKIT	
STARTER MOTOR SUPPORT	10	EPRIS294800A	251670
IGNITION ON/OFF SWITCH [NOTE 2]	11	EPRIS265590	265592
CABLE STARTER MOTOR	11A	EPRIS294800L	265530
START BUTTON SWITCH	12	EPRIS265580	265580
RECHARGABLE 12V BATTERY GENUINE	13	GABATTERY/ROTAX	265514
RECHARGABLE 12V BATTERY NON GENUINE	13	GABATTERY/R	
CABLE HARNESS COMPLETE 2006 ON	23	EPRIS265145	266125
CLAMP ASSEMBLY 32mm CHASSIS	16-19	EPRISBB2	251254
CLAMP PLASTIC INSERT LATE	16		
CLAMP SADDLE LATE	19	EPRISBB2A	
BATTERY CARRIER BASE LATE	20	EPRISBB1	241123
RUBBER BATTERY BOX LATE	21	EPRISBBR1	660767
BATTERY HOLD DOWN CLAMP LATE	25	EPRISBB3	660221
BATTERY CHARGER LATE	29	EPRISBC2	265147
ADAPTOR CHARGER LATE SERIES 3 ON	33	EPRISBBR1	266016
LEAD CHARGER OUT OF KART LATE	35	EPRISBD	266580
ALFANO PRO PLUS LV		GAT/A040	TIAP
ALFANO ASTRO LV		GAT/A040A	TIAA
WATER TEMP PROBE ALFANO PRO PLUS LV & ASTRO LV		GAT/A0411	TIAPWDC
TEMP EXTENSION LEAD		GAT/A042A	TIAAWTSR
Notes	Notes 2		
SERIES 3 BATTERY CHARGER REQUIRES EPRISBC2 X 1 EPRISBD X 1 EPRISBC3 X 1	EARLY TOGGLE SWITCH EPRIS265590 LATE SWITCH PUSH/PULL WITH FUSE EPRIS265590A		

ROTAX 125 AIRBOX



2008 on Type Airbox



ENGINE PARTS	F I G	ROTAX	ROTAX
ROTAX FR125 MAX		FR125 MAX	FR125 MAX
AIRBOX [INTAKE SILENCER]		AGS P/NUMBER	ROTAX P/NO
AIR BOX CASE BOTTOM	1	EPRAB225010	225010
AIR BOX CASE BOTTOM 2008 on	1	EPRAB225010A	225015
AIR BOX INTAKE TUBES	2	EPRAB225030	225030
HOLDER FOR FILTER ELEMENT	3	EPRAB225060	225060
FILTER ELEMENT FINE [ORIGINAL]	4	EPRAB225050	225050
FILTER ELEMENT COARSE	4	EPRAB225050A	
AIR BOX CASE TOP	5	EPRAB225020	225020
AIR BOX CASE TOP 2008 on	5	EPRAB225020A	225025
AIR BOX RUBBER FLANGE	6	EPRAB225040	225040
AIRBOX CLAMP RUBBER FLANGE	8	EPRAB225040A	225031
AIRBOX SUPPORT BRACKET	10	EPRAB225040B	224670

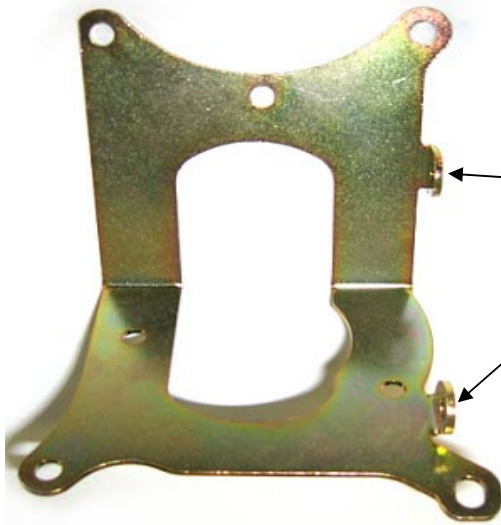
NEW INTAKE SILENCER FOR FR125 MAX and FR 125 JUNIOR MAX

New Air-Box or Intake Silencer



2007 intake silencer case bottom
2007 intake silencer case top

EPRAB225010A
EPRAB225020A



BRACKETS FOR OPTIONAL FUEL PUMP MOUNTING . IF YOU HAVE ENOUGH SPACE BETWEEN DRIVERS SEAT AND THE SUPPORT BRACKET YOU CAN INSTALL THE FUEL PUMP OPTIONALLY ON THE NEW SUPPORT BRACKET.

THE CURRENT FILTER HOLDERS & FILTERS WILL STAY THE SAME.

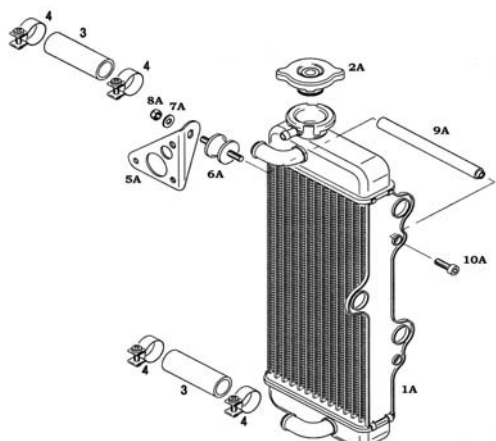
NEW SUPPORT BRACKET CANNOT REPLACE OLD SUPPORT BRACKET **EPRAB225040B [OLD]**

FOR THE NEW AIRBOX IT IS NECESSARY TO USE THE NEW SUPPORT BRACKET **EPRAB225040C [NEW]**

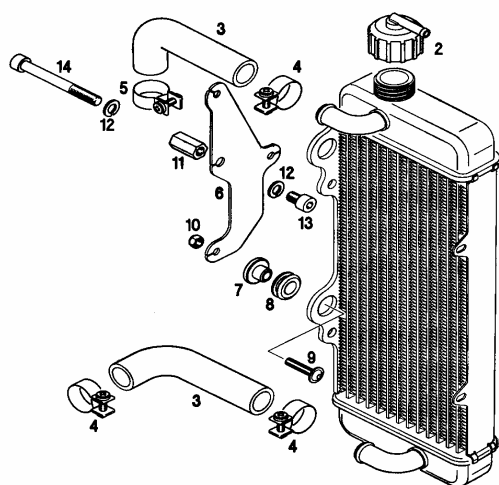
The new intake silencer features the following technical changes:

- > New improved space saving design.
- > Due to the new design of the new airbox the air flow to the radiator is less interfered , therefore engine cooling is improved.
- > New intake silencer interferes less with drivers seat.
- > Designed draining system for operation under wet conditions.
- > Easy assembly of bottom and top case by means of fixed nuts on the intake case bottom.
- > Intake tubes don't point in the direction of the rear tyres , therefore less influence of water spray from the rear tyre.

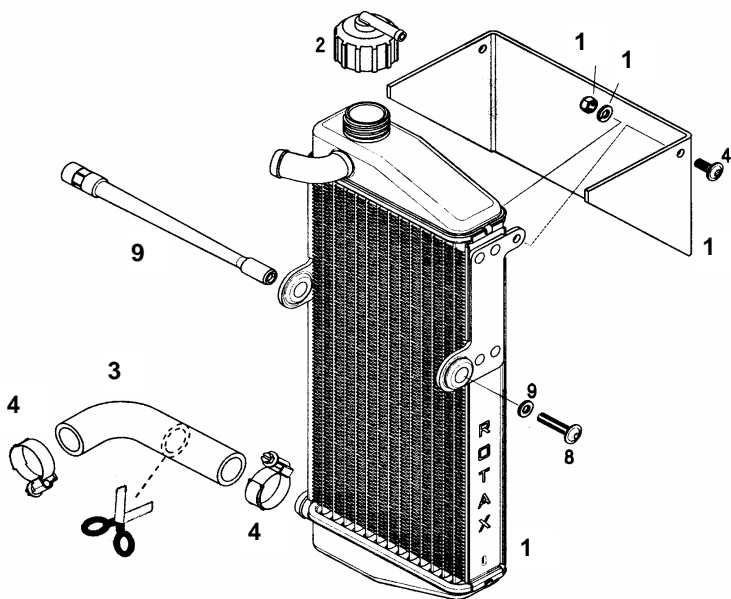
ROTAX MAX 125 Radiator



SERIES 1 RADIATOR WITHOUT THERMOSTAT



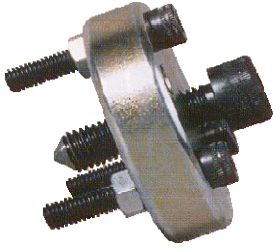
RADIATOR WITH THERMOSTAT



RADIATOR AFTER 2011

ENGINE PARTS ROTAX FR125 MAX	F I G	ROTAX FR125 MAX AGS P/NUMBER	ROTAX FR125 MAX ROTAX P/NUMBER
RADIATOR			
RADIATOR ASSY WITH CAP	1--2	EPRRA06	295920
RADIATOR/THERMO ASSY W/ CAP	1--2	EPRRA06T	295922
RADIATOR/THERMO ASSY W/ CAP 2011 ON	1A/B/C/D	EPRRA06TA	295958
RADIATOR COVER	1D		201220
RADIATOR CAP WITH GASKET	2	EPRRA07	922075
RADIATOR/THERMO CAP W/ GASK.	2	EPRRA07T	222750
RADIATOR HOSE 70MM LENGTH	3	EPRRA08	922256
RADIATOR HOSE 90 DEG WITH THERMOSTAT	3	EPRRA08T	222746
RADIATOR HOSE CLIP	4	EPRRA09D	222746
RADIATOR SUPPORT BRACKET EARLY	5A	EPRRAERWW01G	224660
RADIATOR HOSE CLIP	5	EPRRA09C	251225
RAD SUPPORT BRACKET LATE THERMOSTAT	6	EPRRAERWW02	224666
RUBBER MOUNT INSULATOR 25 X 20 X 6MM	6A	EPGC042	260657
WASHER MOUNTING	7A	NBW06	244211
RADIATOR MOUNTING SLEEVE	7	EPRRA01LS	229810
RAD SUPPORT BRACKET THERMOSTAT GROMMET	8	EPRRA01TG	660440
NUT 6MM MOUNTING	8A	NBNL06	842040
RAD SUPPORT ROD [NO THERMOSTAT]	9A	EPRRAERWW01GR	251260
RAD SUPPORT ROD W/THERMOSTAT 2011 ON	9B		651690
BOLT CAP HEAD 6 X 16MM	10	NBC616	241236
RADIATOR MOUNTING DISTANCE 8MM NUT	11	EPRRA02	842491
BOLT MOUNTING CAP HEAD 8 X 12MM	13	NBC812	841521
BOLT MOUNTING CAP HEAD 8 X 75MM	14	NBC875	841831
THERMOSTAT KIT UP GRADE TO THERMO MAX		EPRRA10KIT	281420

TOOLS ROTAX 125 MAX



EARLY ROTAX CLUTCH/STARTER GEAR PULLER
[3 SHOE TYPE CLUTCH]

part number **TL028**



GENUINE ROTAX RINGGEAR HOLDER
to lock engine so the drive nuts can be removed.

part number **TL012RL**



PISTON PIN CLIP INSTALLER 15mm CLIPS

part number **TLI183**



ROTAX DRIVE SPROCKET HOLDER
[11T , 12T , 13T , 14T , 15T & 16T]

part number **TL012RIL**



Piston stopper
[screws into the spark plug hole & locks the piston]

part number **TL012RIT**



Piston stopper
[screws into the spark plug hole & locks the piston]

part number **TL012RR**